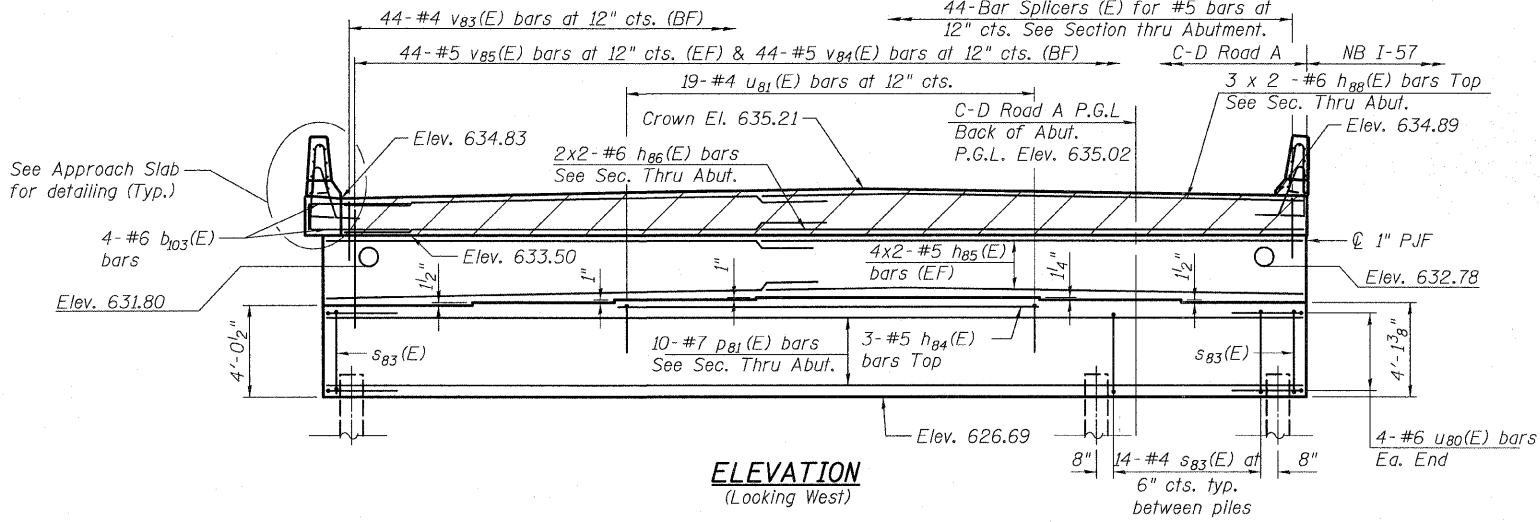
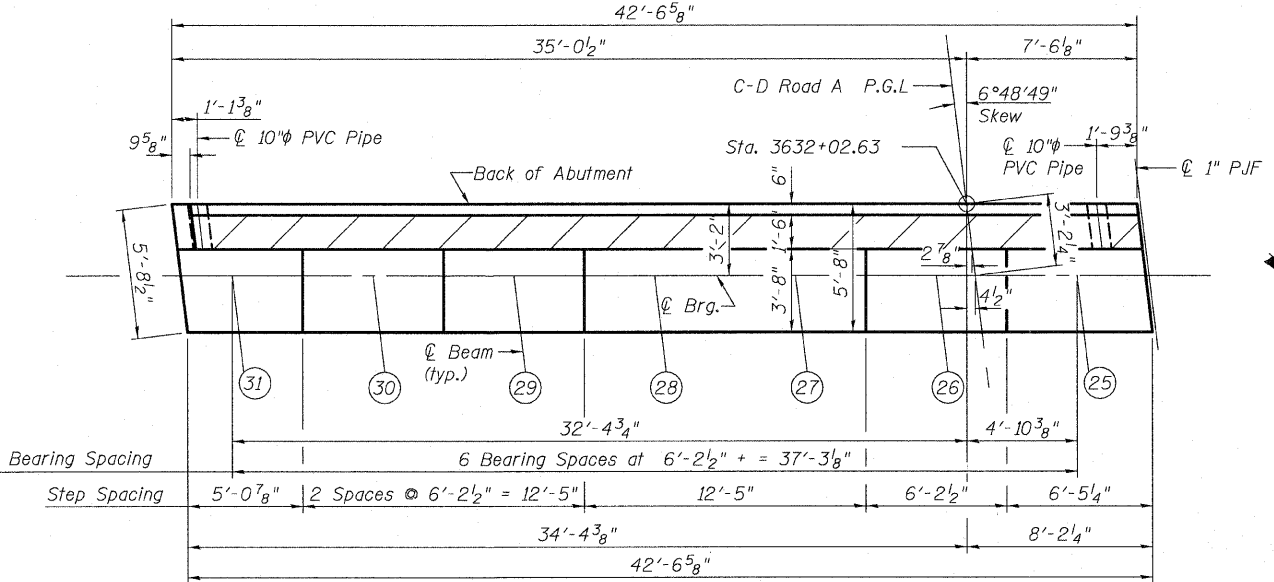


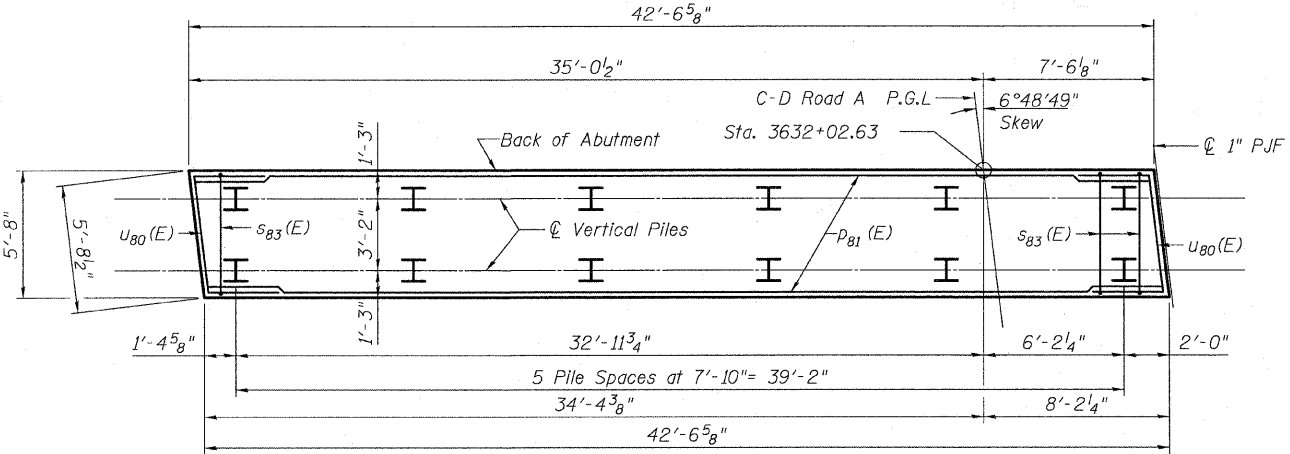
STATE OF ILLINOIS
DEPARTMENT OF TRANSPORTATION



ELEVATION
(Looking West)



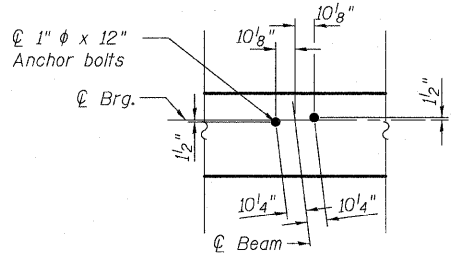
TOP VIEW



PLAN-PILE CAP

**BRIDGE SEAT
ELEVATIONS**

Beam	Seat Elevation
25	630.80
26	630.92
27	631.02
28	631.02
29	630.94
30	630.86
31	630.73



**ANCHOR BOLT
LAYOUT**

NOTES:

See Sheet 46 of 62 for abutment section, pile data and Bill of Material.
Space reinforcement in cap to miss anchor bolts.
Pour steps monolithically with cap.
Hatched area to be poured after superstructure forms have been removed. Quantity of concrete included with Concrete Superstructure.
Bars indicated thus 20 x 3- #7 etc. indicates 20 lines of bars with 3 lengths per line.
All edges shall have standard 3/4" chamfers except as noted.
Piles shall be driven prior to placement of the reinforced select fill and coated with coal tar epoxy from the bottom of the select fill to 1" above the base of the abutment. The cost of the coal tar epoxy coating shall be included with the cost of the Furnishing Piles.

**MINIMUM BAR
LAPS**

Bar	Lap	Notes
#4	2'-7"	
#5	3'-3"	
#6	3'-10"	
#6	4'-5" (Top)	for h88(E)
#7	5'-2"	
#7	5'-10" (Top)	

WEST ABUTMENT - 1
S.N. 016-1252

TYLIN INTERNATIONAL	DESIGNED - DY	REVISIONS	
	CHECKED - AD,LS	NAME	DATE
	DRAWN - DY,EI		
	CHECKED - LS,SP,PDF		
	DATE - 03/18/10		

SHEET NO. 43 62 SHEETS	F.A.I. RTE. 57	SECTION 1414.2B	COUNTY COOK	TOTAL SHEETS 516	SHEET NO. 356
	CONTRACT NO. 60J27			FED. ROAD DIST. NO. 1 ILLINOIS FED. AID PROJECT	

P:\S02540157-294\STRUCTURAL\I-57 OVER RAMP B\I.mel submittal_03-17-2010\I.mel submittal_03-17-2010_0161252-60J27-043-N.ABUT-RAMP.A.dgn 9:54:42 AM