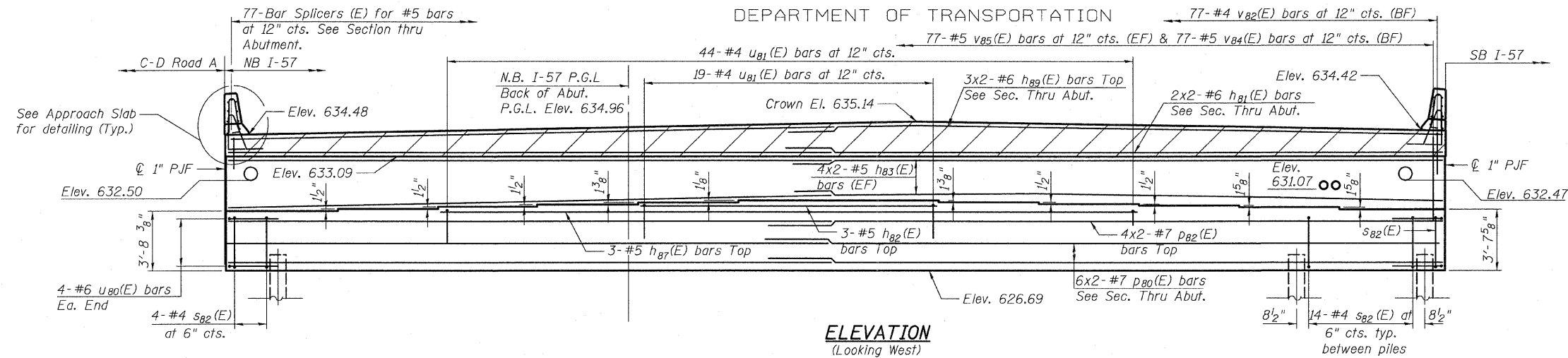
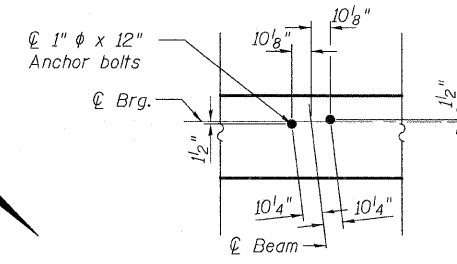
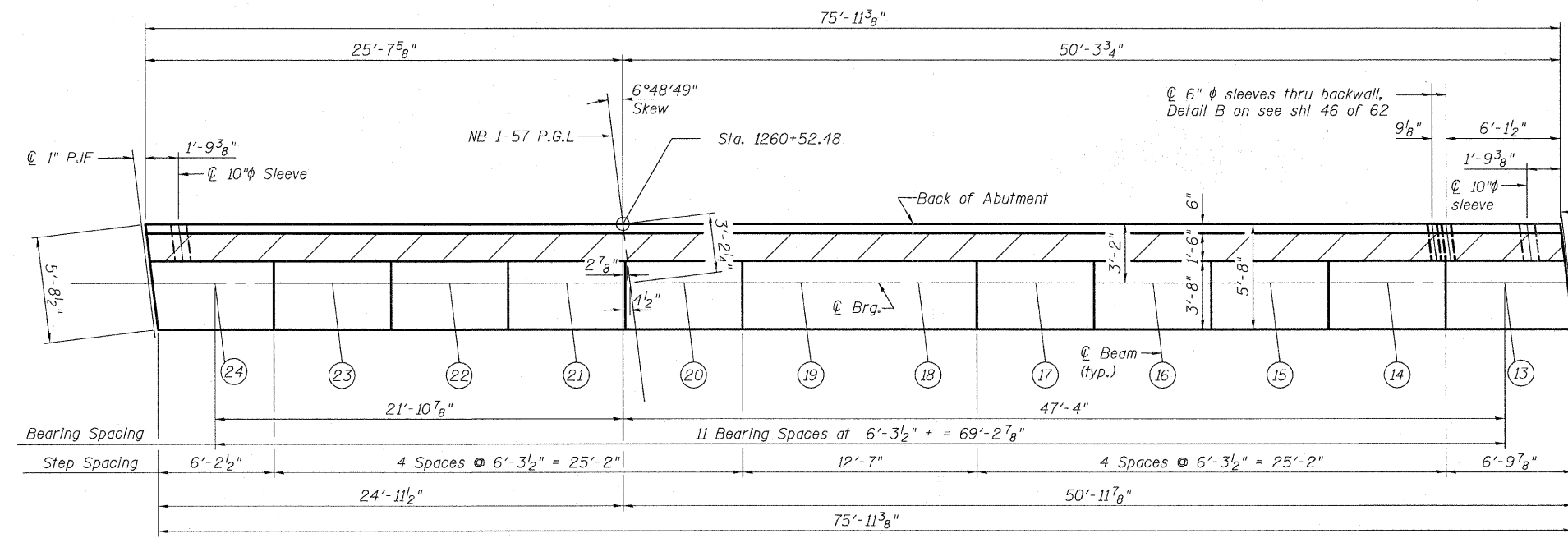


STATE OF ILLINOIS
DEPARTMENT OF TRANSPORTATION

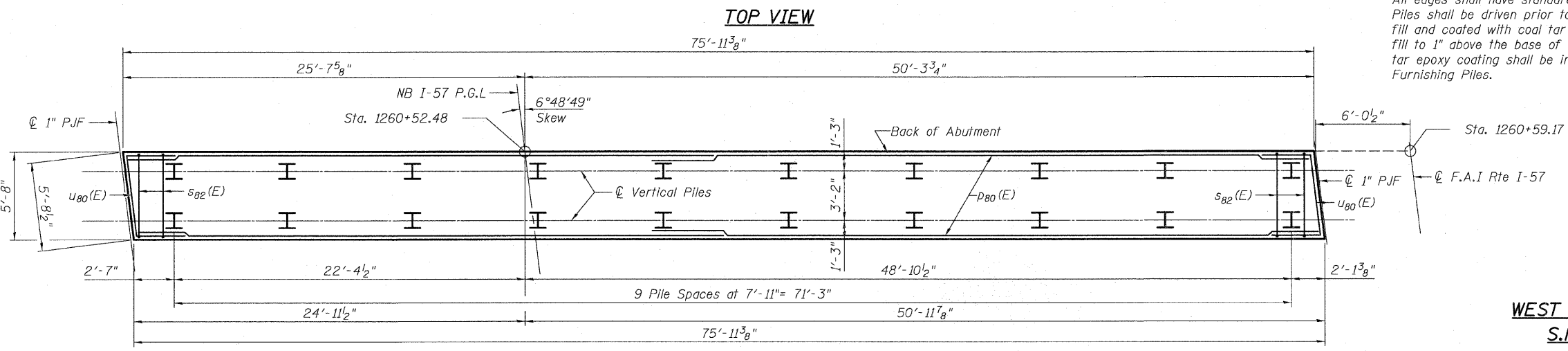


**BRIDGE SEAT
ELEVATIONS**

Beam	Seat Elevation
13	630.33
14	630.47
15	630.61
16	630.74
17	630.86
18	630.97
19	630.97
20	630.88
21	630.77
22	630.65
23	630.52
24	630.39



NOTES:
See Sheet 46 of 62 for abutment section, pile data and Bill of Material.
Space reinforcement in cap to miss anchor bolts.
Four steps monolithically with cap.
Hatched area to be poured after superstructure forms have been removed. Quantity of concrete included with Concrete Superstructure.
Bars indicated thus 20 x 3- #7 etc. indicates 20 lines of bars with 3 lengths per line.
All edges shall have standard 3/4\"/>



**MINIMUM BAR
LAPS**

Bar	Lap	Notes
#4	2'-7"	
#5	3'-3"	
#6	3'-10"	
#6	4'-5" (Top)	for h83(E)
#7	5'-2"	
#7	5'-10" (Top)	for p82(E)

**WEST ABUTMENT - 2
S.N. 016-1252**

TYLIN INTERNATIONAL

DESIGNED	DY	REVISIONS	
CHECKED	AD,LS	NAME	DATE
DRAWN	DY,EI		
CHECKED	LS,SP,PDF		
DATE	03/18/10		

SHEET NO.	F.A.I. RTE.	SECTION	COUNTY	TOTAL SHEETS	SHEET NO.
44	57	1414.2B	COOK	516	357
62 SHEETS					
CONTRACT NO. 60J27					
FED. ROAD DIST. NO. 1 ILLINOIS FED. AID PROJECT					

9:54:43 AM
P:\602540157-2941\STRUCTURAL\1-57_OVER_RAMP_B.VI.dwg submitted: 03-17-2010 11:01:01 AM submitted: 03-17-2010 10:01:25-60127-044-W.ABUT_NB.dwg