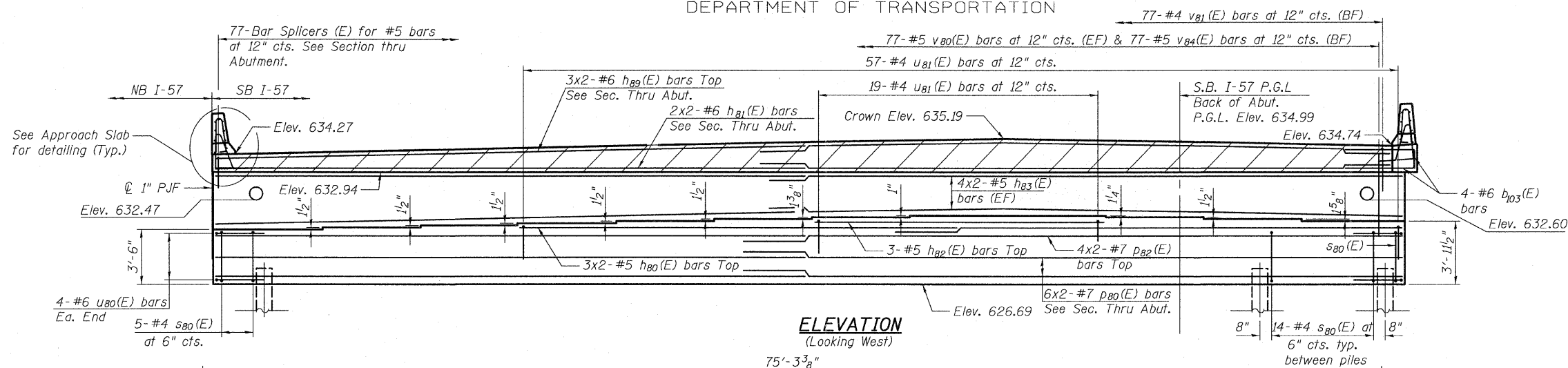
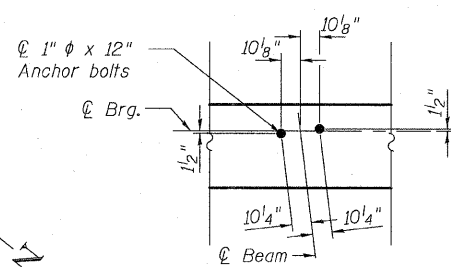
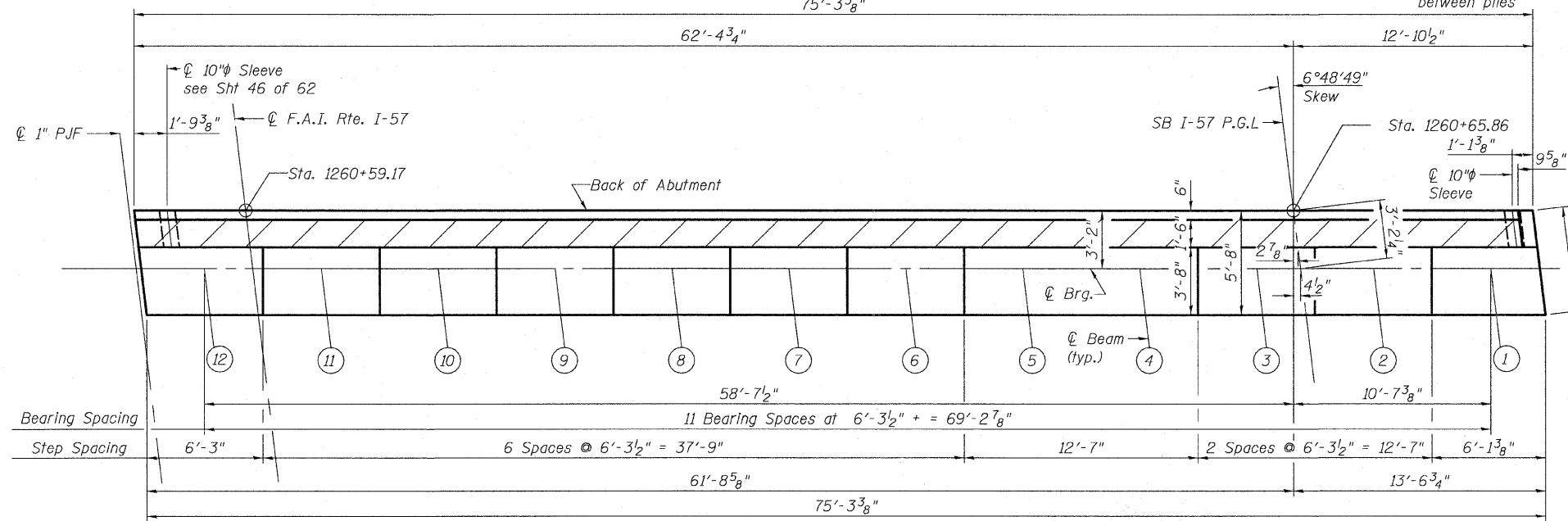


STATE OF ILLINOIS
DEPARTMENT OF TRANSPORTATION



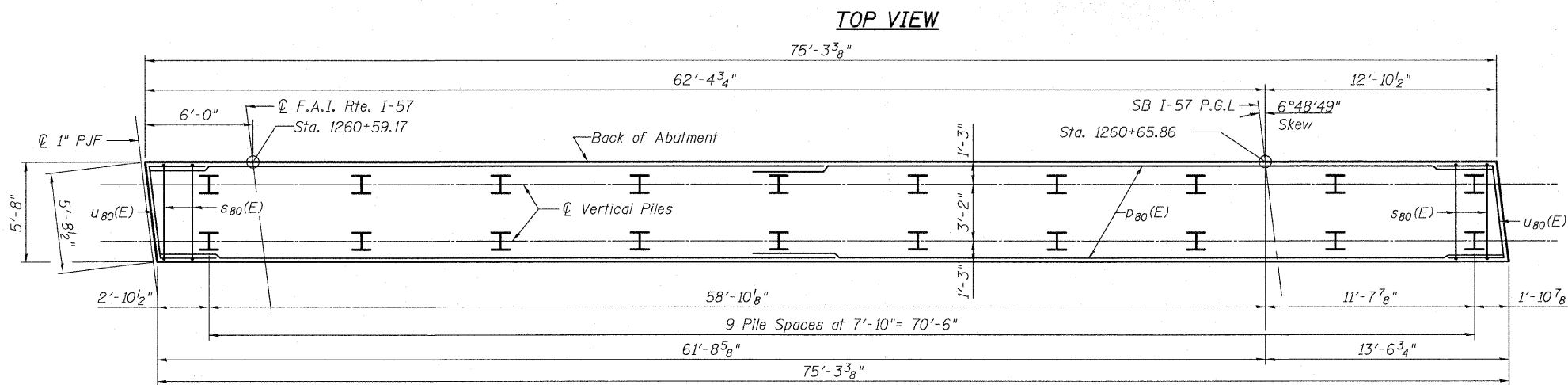
**BRIDGE SEAT
ELEVATIONS**

Beam	Seat Elevation
1	630.65
2	630.79
3	630.91
4	631.01
5	631.01
6	630.93
7	630.82
8	630.69
9	630.57
10	630.44
11	630.31
12	630.19



**ANCHOR BOLT
LAYOUT**

NOTES:
See Sheet 46 of 62 for abutment section, pile data and Bill of Material.
Space reinforcement in cap to miss anchor bolts.
Piers monolithically with cap.
Hatched area to be poured after superstructure forms have been removed. Quantity of concrete included with Concrete Superstructure.
Bars indicated thus 20 x 3- #7 etc. indicates 20 lines of bars with 3 lengths per line.
All edges shall have standard 3/4\"/>



**MINIMUM BAR
LAPS**

Bar	Lap	Notes
#4	2'-7"	
#5	3'-3"	
#6	3'-10"	
#6	4'-5" (Top)	for h89(E)
#7	5'-2"	
#7	5'-10" (Top)	for p82(E)

**WEST ABUTMENT - 3
S.N. 016-1252**

TYLIN INTERNATIONAL

DESIGNED	DY	REVISIONS	
CHECKED	AD,LS	NAME	DATE
DRAWN	DY,EI		
CHECKED	LS,SP,PDF		
DATE	03/18/10		

SHEET NO. 45 62 SHEETS	F.A.I. RTE. 57	SECTION 1414.2B	COUNTY COOK	TOTAL SHEETS 516	SHEET NO. 358
	CONTRACT NO. 60J27			FED. ROAD DIST. NO. 1 ILLINOIS FED. AID PROJECT	

P:\602540\57-294\STRUCTURAL\1-57 OVER RAMP.B.F.incl. submit.tcl.03-17-2010\0161252-60J27-045-W.ABUT-SB.dgn 9:54:45 AM 3/18/2010