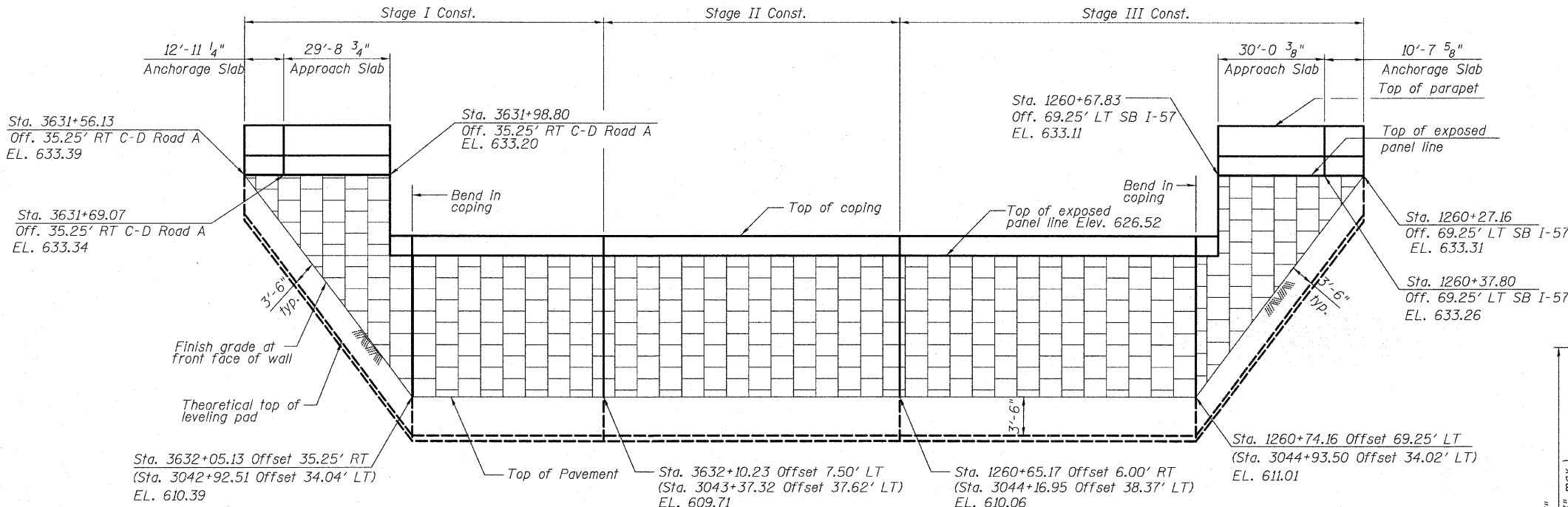
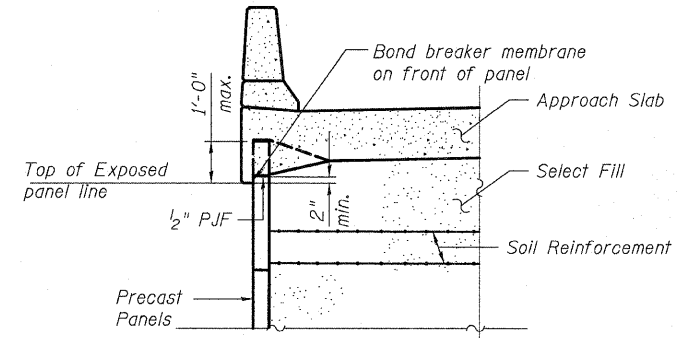


STATE OF ILLINOIS
DEPARTMENT OF TRANSPORTATION

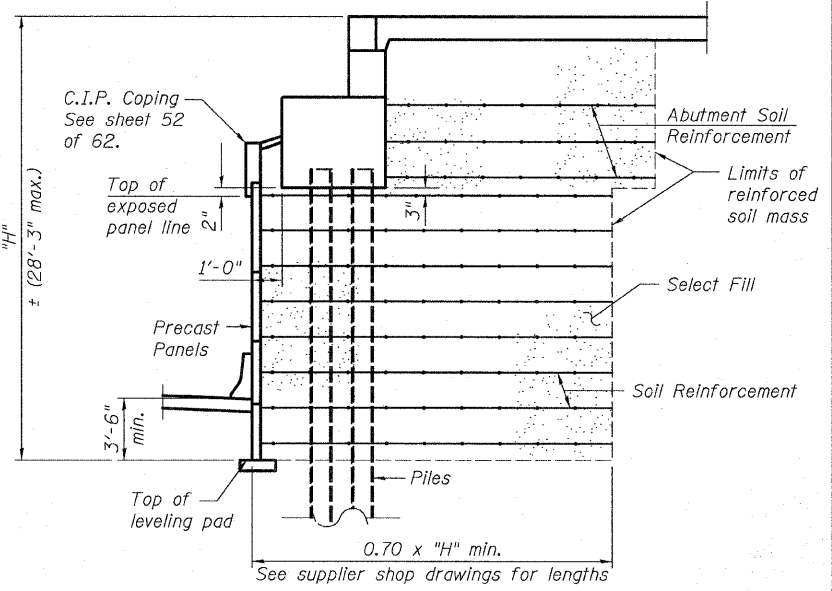


WEST ABUTMENT WALL
Developed elevation along front face



SECTION THRU BARRIER

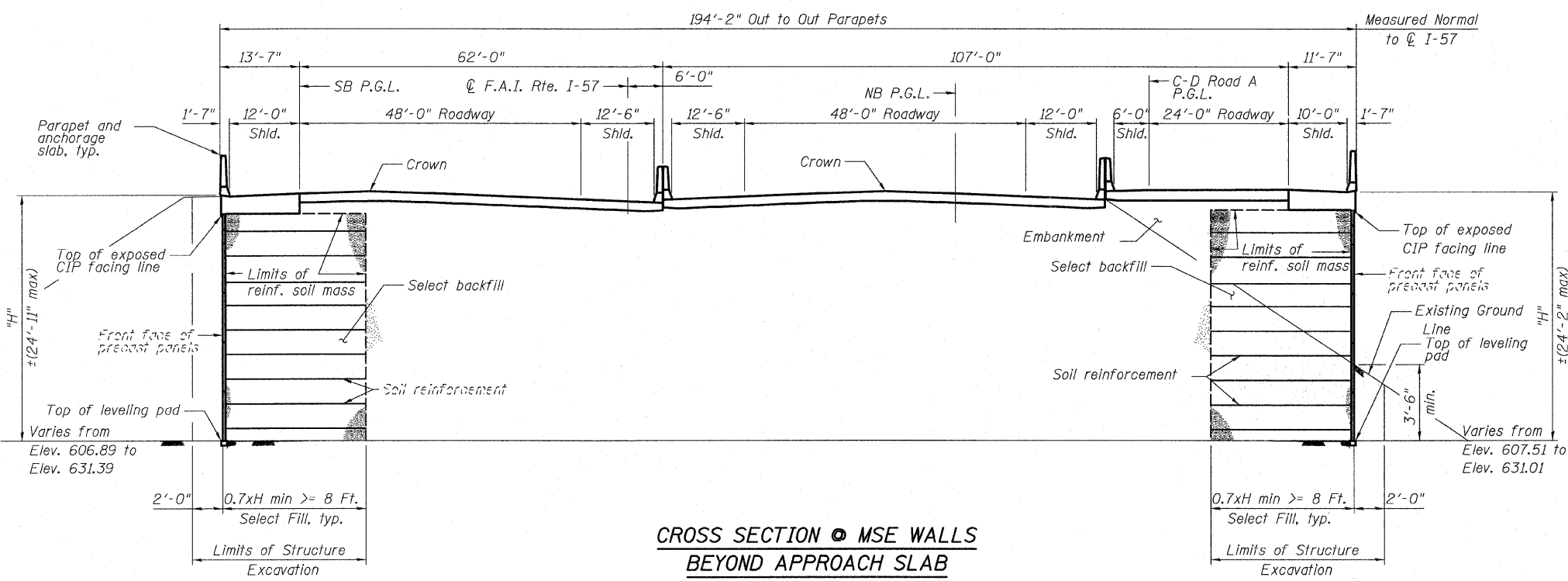
The M.S.E. wall supplier's internal stability design shall account for the slabs bearing pressure surcharge of 1.0 ksf and horizontal sliding force of 0.5 kips/ft of wall.



SECTION THRU ABUTMENT

NOTES

- The MSE wall supplier shall design the abutment soil reinforcement to resist a horizontal force of 2.0 kips/ft of abutment.
- Piles shall be driven prior to placement of the reinforced select fill and coated with coal tar epoxy from the bottom of the select fill to 1" above the base of the abutment. The cost of the coal tar epoxy coating shall be included with the cost of the Furnishing Piles.
- See Special Provision for Mechanically Stabilized Earth Retaining Wall design and construction requirements.
- Offsets are to Front Face of precast panels.
- For coping details, see sheet 52 of 62.
- For anchorage slab details, see sheet 34 of 62.



**CROSS SECTION @ MSE WALLS
BEYOND APPROACH SLAB**
Looking East

**WEST MECHANICALLY STABILIZED
EARTH RETAINING WALL**
S.N. 016-1252

TYLIN INTERNATIONAL	DESIGNED - DY	REVISIONS		SHEET NO. 51	F.A.I. RTE. 57	SECTION 1414.2B	COUNTY COOK	TOTAL SHEETS 516	SHEET NO. 364
	CHECKED - AD,LS	NAME	DATE						
	DRAWN - DY,EI								
	CHECKED - LS,SP,PDF								
	DATE - 03/18/10								
				62 SHEETS	CONTRACT NO. 60J27				
FED. ROAD DIST. NO. 1 ILLINOIS FED. AID PROJECT									

P:\1602540157-2941\STRUCTURAL\1-57-OVER RAMP.BA\Final\submital_03-17-2010\Final\submital_03-17-2010_0161252-60J27-051-W.MSE-WALL.dgn 9:54:55 AM 3/18/2010