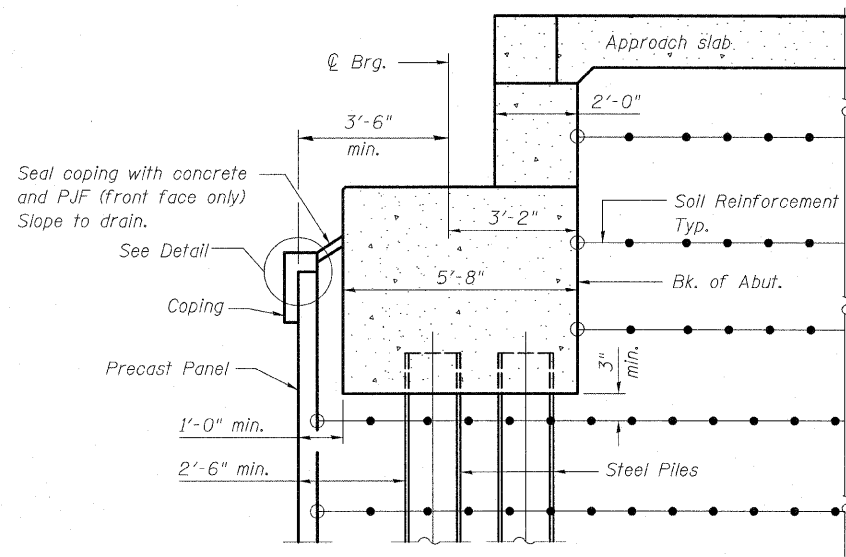
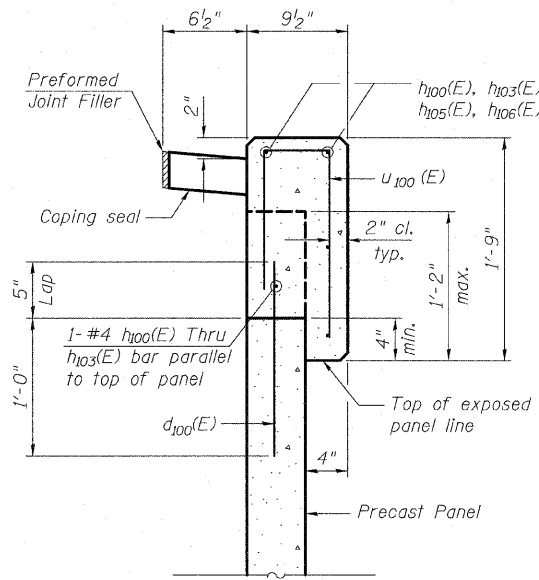


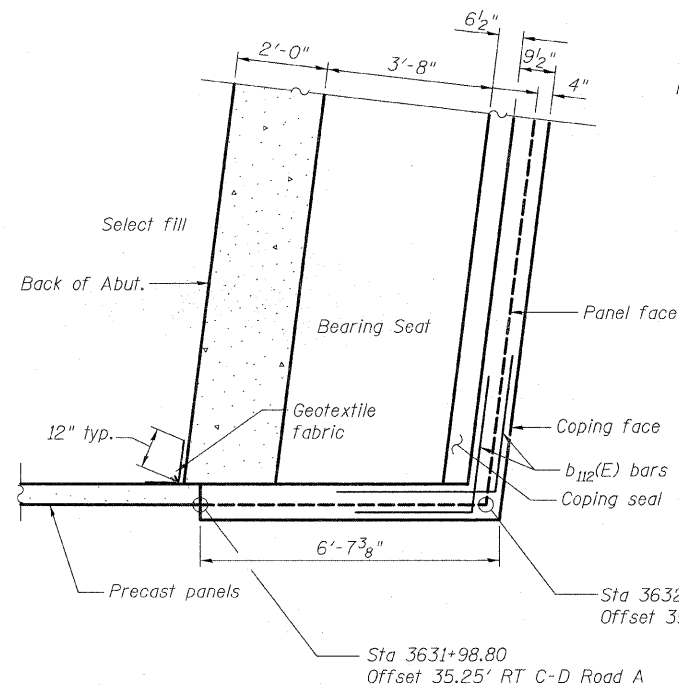
STATE OF ILLINOIS
DEPARTMENT OF TRANSPORTATION



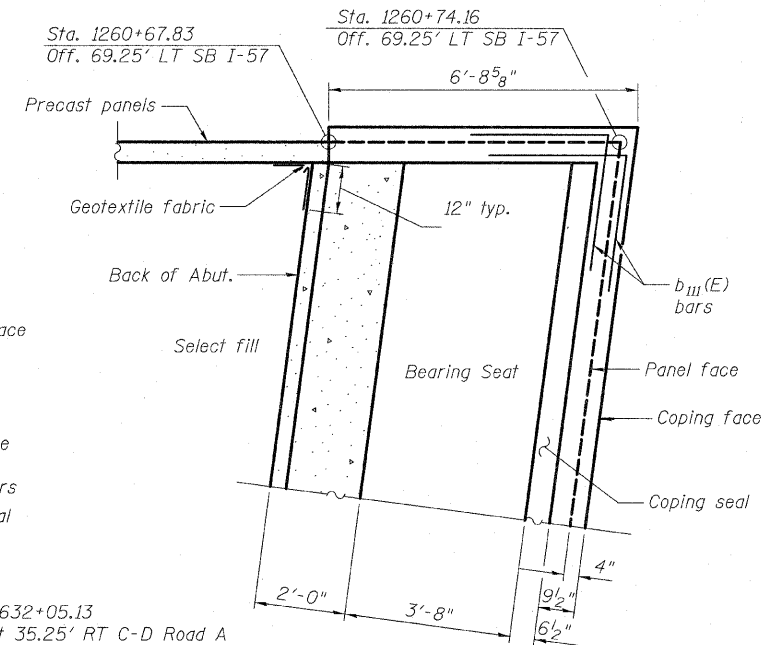
SECTION THRU WEST ABUTMENT
(Horiz. dim. @ Rt. L's)



DETAIL



PLAN AT ABUTMENT - SOUTH END



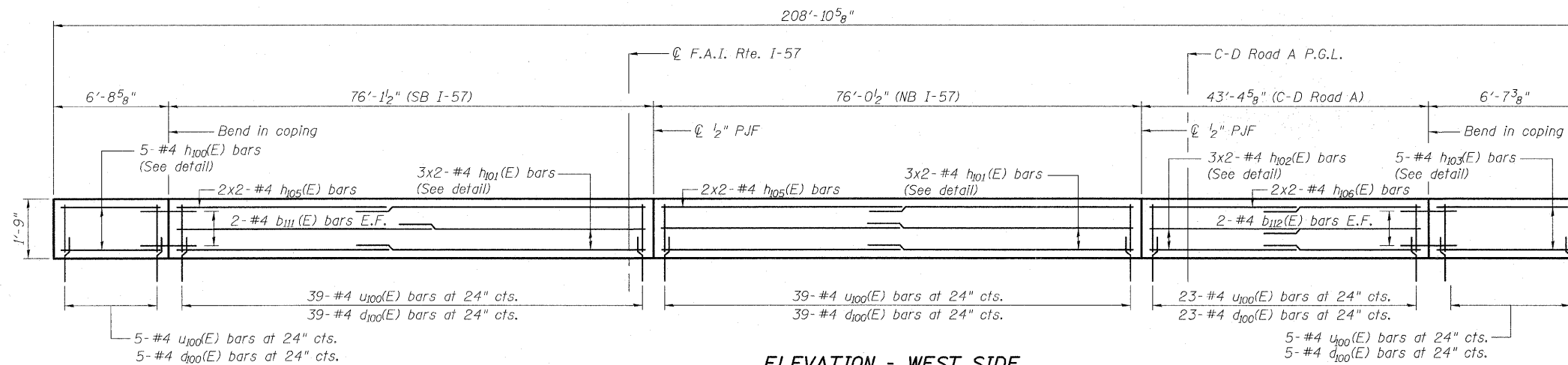
PLAN AT ABUTMENT - NORTH END

MINIMUM BAR LAPS

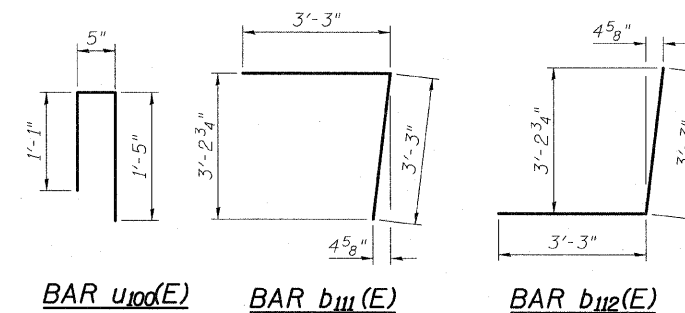
Bar	Lap
#4	2'-7"
#4	2'-11" (Top)

BILL OF MATERIAL

Bar	No.	Size	Length	Shape
b ₁₁₁ (E)	4	#4	6'-6"	U
b ₁₁₂ (E)	4	#4	6'-6"	U
d ₁₀₀ (E)	111	#4	1'-5"	—
h ₁₀₀ (E)	5	#4	6'-5"	—
h ₁₀₁ (E)	12	#4	39'-2"	—
h ₁₀₂ (E)	6	#4	22'-9"	—
h ₁₀₃ (E)	5	#4	6'-4"	—
h ₁₀₅ (E)	8	#4	39'-4"	—
h ₁₀₆ (E)	4	#4	23'-0"	—
U ₁₀₀ (E)	111	#4	2'-11"	U
Concrete Structures		Cu. Yd.	10.7	
Reinforcement Bars, Epoxy Coated		Pound	1,080	



ELEVATION - WEST SIDE
(Looking East)



BAR U₁₀₀(E) BAR b₁₁₁(E) BAR b₁₁₂(E)

**WEST MECHANICALLY STABILIZED
EARTH RETAINING WALL - DETAILS
STRUCTURE NO. 016-1252**

TYLIN INTERNATIONAL	DESIGNED - DY	REVISIONS		SHEET NO. 52	F.A.I. RTE. 57	SECTION 1414.2B	COUNTY COOK	TOTAL SHEETS	SHEET NO.
	CHECKED - AD,LS	NAME	DATE					516	365
	DRAWN - DY,EI							CONTRACT NO. 60J27	
	CHECKED - LS,SP,PDF							FED. ROAD DIST. NO. 1 ILLINOIS FED. AID PROJECT	
	DATE - 03/18/10								

P:\602540\67-294\STRUCTURAL\1-57-OVER-RAMP-BX\Final submittal_03-17-2010\Final submittal_03-17-2010\0161251-60J27-052-MSE-WALL-DTL.dwg 10:57:55 AM 3/18/2010