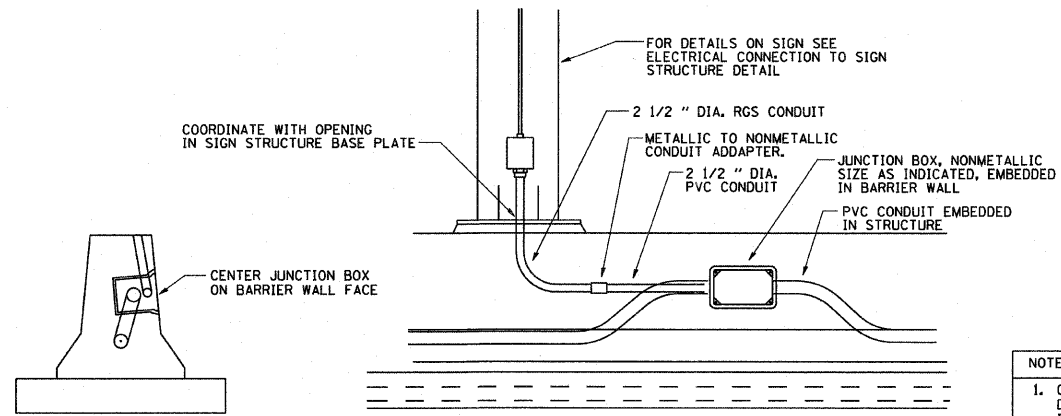


NOTES
 1. CONDUIT SHALL BE 4-INCH DIAMETER UNLESS OTHERWISE INDICATED IN THE PLANS.
 2. JUNCTION BOX SIZE
 SINGLE FACE WALL: 21" X 11" X 8"
 DOUBLE FACE WALL: 20" X 13" X 12"

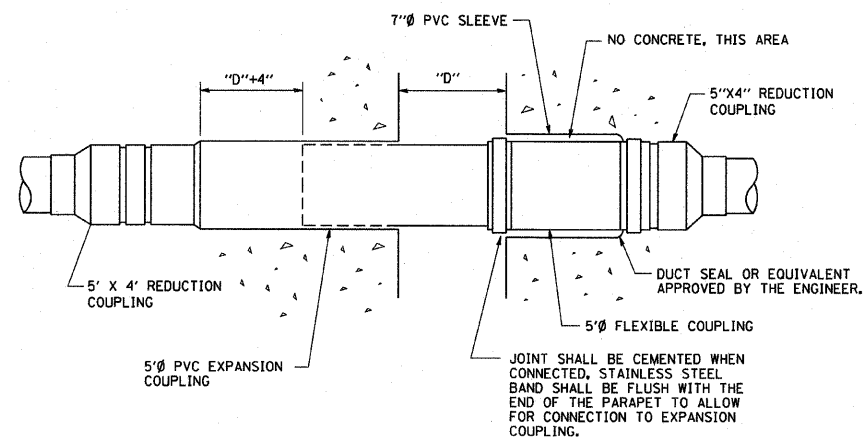
NOTE: FOR DETAILS ABOVE BARRIER WALL SEE UNDERPASS DETAILS.

ED - BWD
 ELECTRIC CONNECTION TO UNDERPASS LIGHTING

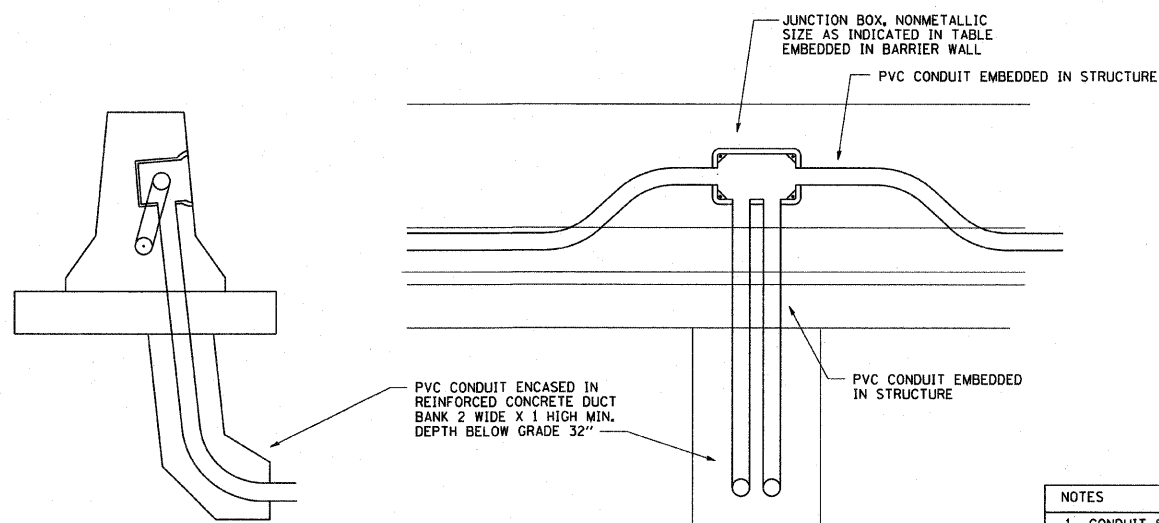


NOTES
 1. CONDUIT SHALL BE 4-INCH DIAMETER UNLESS OTHERWISE INDICATED IN THE PLANS.
 2. JUNCTION BOX SIZE
 SINGLE FACE WALL: 21" X 11" X 8"
 DOUBLE FACE WALL: 20" X 13" X 12"

ED - SGN
 JUNCTION BOX EMBEDDED IN BARRIER WALL FOR SIGN LIGHTING



INSTALLATION OF CONDUIT
 IN BRIDGE PARAPET EXPANSION JOINT
 (N.T.S.)



NOTES
 1. CONDUIT SHALL BE 4-INCH DIAMETER UNLESS OTHERWISE INDICATED IN THE PLANS.
 2. JUNCTION BOX SIZE
 SINGLE FACE WALL: 21" X 11" X 8"
 DOUBLE FACE WALL: 20" X 13" X 12"

ED - BW
 JUNCTION BOX EMBEDDED IN BARRIER WALL

FILE NAME = be703.dgn	USER NAME = gaglianobt	DESIGNED -	REVISED -	STATE OF ILLINOIS DEPARTMENT OF TRANSPORTATION	MISCELLANEOUS ELECTRICAL DETAILS, SHEET B J BOX EMBEDDED IN BARRIER WALL - INSTALLATION OF CONDUIT IN BRIDGE PARAPET EXPANSION JOINT - ELECTRIC CONNECTION TO UNDERPASS LIGHTING			F.A. 1/4 RTE. 51	SECTION 1414.2B	COUNTY COOK	TOTAL SHEETS 516	SHEET NO. 384A
PLOT SCALE = 50.0000' / IN.	CHECKED -	REVISED -	REVISED -		SCALE: NONE	SHEET NO. 1 OF 1 SHEETS	STA.	TO STA.	CONTRACT NO. 60127	FED. ROAD DIST. NO. 1 ILLINOIS FED. AID PROJECT		
PLOT DATE = 2/5/2009	DATE = 01-20-2009	REVISED -	REVISED -									