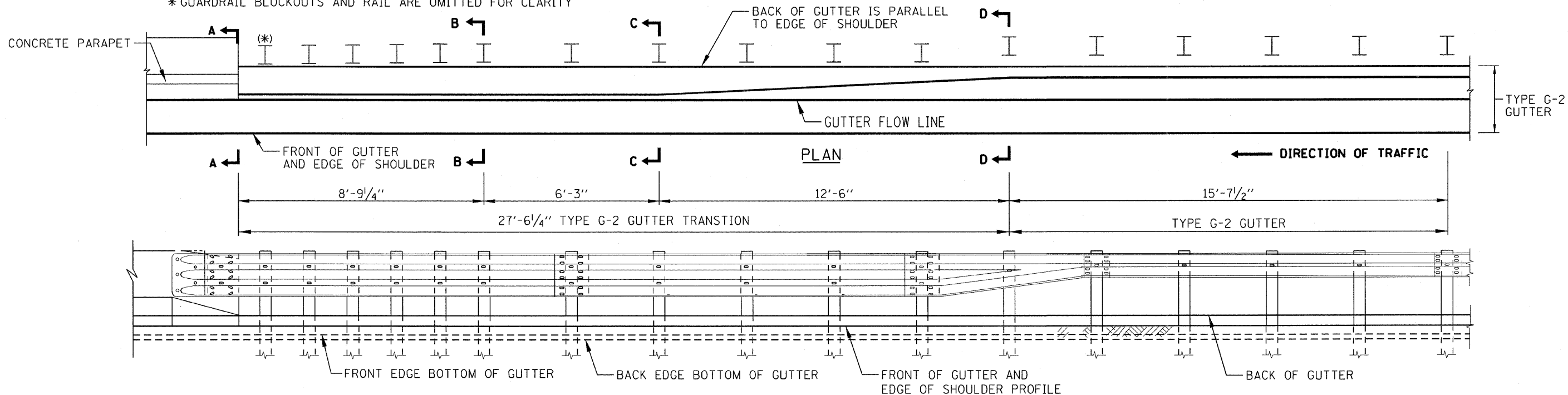
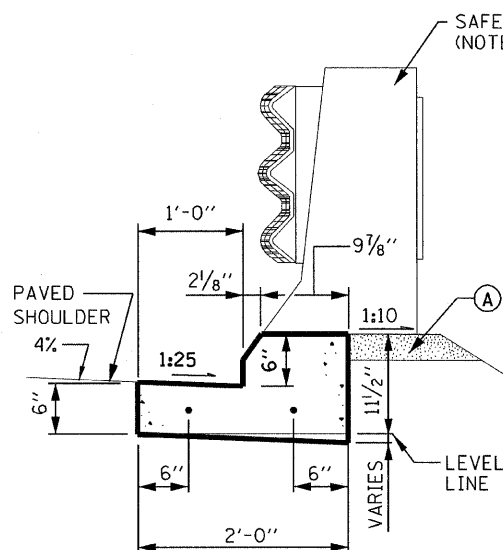


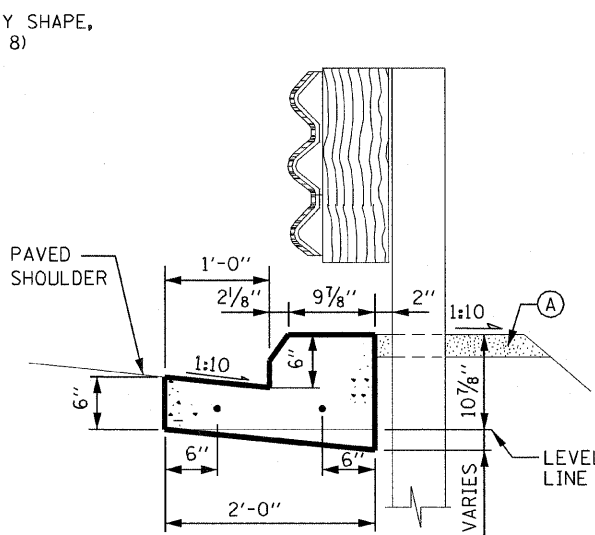
* GUARDRAIL BLOCKOUTS AND RAIL ARE OMITTED FOR CLARITY



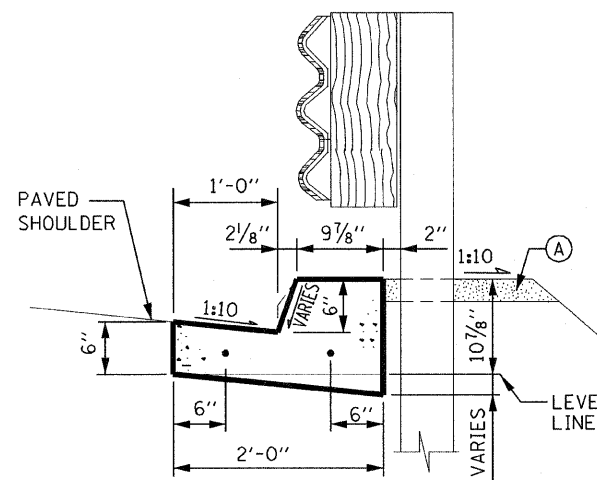
ELEVATION



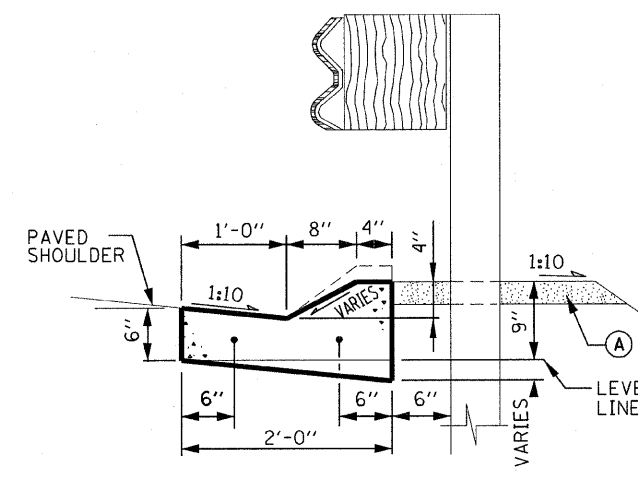
**G-2 SECTION A-A
AT CONCRETE PARAPET**



**G-2 SECTION B-B
8'-9 1/4" FROM PARAPET**



**G-2 SECTION C-C
15'-0 1/4" FROM PARAPET**



**G-2 SECTION D-D
27'-6 1/4" FROM PARAPET**

NOTES:

- 1. SEE SHEET 1 OF THIS SERIES FOR GENERAL NOTES.
- 2. THE TYPE G-2 GUTTER TRANSITION SHALL BE PAID PER FOOT FOR CONCRETE GUTTER TYPE G-2.

SHEET 2 OF 2

LEGEND

(A) AGGREGATE SHOULDERS SPECIAL, TYPE C

TYPE G-2 GUTTER TRANSITION AT TRAFFIC BARRIER TERMINAL, TYPE T6

Paul Kovacs
APPROVED..... CHIEF ENGINEER..... DATE 6-1-2009...

Illinois Tollway
Open Roads for a Faster Future

TYPE G-2/G-3 GUTTER
TRANSITION AT TRAFFIC
BARRIER TERMINAL, TYPE T6

STANDARD B3-01

395B of 516