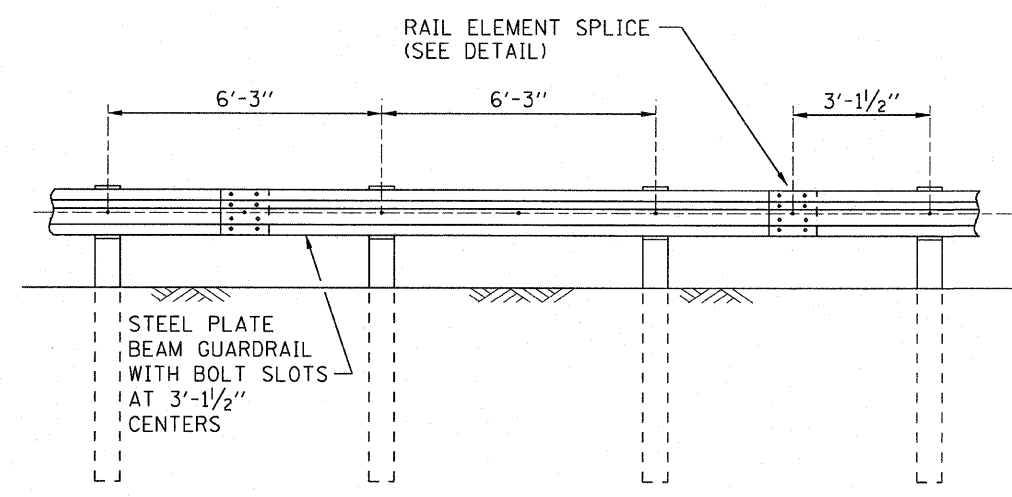


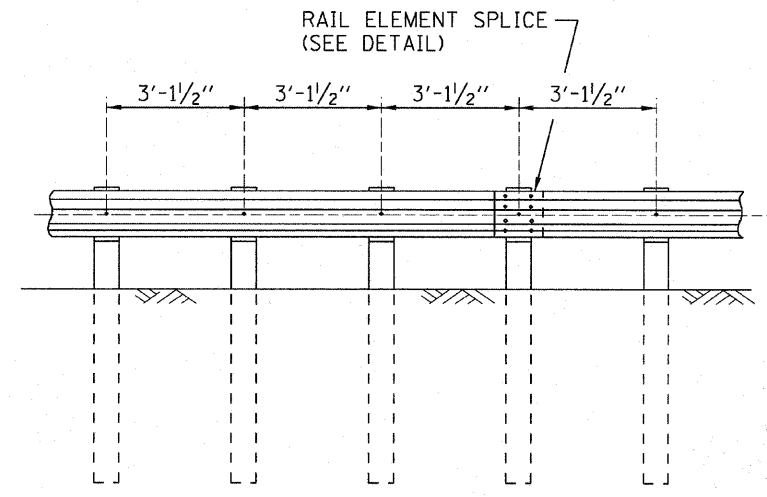
STEEL POST CONSTRUCTION



ELEVATION

TYPE A

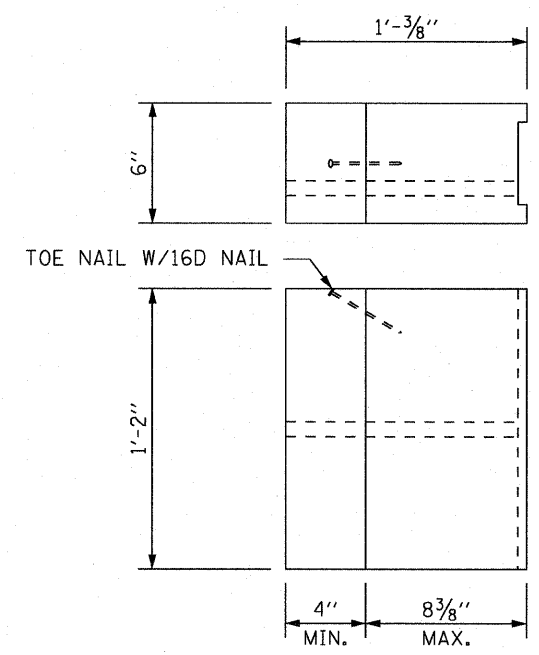
6'-3" TYPICAL POST SPACING



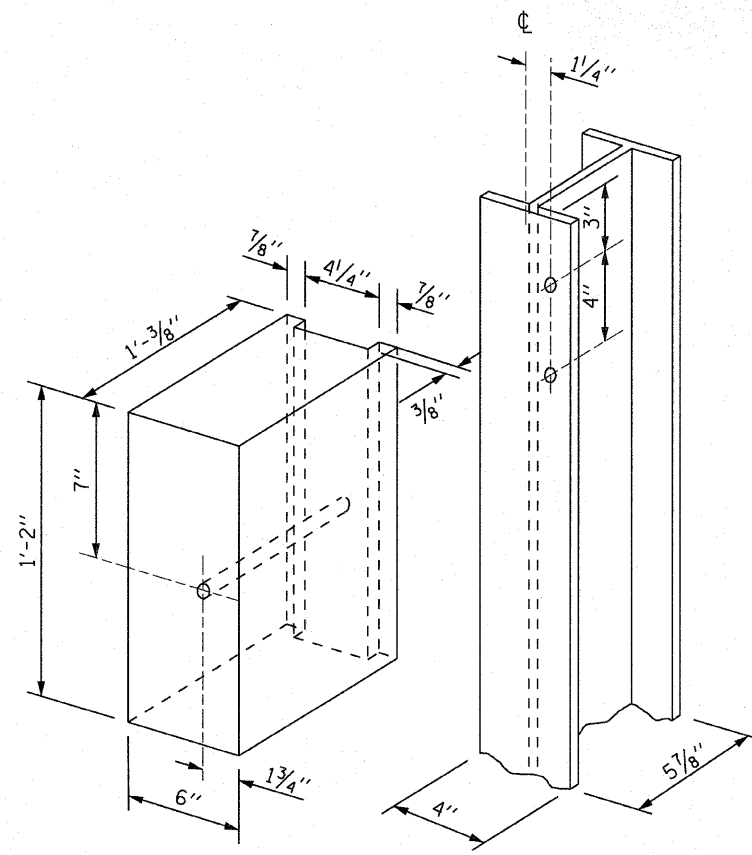
ELEVATION

TYPE B

3'-1/2" CLOSED POST SPACING

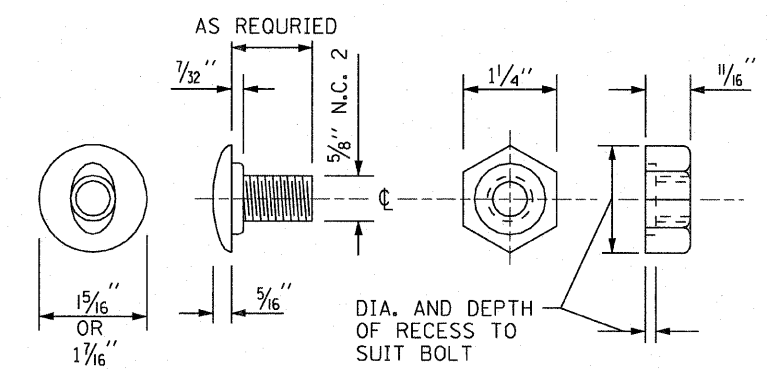


TWO-PIECE WOOD BLOCKOUT OPTION



NOTE: ALL HOLES 3/4" DIA.

WOOD BLOCK-OUT AND STEEL POST DETAILS



POST OR SPLICE BOLT & NUT

Illinois Tollway
Open Roads for a Faster Future

GALVANIZED STEEL PLATE
 BEAM GUARDRAIL

STANDARD C1-03

397 OF 516

Paul Kovacs
 APPROVED... CHIEF ENGINEER... DATE 7-1-2009