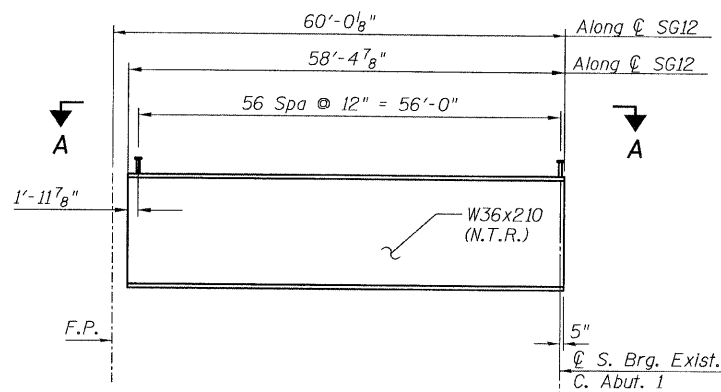
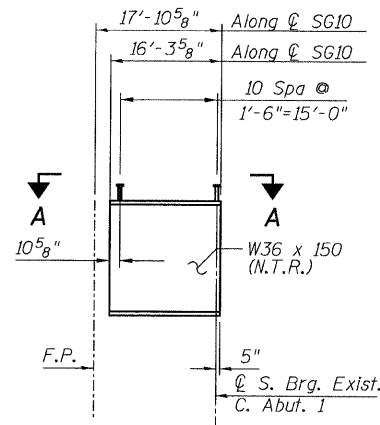


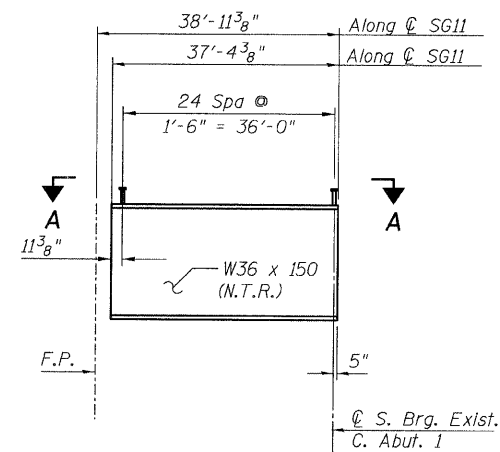
STATE OF ILLINOIS  
DEPARTMENT OF TRANSPORTATION



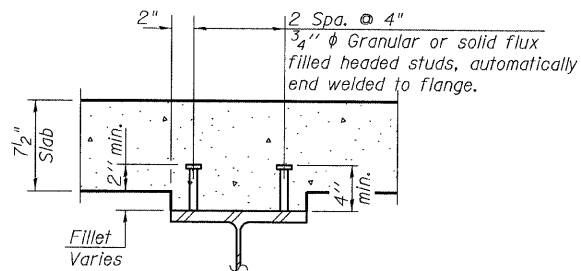
GIRDER ELEVATION - SG12



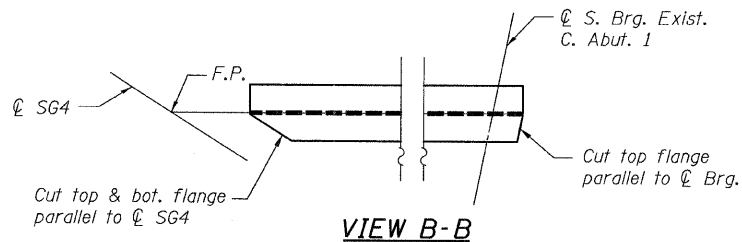
GIRDER ELEVATION - SG10



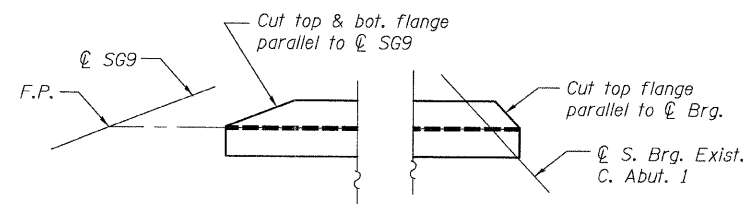
GIRDER ELEVATION - SG11



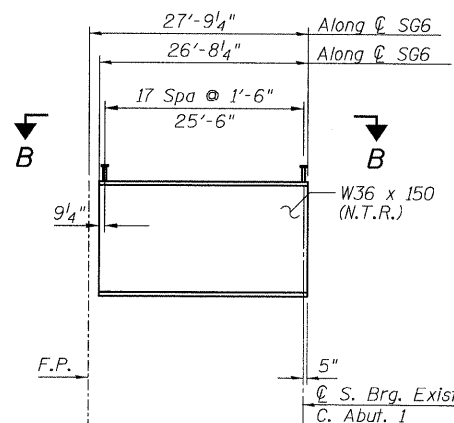
SHEAR STUD LAYOUT  
(NOT IN CONTRACT)



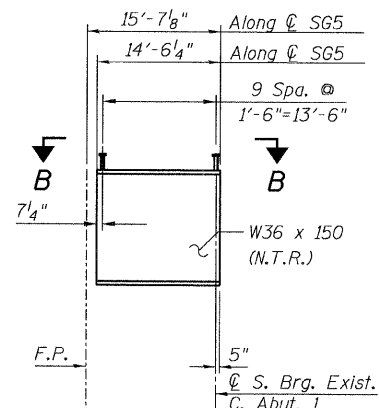
VIEW B-B



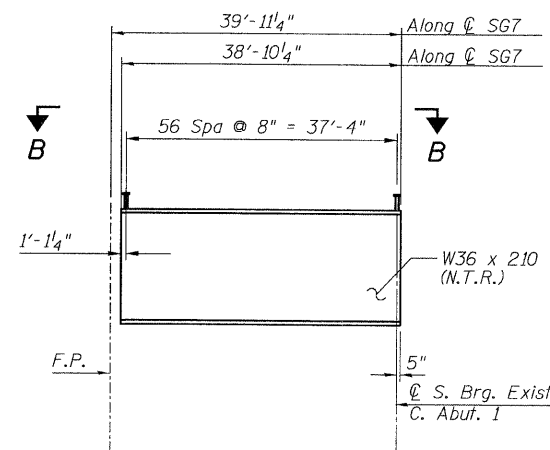
VIEW A-A



GIRDER ELEVATION - SG6



GIRDER ELEVATION - SG5



GIRDER ELEVATION - SG7

NOTES:

1. F.P. - denotes Framing Point
2. Lengths shown are along beam C.L.
3. Work this sheet with sheets 20 and 21.
4. Load carrying components designated "NTR" shall conform to the Supplemental Requirements for Notch Toughness, Zone 2.

GIRDER ELEVATIONS FLARED GIRDERS  
STRUCTURE NO. 016-3241

TYLIN INTERNATIONAL	DESIGNED - SP	REVISIONS		SHEET NO. 18	F.A.I. RTE. 55	SECTION 0711.2R & 1011.1BR	COUNTY COOK	TOTAL SHEETS 200	SHEET NO. 22
	CHECKED - AMD,	NAME	DATE						
	DRAWN - SP								
	CHECKED - AMD,								
DATE - 08/02/10				26 SHEETS	CONTRACT NO. 60L39				
					FED. ROAD DIST. NO. 1 ILLINOIS FED. AID PROJECT				

8/2/2010 2:41:49 PM c:\01345\beam\_and\_bearing\_fabrication\155c\Framed13.dgn