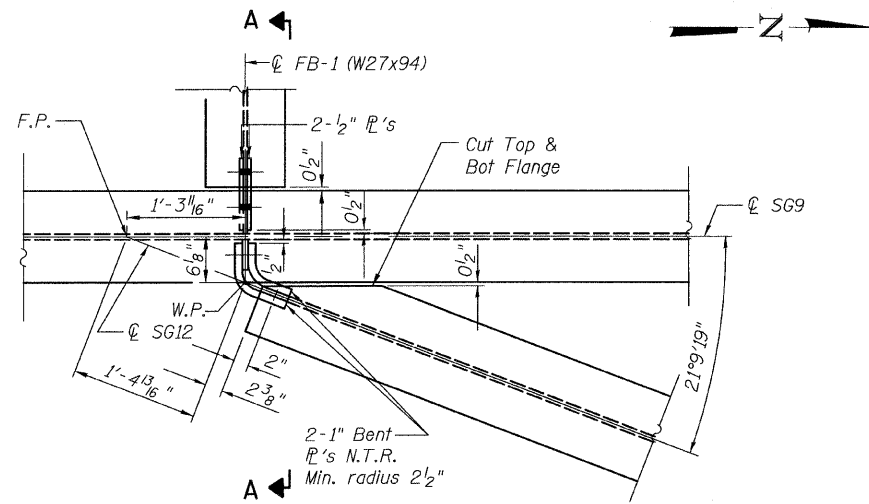
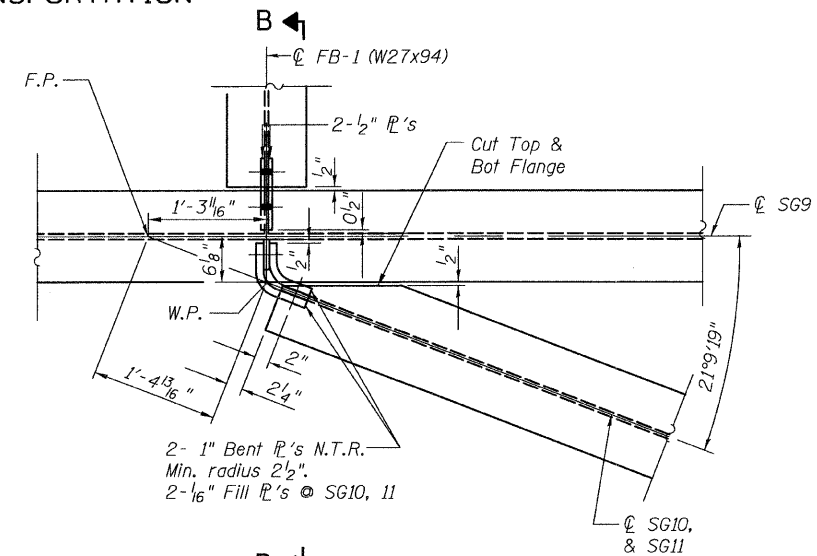


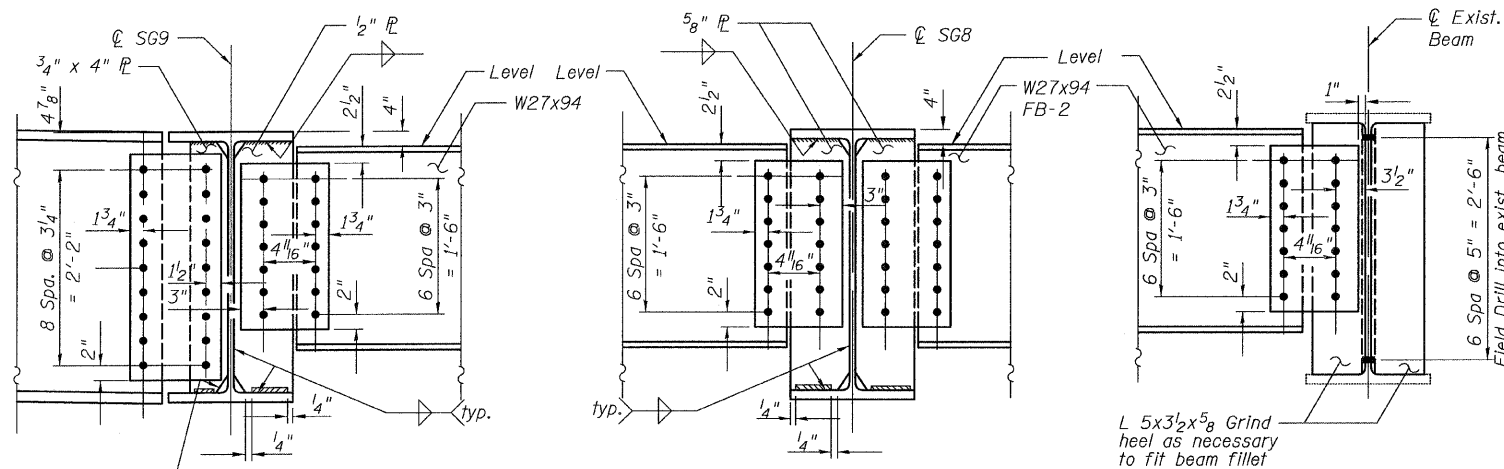
STATE OF ILLINOIS
DEPARTMENT OF TRANSPORTATION



DETAIL 1

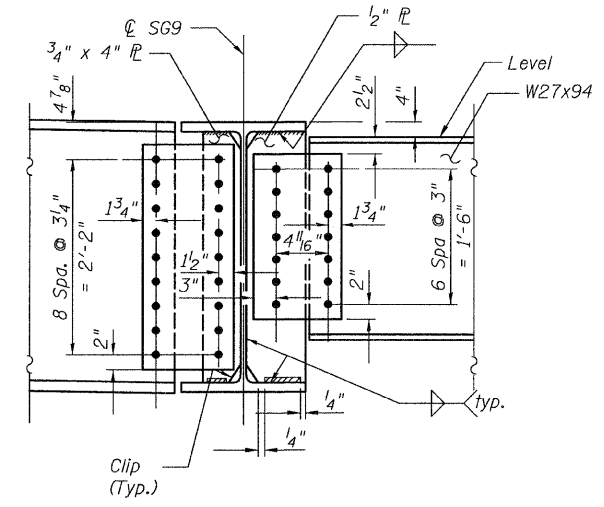


DETAIL 2



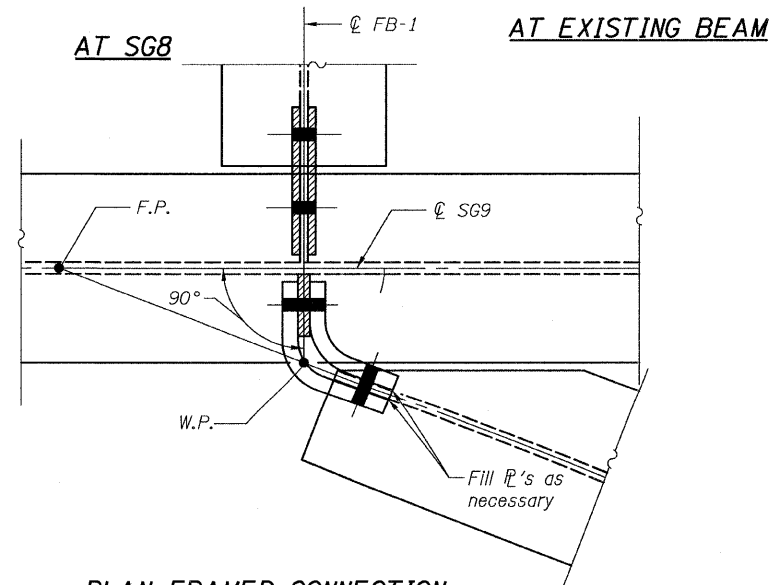
SECTION A-A

All bolts shall be 7/8" ϕ . Holes shall be 15/16" ϕ



SECTION B-B

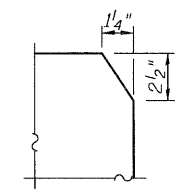
All bolts shall be 7/8" ϕ . Holes shall be 15/16" ϕ



PLAN-FRAMED CONNECTION

NOTES:

1. Structural Steel shall conform to the requirement of AASHTO M270 Grade 50.
2. F.P. denotes Framing Point.
3. Load carrying components designated "NTR" shall conform to the Supplemental Requirements for Notch Toughness, Zone 2.
4. All Fillet Welds shall be 5/16".



TYPICAL CLIPPING DETAIL

FRAMING DETAILS 2
CONNECTIONS - EAST
STRUCTURE NO. 016-3241

TYLIN INTERNATIONAL

DESIGNED - JMA	REVISIONS	
	NAME	DATE
CHECKED - AMD,		
DRAWN - JMA		
CHECKED - AMD,		
DATE - 08/02/10		

SHEET NO. 20 26 SHEETS	F.A.I. RTE.	SECTION	COUNTY	TOTAL SHEETS	SHEET NO.
	55	0711.2R & 1011.1BR	COOK	200	24
			CONTRACT NO. 60L39		
FED. ROAD DIST. NO. 1 ILLINOIS FED. AID PROJECT					

4:31:47 PM p:\01345\beam and bearing fabrication\55ciframedtl6.dwg 8/13/2010