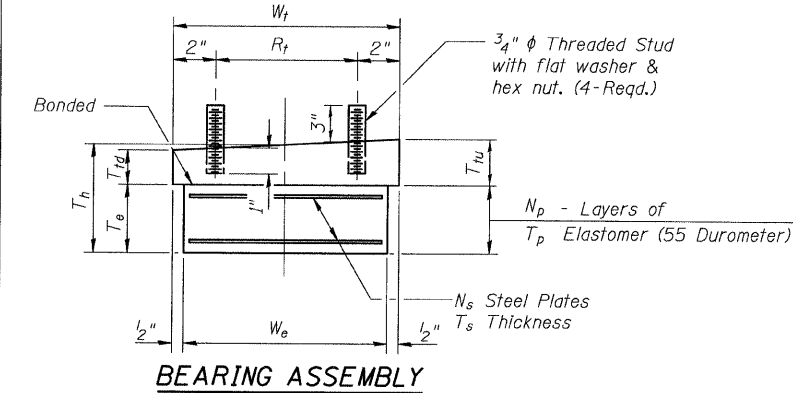
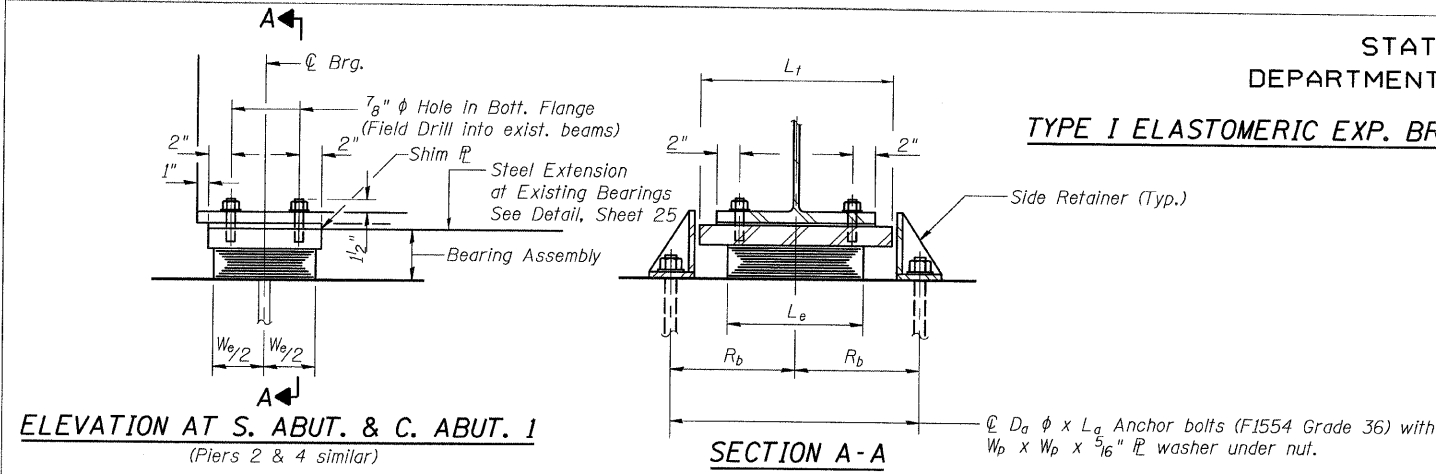
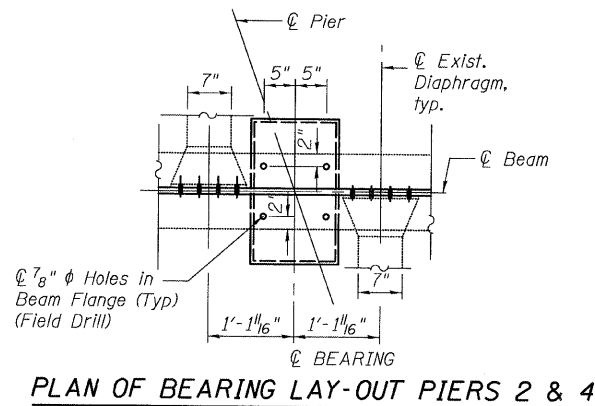


STATE OF ILLINOIS
DEPARTMENT OF TRANSPORTATION

TYPE I ELASTOMERIC EXP. BRG.



Note: Shim plates shall not be placed under Bearing Assembly.

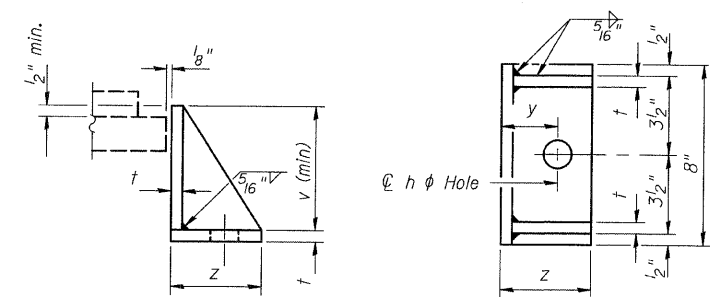
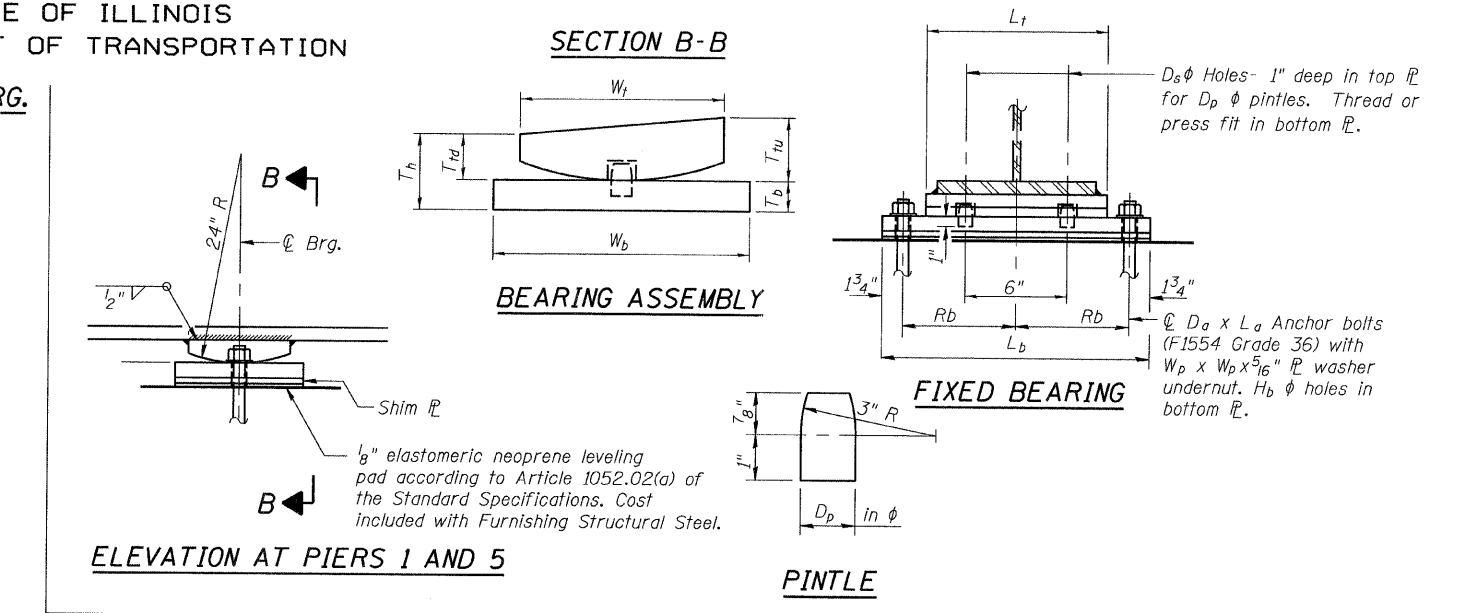


BEARING DIMENSION TABLE

(For Details of Type II Bearings, See Sheet 24)

Bearing Location	Beams	Type	No. Req'd.	T_h (in.)	Elastomer										Top Plate				Bottom Plate				Anchor Bolts				Pintles		Side Retainers				
					W_e (in.)	L_e (in.)	T_e (in.)	T_p (in.)	N_p	T_s (in.)	N_s	W_t (in.)	L_t (in.)	T_{td} (in.)	T_{tu} (in.)	R_t (in.)	W_b (in.)	L_b (in.)	T_b (in.)	D_a (in.)	L_a (in.)	R_b (in.)	H_b (in.)	W_p (in.)	D_p (in.)	D_s (in.)	y (in.)	z (in.)	t (in.)	h (in.)	v (in.)		
					W_e	L_e	T_e	T_p	N_p	T_s	N_s	W_t	L_t	T_{td}	T_{tu}	R_t	W_b	L_b	T_b	D_a	L_a	R_b	H_b	W_p	D_p	D_s	y	z	t	h	v		
South Abutment	I THRU 16	I	16	3 5/16	9	12	2 1/4	3/8	5	3/32	4	10	14	1 1/2	1 1/8	6	-	-	-	1	12	9 1/4	-	2 1/4	-	-	2 1/8	4	1/2	1 1/4	4		
South Abutment	SG1,SG2,SG3	I	3	3 5/16	9	12	2 1/4	3/8	5	3/32	4	10	14	1 1/2	1 1/8	6	-	-	-	1	12	9 1/4	-	2 1/4	-	-	2 1/8	4	1/2	1 1/4	4		
Pier 1		Fix																															
Pier 1	SG1,SG2,SG3	Fix	3									9	13 1/2	1	1 3/8		9	21	1 3/8	1	12	8 3/4	1 1/2	2 1/4	1 1/4	1 3/8							
Piers 2	I THRU 16	I	16	5 5/16	13	20	3 1/16	5/8	4	3/16	3	14	22	2 1/4	2 1/4	10	-	-	-	1	12	13 1/4	-	2 1/4	-	-	2 1/8	4	1/2	1 1/4	6		
Piers 2	SG1,SG2,SG3	I	3	5 5/16	13	20	3 1/16	5/8	4	3/16	3	14	22	2 1/4	2 1/4	10	-	-	-	1	12	13 1/4	-	2 1/4	-	-	2 1/8	4	1/2	1 1/4	6		
S. Brqs. Pier 3	I THRU 16	II	16	6 1/16	9	12	4 1/16	3/8	7	3/32	6	10	14	1 1/2	1 1/8	6	10	22 1/4	1	1	12	9 1/4	1 1/2	2 1/4	-	-	2 1/8	4	1/2	1 1/4	6		
S. Brqs. Pier 3	SG1,SG2,SG3	II	3	6 1/16	9	12	4 1/16	3/8	7	3/32	6	10	14	1 1/2	1 1/8	6	10	22 1/4	1	1	12	9 1/4	1 1/2	2 1/4	-	-	2 1/8	4	1/2	1 1/4	6		
N. Brqs. Pier 3	I THRU 16	II	16	6 13/16	9	12	4 1/16	3/8	7	3/32	6	10	14	1 1/2	1 1/8	6	10	22 1/4	1	1	12	9 1/4	1 1/2	2 1/4	-	-	2 1/8	4	1/2	1 1/4	6		
N. Brqs. Pier 3	SG4,SG8,SG9	II	3	6 13/16	9	12	4 1/16	3/8	7	3/32	6	10	14	1 1/2	1 1/8	6	10	22 1/4	1	1	12	9 1/4	1 1/2	2 1/4	-	-	2 1/8	4	1/2	1 1/4	6		
Pier 4	I THRU 16	I	16	5 5/16	13	20	3 1/16	5/8	4	3/16	3	14	22	2 1/4	2 1/4	10	-	-	-	1	12	13 1/4	-	2 1/4	-	-	2 1/8	4	1/2	1 1/4	6		
Pier 4	SG4,SG8,SG9	I	3	5 5/16	13	20	3 1/16	5/8	4	3/16	3	14	22	2 1/4	2 1/4	10	-	-	-	1	12	13 1/4	-	2 1/4	-	-	2 1/8	4	1/2	1 1/4	6		
Pier 5		Fix																															
Pier 5	SG4,SG8,SG9	Fix	3									9	13 1/2	1 1/4	1 1/2		11 1/2	21	1 3/4	1	12	8 3/4	1 1/2	2 1/4	1 1/4	1 3/8							
Pier 5																																	
Pier 5																																	
C. Abut. S. Bearing	I THRU 16	I	16	3 7/8	9	12	2 1/4	3/8	5	3/32	4	10	14	1 1/2	1 3/4	6	-	-	-	1	12	9 1/4	-	2 1/4	-	-	2 1/8	4	1/2	1 1/4	4		
C. Abut. S. Bearing	SG4,SG8,SG9	I	3	4 9/16	10	14	2 1/16	1/16	5	1/8	4	11	16	1 3/4	2	7	-	-	-	1	12	10 1/4	-	2 1/4	-	-	2 1/8	4	1/2	1 1/4	4		
C. Abut. S. Bearing	SG5,6,7,10,11,12	I	6	3 3/8	7	12	1 3/4	3/8	4	3/32	3	8	14	1 1/2	1 3/4	4	-	-	-	1	12	9 1/4	-	2 1/4	-	-	2 1/8	4	1/2	1 1/4	4		

* at \bar{P} Brg.



BILL OF MATERIAL

Item	Unit	Total
Furnishing Elastomeric Bearing Assembly Type I	Each	82

Notes:

Anchor bolts shall be ASTM F1554 all-thread (or an Engineer-approved alternate material) of the grade(s) and diameter(s) specified. ASTM A307 Grade C anchor bolts may be used in lieu of ASTM F1554 Grade 36 (Fy=36ksi). The corresponding specified grade of AASHTO M314 anchor bolts may be used in lieu of ASTM F1554.

Anchor bolts at fixed bearings may be either cast in place or installed in holes drilled after the supported member is in place.

Anchor bolts for side retainers may be cast in place or installed in holes drilled before or after members are in place.

Drilled and set anchor bolts shall be installed according to Article 521.06 of the Standard Specifications.

Side retainers and other steel members required for the bearing assembly shall be included in the cost of Furnishing Elastomeric Bearing Assembly, Type I.

The Structural Steel plates of the bearing assembly shall conform to the requirements of AASHTO M270 Grade 50.

Two 1/8" adjusting shims shall be provided for each bearing in addition to all other plates or shims and placed as shown on the bearing details.

ELASTOMERIC BEARINGS
TYPE I
STRUCTURE NO. 016-3241

TYLIN INTERNATIONAL	DESIGNED - JMA	REVISIONS		SHEET NO. 23	F.A.I. RTE.	SECTION	COUNTY	TOTAL SHEETS	SHEET NO.	
	CHECKED - AMD,	NAME	DATE							
	DRAWN - JMA									
	CHECKED - AMD,									
	DATE - 08/02/10			26 SHEETS		0711.2R & 1011.1BR	COOK	200	27	
						CONTRACT NO. 60L39				
						FED. ROAD DIST. NO. 1		ILLINOIS FED. AID PROJECT		

8/2/2010 2:41:55 PM at:01345\beam and bearing fabrication\155eltupel\den