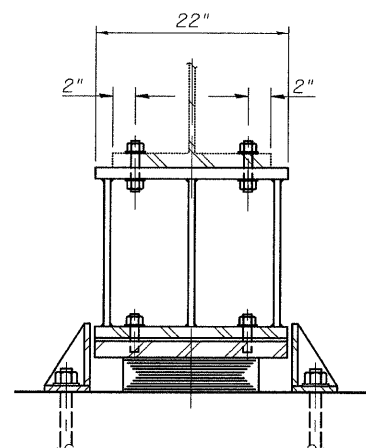
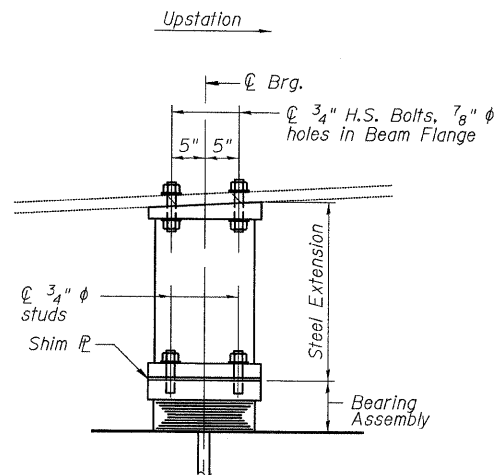


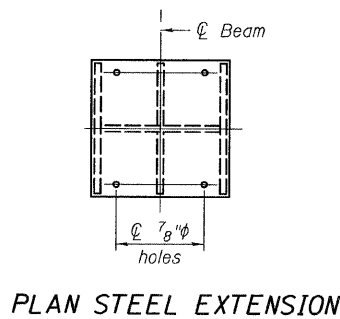
STATE OF ILLINOIS  
DEPARTMENT OF TRANSPORTATION



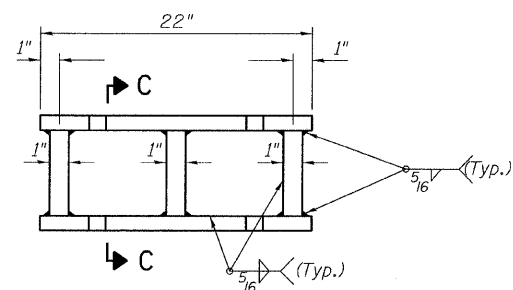
**SECTION B-B**



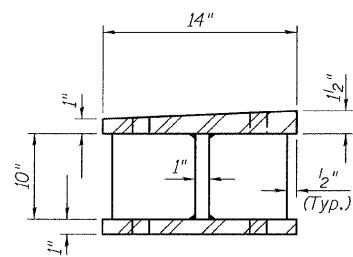
**BEARING ELEVATION WITH  
STEEL EXTENSION**



**PLAN STEEL EXTENSION**



**ELEVATION STEEL EXTENSION**



**SECTION C-C**

**NOTES**

The details shown on this sheet applies to the existing beams on Piers 2 and 4 only.

The Structural Steel plates shall conform to the requirements of AASHTO M270 Grade 50.

Prior to ordering any material, the Contractor shall verify in the field all bearing height and shim thickness dimensions.

Place 1/16" shim plate at each bearing, located as shown on this sheet.

Work this drawing with Sheet 23.

**STEEL EXTENSION DETAILS  
STRUCTURE NO. 016-3241**

**TYLIN** INTERNATIONAL

DESIGNED - JMA	REVISIONS	
CHECKED - AMD,	NAME	DATE
DRAWN - JMA		
CHECKED - AMD,		
DATE - 08/02/10		

SHEET NO. 25 26 SHEETS	F.A.I RTE.	SECTION	COUNTY	TOTAL SHEETS	SHEET NO.
	55	0711.2R & 1011.1BR	COOK	200	29
			CONTRACT NO. 60L39		
FED. ROAD DIST. NO. 1 ILLINOIS FED. AID PROJECT					