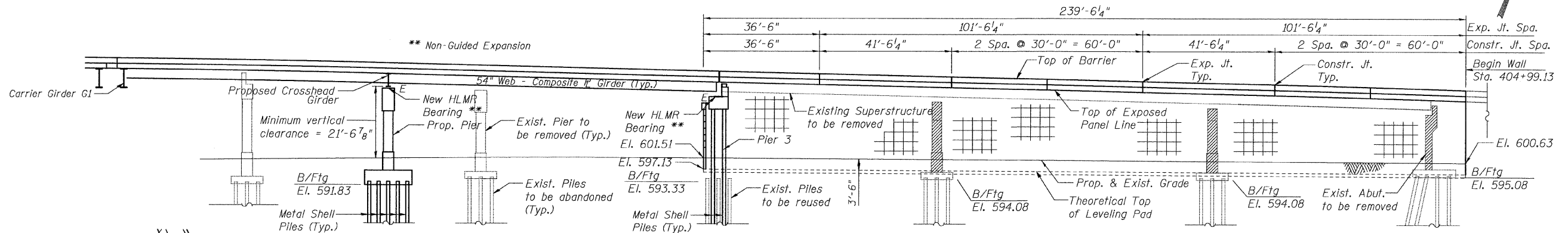
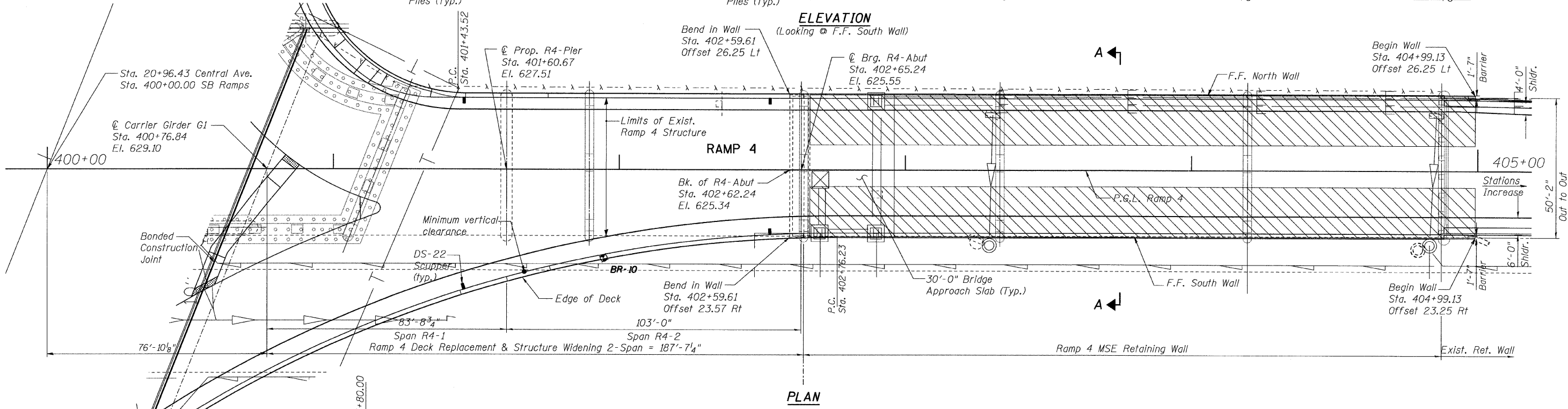


STATE OF ILLINOIS
DEPARTMENT OF TRANSPORTATION

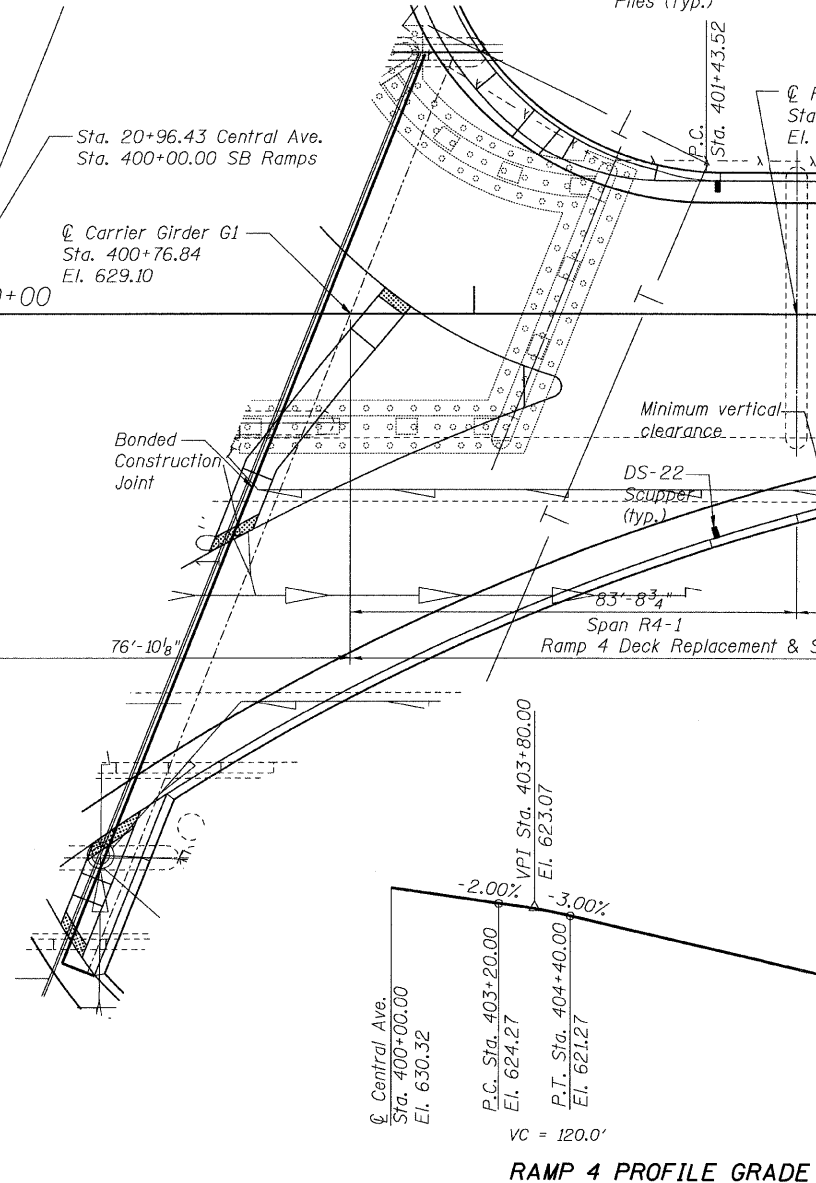
2/22/10 PM



ELEVATION
(Looking @ F.F. South Wall)



PLAN



RAMP 4 PROFILE GRADE

SCOPE OF WORK

- Spans 3-5**
- Remove and replace the existing structure with Mechanically Stabilized Earth Retaining Walls.
- Spans 1 & 2 (New Spans R4-1 & R4-2)**
- Remove existing deck and Structural Steel.
 - Remove Piers 1 and 2.
 - Construct R4-Pier.
 - Construct new Superstructure.

BORING LOCATIONS

No.	Station	*Offset
BR-10	401+96.7	31.0' RT

* Offset from PGL SB Ramps

Notes:

1. Wall stations and offsets are given to the front face of the precast concrete wall panels, and are measured from the SB Ramps Baseline

LEGEND

● Boring Location

GENERAL PLAN AND
ELEVATION - RAMP 4
STRUCTURE NO. 016-0724

TYLIN INTERNATIONAL

DESIGNED	REVISIONS
- JMA	NAME
CHECKED - AMD,	DATE
DRAWN - JMA	
CHECKED - AMD,	
DATE - 08/02/10	

SHEET NO. 7 137 SHEETS	F.A.I RTE. 55	SECTION 0711.2R & 1011.1BR	COUNTY COOK	TOTAL SHEETS 200	SHEET NO. 37
	CONTRACT NO. 60L39			FED. ROAD DIST. NO. 1 ILLINOIS FED. AID PROJECT	

p:\01345\beam and bearing_fabrication\155-4spe.dwg

8/2/2010