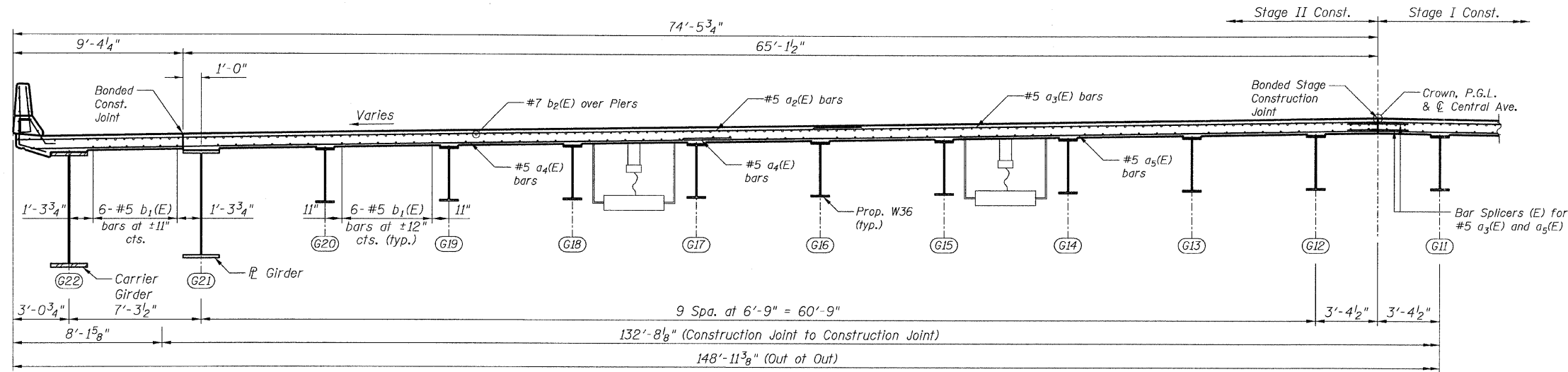
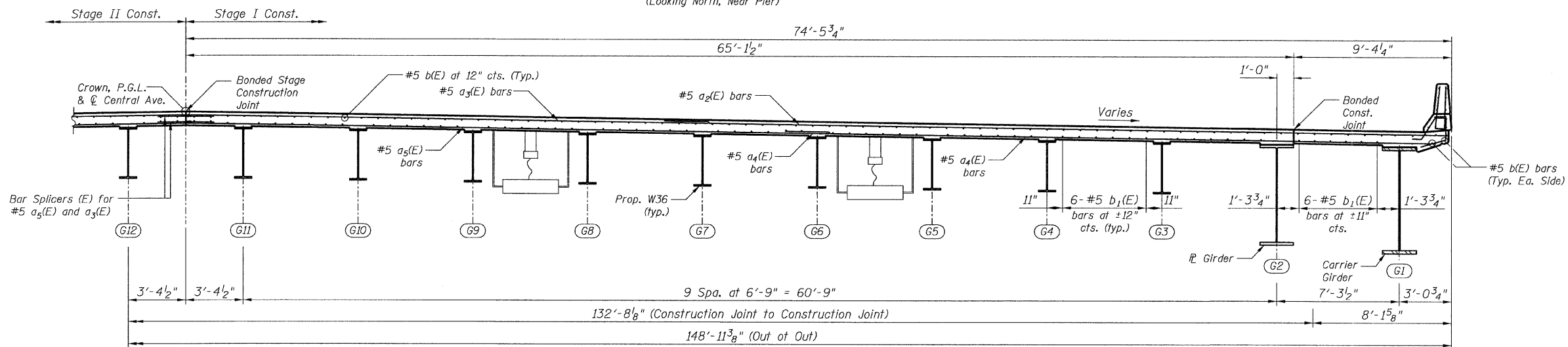


STATE OF ILLINOIS  
DEPARTMENT OF TRANSPORTATION



**HALF SECTION B-B**  
(Looking North, Near Pier)



**HALF SECTION B-B**  
(Looking North, Near Midspan)

**SUPERSTRUCTURE  
BILL OF MATERIAL**

Bar	No.	Size	Length (ft)	Shape
a(E)	16	#5	36.74	—
a1(E)	118	#5	49.21	—
a2(E)	1,038	#5	41.60	—
a3(E)	1,038	#5	34.65	—
a4(E)	748	#5	38.22	—
a5(E)	748	#5	38.35	—
a6(E)	740	#7	19.68	—
a7(E)	908	#7	39.37	—
a8(E)	122	#7	20.77	—
a9(E)	24	#5	1.97	—
b(E)	1,224	#5	38.06	—
b1(E)	1,160	#5	34.45	—
b2(E)	402	#5	45.93	—
b3(E)	748	#5	—	—
b4(E)	112	#4	—	—
b7(E)	56	#5	8'-0"	—
c1(E)	—	#5	—	—
c2(E)	40	#5	2'-6"	—
c3(E)	766	#5	1'-6"	—
c4(E)	112	#5	8'-3"	—
c5(E)	40	#4	5'-0"	—
x(E)	272	#5	4.20	—
Protective Coat		SQ FT	43,528	
Bridge Deck Grooving		SQ FT	38,146	
Concrete Superstructure		CU FT	28,816	
Reinforcement Bars, Epoxy Coated		LB		
Bar Splicers		EACH	952	

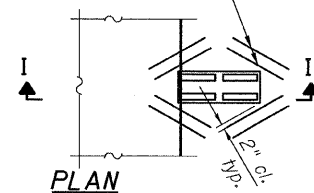
**NOTES:**

- Work this sheet with sheets.
- For locations of section B-B, see sheets.
- Concrete inserts and hanger assemblies for traffic signal conduits, refer to traffic signal plans for details. The cost of installation included with the pay item "Concrete Superstructure".
- Concrete inserts for underpass lighting shall be embedded in concrete. For numbers & locations of these items and installation details, refer to lighting plans. The cost of the embedded items included with the pay item "Concrete Superstructure".
- All deck construction joints shall be bonded construction joints.

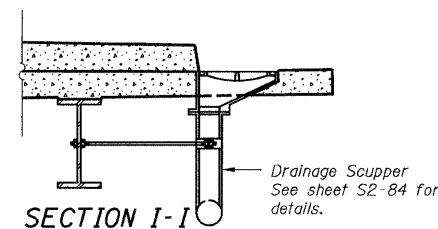
**BAR LAPS**

Bar Size	Min. Lap
#5	3'-3"
#7	5'-2"
#8	6'-9"

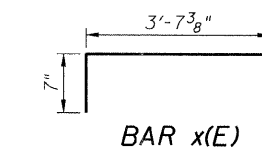
2- #5 a9(E) bars at 4" cts. tied to bottom of top reinforcement mat. (typ.)



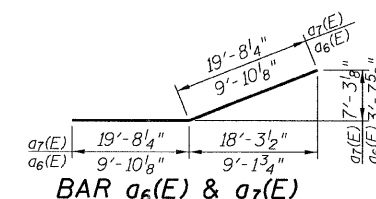
**PLAN  
DRAINAGE SCUPPER DS-12**



**SECTION I-I**



**BAR x(E)**



**BAR a6(E) & a7(E)**

**THIS SHEET FOR  
INFORMATION ONLY**

**SUPERST. CROSS SECTION  
STRUCTURE NO. 016-0724**

<b>TYLIN INTERNATIONAL</b>	DESIGNED -	REVISIONS		SHEET NO. 30	F.A.I RTE.	SECTION	COUNTY	TOTAL SHEETS	SHEET NO.					
	CHECKED - AMD,	NAME	DATE							55	0711.2R & 1011.1BR	COOK	200	60
	DRAWN - EMK									CONTRACT NO. 60L39				
	CHECKED - AMD,									FED. ROAD DIST. NO. 1 ILLINOIS FED. AID PROJECT				
	DATE - 08/02/10			137 SHEETS										