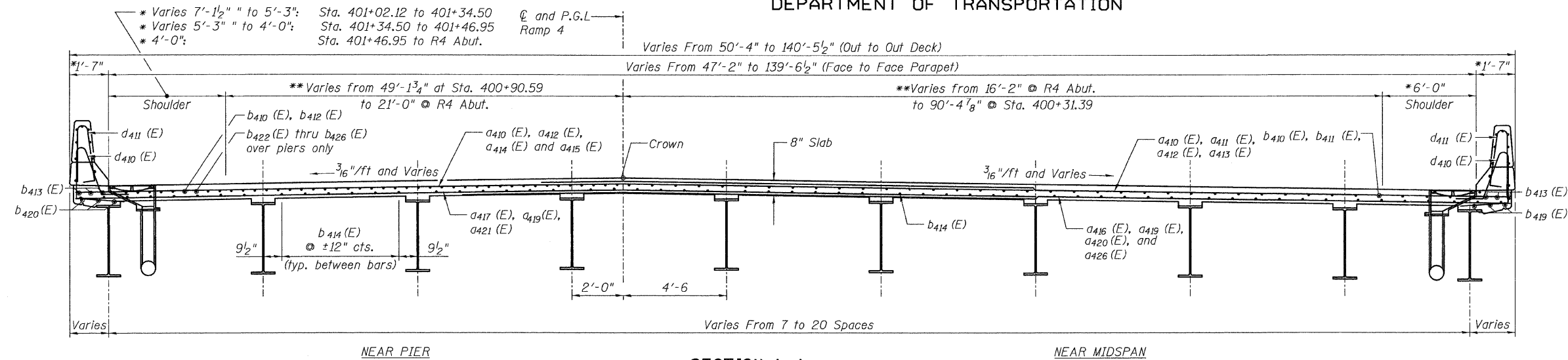


STATE OF ILLINOIS
DEPARTMENT OF TRANSPORTATION

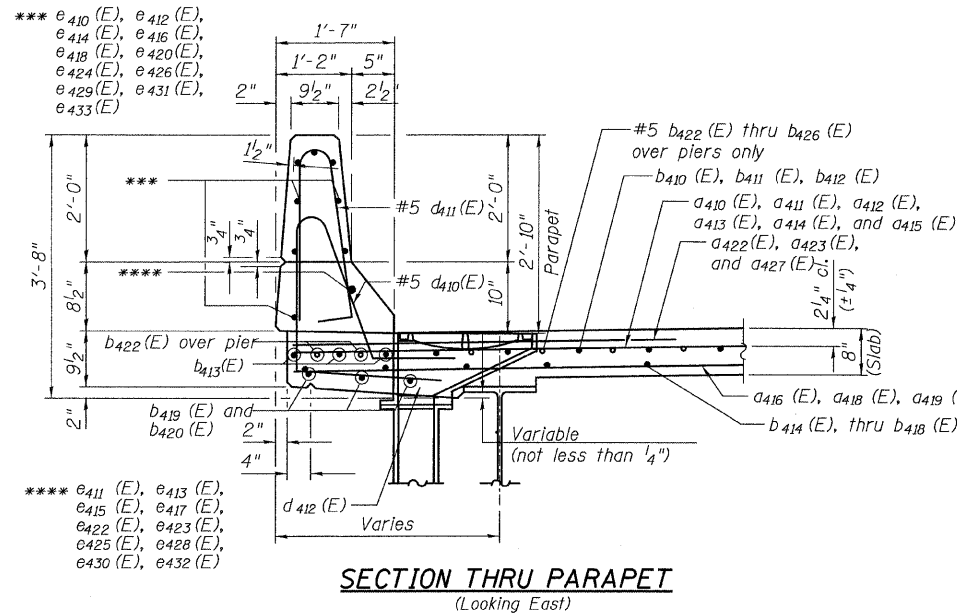
BILL OF MATERIAL



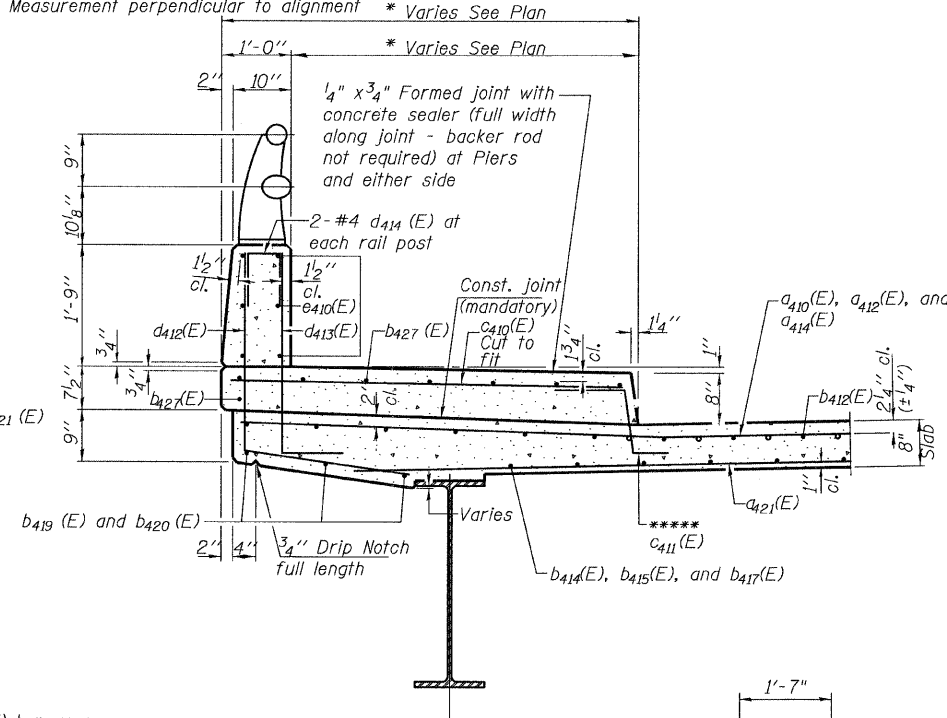
Bar	No.	Size	Length (ft)	Shape
d410 (E)	556	#5	25'-4"	
d411 (E)	325	#5	24'-0"	
d412 (E)	162	#5	23'-10"	
d413 (E)	78	#5	22'-0"	
d414 (E)	35	#5	16'-0"	
d415 (E)	53	#5	28'-6"	
d416 (E)	266	#5	25'-0"	
d417 (E)	174	#5	25'-8"	
d418 (E)	92	#5	24'-2"	
d419 (E)	266	#5	22'-6"	
d420 (E)	150	#5	25'-4"	
d421 (E)	73	#5	28'-2"	
d422 (E)	111	#6	6'-6"	
d423 (E)	28	#6	12'-0"	
d424 (E)	4	#5	26'-10"	
d425 (E)	148	#6	20'-0"	
d426 (E)	78	#5	26'-6"	
d427 (E)	168	#6	24'-0"	
d439 (E)	32	#5	2'-0"	

SECTION A-A
(Looking East)

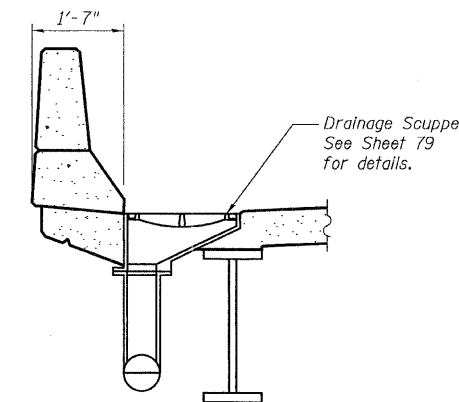
* Measurement perpendicular to parapet
** Measurement perpendicular to alignment



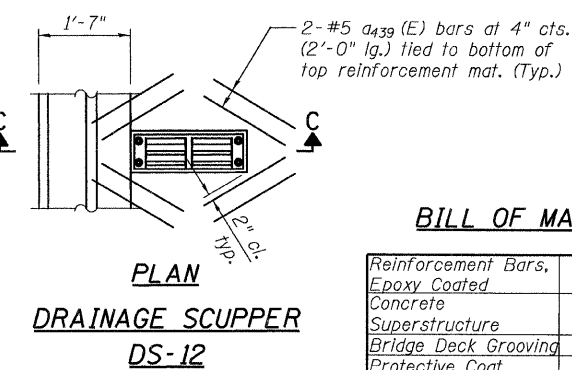
SECTION THRU PARAPET
(Looking East)



SECTION THRU SIDEWALK



SECTION C-C



PLAN
DRAINAGE SCUPPER
DS-12

BILL OF MATERIAL

Reinforcement Bars, Epoxy Coated	LB	125,100
Concrete Superstructure	CU YD	484
Bridge Deck Grooving	SQ YD	1,382
Protective Coat	SQ YD	1,782

b410 (E)	545	#5	27'-0"	
b411 (E)	18	#6	31'-8"	
b412 (E)	27	#5	31'-0"	
b413 (E)	54	#5	27'-3"	
b414 (E)	530	#5	27'-0"	
b415 (E)	11	#5	18'-11"	
b416 (E)	32	#5	26'-8"	
b417 (E)	18	#5	31'-3"	
b418 (E)	10	#5	33'-8"	
b419 (E)	24	#5	32'-10"	
b420 (E)	18	#5	32'-0"	
b421 (E)	12	#5	26'-2"	
b422 (E)	62	#5	30'-0"	
b423 (E)	1	#6	28'-3"	
b424 (E)	1	#6	24'-3"	
b425 (E)	1	#6	20'-6"	
b426 (E)	1	#6	17'-6"	
b427 (E)	14	#6	21'-10"	
c410 (E)	40	#5	5'-10"	
c411 (E)	40	#5	2'-4"	
d410 (E)	454	#5	7'-8"	
d411 (E)	454	#5	6'-10"	
d412 (E)	40	#4	4'-10"	
d413 (E)	40	#6	3'-9"	
d414 (E)	10	#4	2'-0"	
e410 (E)	12	#5	19'-0"	
e411 (E)	1	#8	11'-10"	
e412 (E)	8	#5	11'-10"	
e413 (E)	1	#8	16'-10"	
e414 (E)	8	#5	16'-10"	
e415 (E)	1	#8	15'-2"	
e416 (E)	8	#5	15'-2"	
e417 (E)	6	#8	37'-0"	
e418 (E)	30	#5	17'-4"	
e419 (E)	6	#5	33'-0"	
e420 (E)	30	#5	17'-9"	
e421 (E)	6	#5	33'-5"	
e422 (E)	6	#8	37'-6"	
e423 (E)	1	#8	15'-2"	
e424 (E)	8	#5	15'-2"	
e425 (E)	1	#8	16'-10"	
e426 (E)	8	#5	16'-10"	
e427 (E)	8	#5	31'-10"	
e428 (E)	8	#8	35'-11"	
e429 (E)	42	#5	15'-10"	
e430 (E)	1	#8	12'-6"	
e431 (E)	8	#5	12'-6"	
e432 (E)	1	#8	23'-5"	
e433 (E)	8	#5	23'-5"	
x400 (E)	53	#5	4'-2"	
x401 (E)	53	#5	5'-1"	

CROSS SECTIONS & DETAILS
RAMP 4 FLARE
STRUCTURE NO. 016-0724

NOTES:

1. Reinforcement bars designated (E) shall be epoxy coated.
2. Bars indicated thus "47x8-#5" etc. indicates 47 lines of bars with 8 lengths per line.
3. For location of Section A-A, see Sheets.
4. Work this sheet with Sheets.
5. All deck construction joints shall be bonded construction joints.

*****In lieu of bottom leg c (E) bars may be cored and set according to article 509.06 of the Standard Specifications. Cored holes shall be roughened or scored per Manufacturer's Recommendations, maximum depth of cored hole shall not exceed 6".

TYLIN INTERNATIONAL

DESIGNED	JE, PK	REVISIONS	
CHECKED	AMD,	NAME	DATE
DRAWN	EMK		
CHECKED	AMD,		
DATE	08/02/10		

SHEET NO. 34	F.A.I. RTE.	SECTION	COUNTY	TOTAL SHEETS	SHEET NO.
137 SHEETS	55	0711.2R & 1011.1BR	COOK	200	64
CONTRACT NO. 60L39					
FED. ROAD DIST. NO. 1 ILLINOIS FED. AID PROJECT					