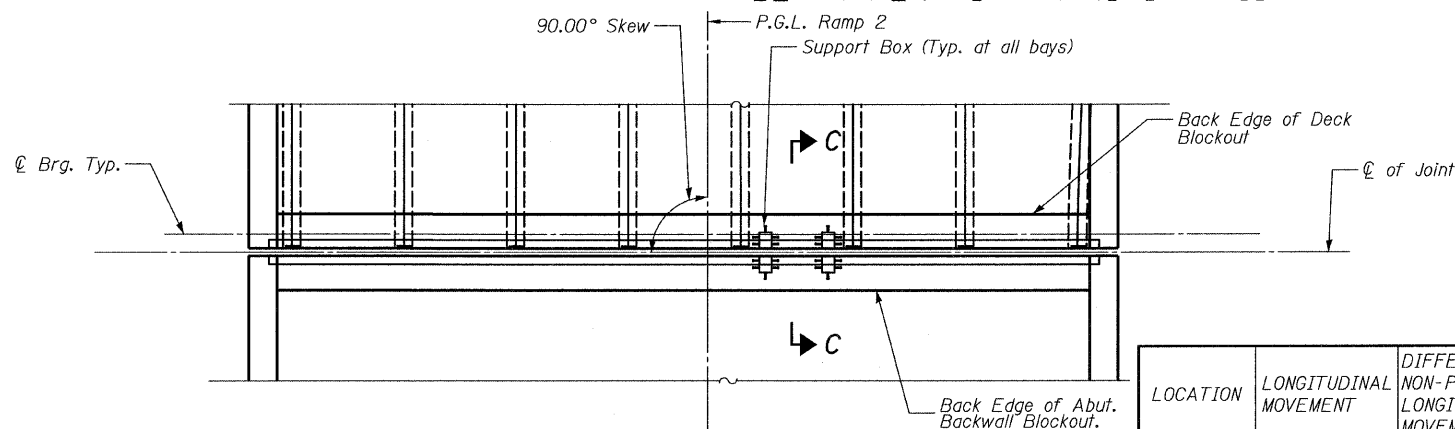
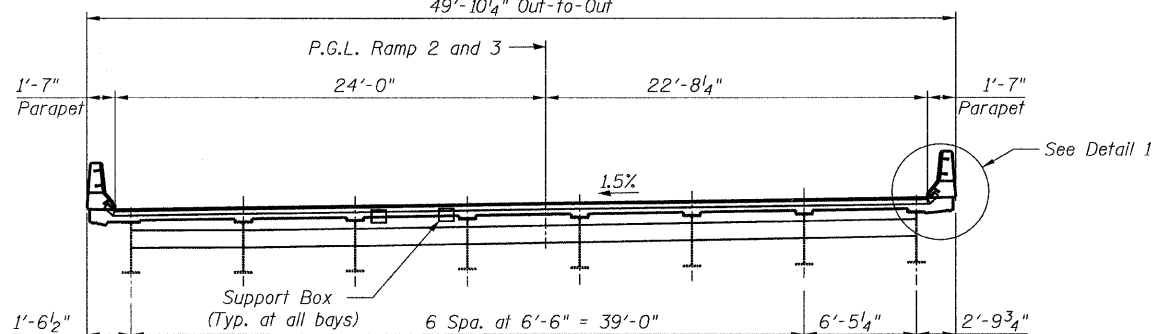


STATE OF ILLINOIS  
DEPARTMENT OF TRANSPORTATION



**PLAN VIEW RAMP 2**  
(Ramp 3 opposite hand)  
49'-10 1/4" Out-to-Out

LOCATION	LONGITUDINAL MOVEMENT	DIFFERENTIAL NON-PARALLEL LONGITUDINAL MOVEMENT	PARALLEL TRANSVERSE MOVEMENT	SIZE
Ramp 2	±1"	0"	±1"	6"
Ramp 3	±1"	0"	±1"	6"



**CROSS SECTION**

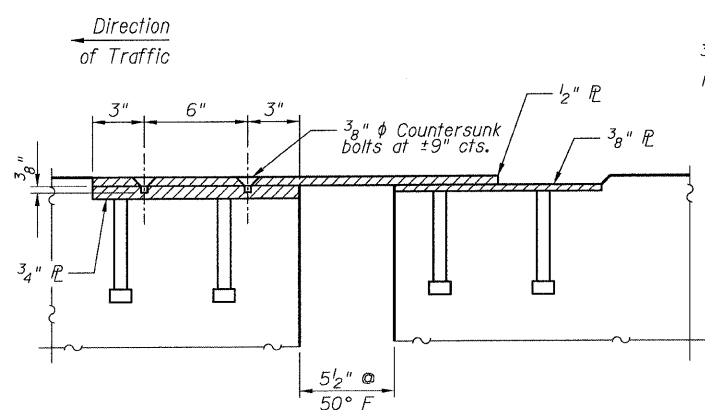
(Looking Upstation - Ramp 2)  
(Looking Downstation - Ramp 3)

**GENERAL NOTES**

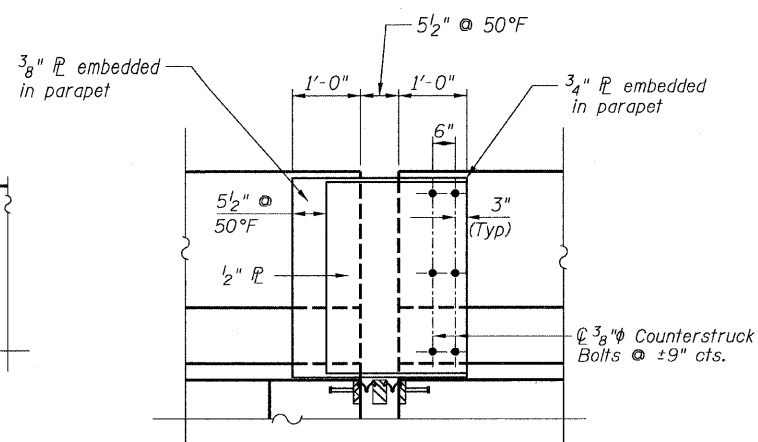
- The expansion joint device shall be a prefabricated modular assembly with multiple support bars and separator beams, providing a continuous seal across the deck.
- All splices of center beams and edge beams shall be full penetration welds. Upturn splices may be partial penetration welds.
- Joint shall be fabricated according to the manufacturer's recommendations and as shown in the Special Provisions for Modular Expansion Joint and as approved by the Engineer.
- Joint openings shall be adjusted according to Article 520.04 of the Standard Specifications when the concrete blockout is cast at an ambient temperature other than 50° F.
- Joint shall be fabricated to conform to the roadway profile and cross slope.
- The cost of furnishing all material for the sliding plate assemblies at the parapets and median barrier shall be included with Furnishing Modular Expansion Joints. The sliding plate assembly shall be galvanized.
- Countersunk bolts and concrete inserts shall be Hot-Dipped Galvanized according to AASHTO M232.
- Barrier plates to be AASHTO M270, Grade 36 and to be Hot-Dipped Galvanized according to AASHTO M111 after fabrication.
- 3/4" x 6" studs shall be according to Article 1006.32 of the Standard Specifications.
- All anchor studs shall be included with Furnishing Modular Expansion Joint (unless noted otherwise).
- Modular expansion joint shall be assembled in their final relative position with the ends in place for shop inspection and acceptance.

**BILLS OF MATERIAL**

LOCATION	ITEM	UNIT	TOTAL
Ramp 2	Furnishing Modular Expansion Joint-Swivel 6"	Foot	46.0
Ramp 3	Furnishing Modular Expansion Joint-Swivel 6"	Foot	46.0

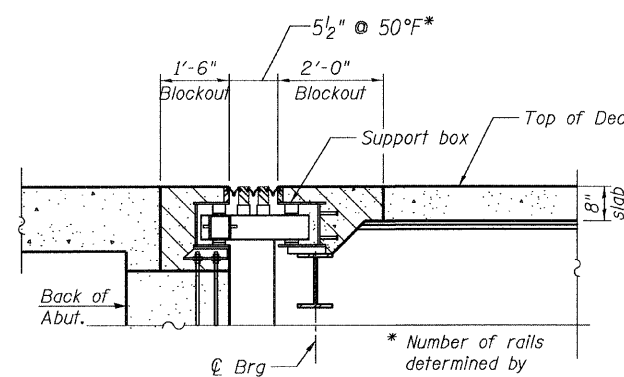


**SECTION A-A**

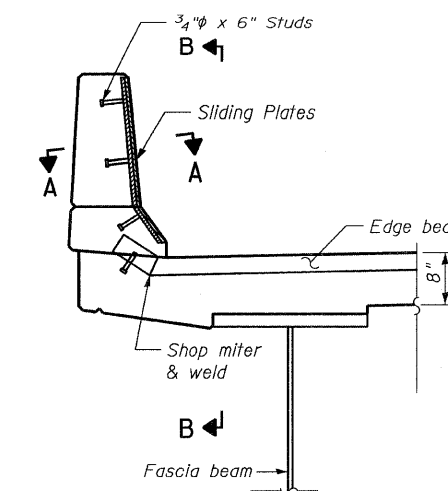


**VIEW B-B**

Note: Parapet shown. Studs not shown for clarity.



**SECTION C-C**



**DETAIL 1**

**RAMPS 2 & 3 MODULAR EXPANSION JOINT DETAILS AT ABUTMENT  
STRUCTURE NO. 016-0724**

**TYLIN INTERNATIONAL**

DESIGNED	MAU	REVISIONS	
CHECKED	AMD,	NAME	DATE
DRAWN	MRB		
CHECKED	AMD,		
DATE	08/02/10		

SHEET NO. 36  
137 SHEETS

F.A.I RTE.	SECTION	COUNTY	TOTAL SHEETS	SHEET NO.
55	0711.2R & 1011.1BR	COOK	200	66
CONTRACT NO. 60L39				
FED. ROAD DIST. NO. 1   ILLINOIS   FED. AID PROJECT				

p:\01345\beam and bearing fabrication\155r2ex.tdet.dgn 8/11/2010 1:05:54 PM