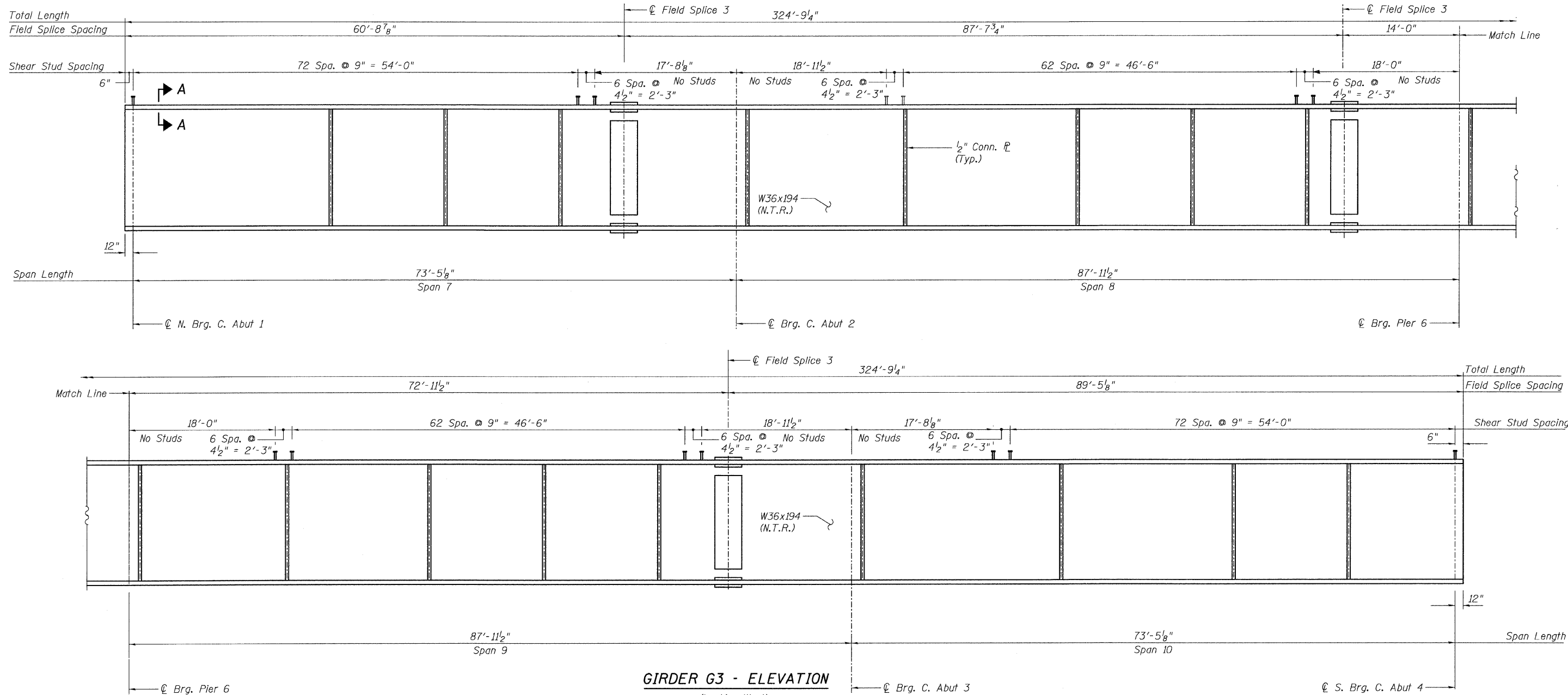
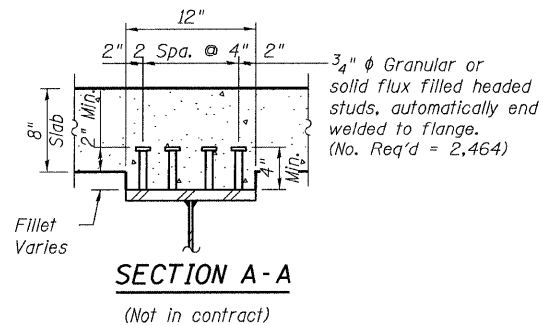


STATE OF ILLINOIS
DEPARTMENT OF TRANSPORTATION



GIRDER G3 - ELEVATION

(Looking West)
(Girder G20 Looking East)



NOTES:

- All steel on this sheet shall be AASHTO M 270 Grade 50.
- For Connection Plate details, see Sheet 53.
- For Field Splice detail, see Sheet 53.
- Load carrying components designated "NTR" shall conform to the supplemental requirements for Notch Toughness Zone 2.
- N.F. denotes Near Face.
- F.F. denotes Far Face.

GIRDER G3/G20 - ELEVATION
CENTRAL/I-55
STRUCTURE NO. 016-0724

TYLIN INTERNATIONAL

| | | |
|-----------------|-----------|------|
| DESIGNED - JMA | REVISIONS | |
| CHECKED - AMD, | NAME | DATE |
| DRAWN - JMA | | |
| CHECKED - AMD, | | |
| DATE - 08/02/10 | | |

| | | | | | |
|---|--------------------|--------------------|--------|--------------|-----------|
| SHEET NO. 50 | F.A.I. RTE. | SECTION | COUNTY | TOTAL SHEETS | SHEET NO. |
| | 55 | 0711.2R & 1011.1BR | COOK | 200 | 80 |
| 137 SHEETS | CONTRACT NO. 60L39 | | | | |
| FED. ROAD DIST. NO. 1 ILLINOIS FED. AID PROJECT | | | | | |

4:32:54 PM

p:\01345\beam and bearing_fabrication\155c2beam03.dwg

8/13/2010