

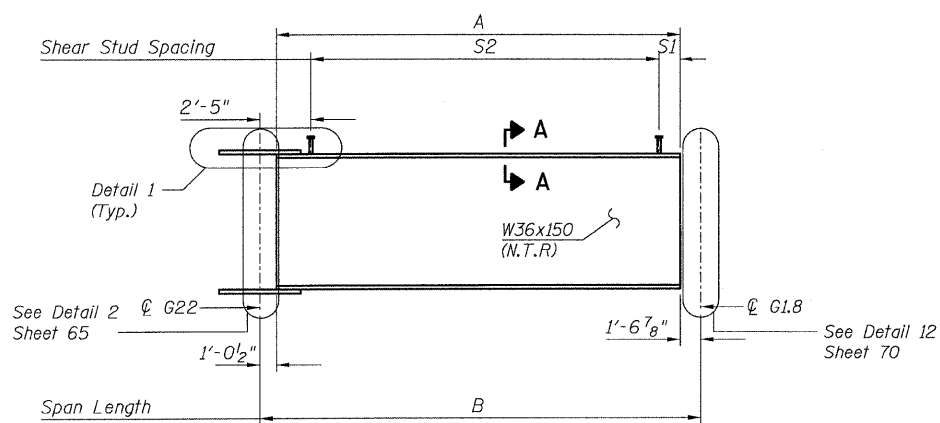
STATE OF ILLINOIS
DEPARTMENT OF TRANSPORTATION

GIRDER DIMENSIONS

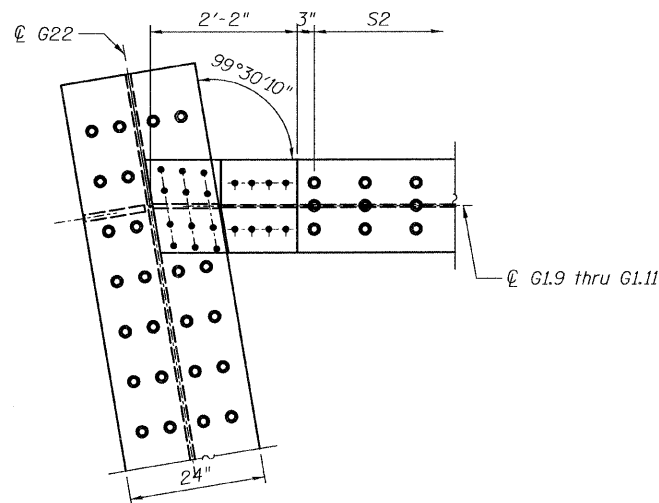
Girder	A	B
G1.9	8'-4 ⁵ / ₈ "	10'-9 ³ / ₈ "
G1.10	19'-1 ¹ / ₈ "	21'-6 ³ / ₈ "
G1.10A	29'-11 ¹ / ₄ "	32'-4"

SHEAR STUD SPACING

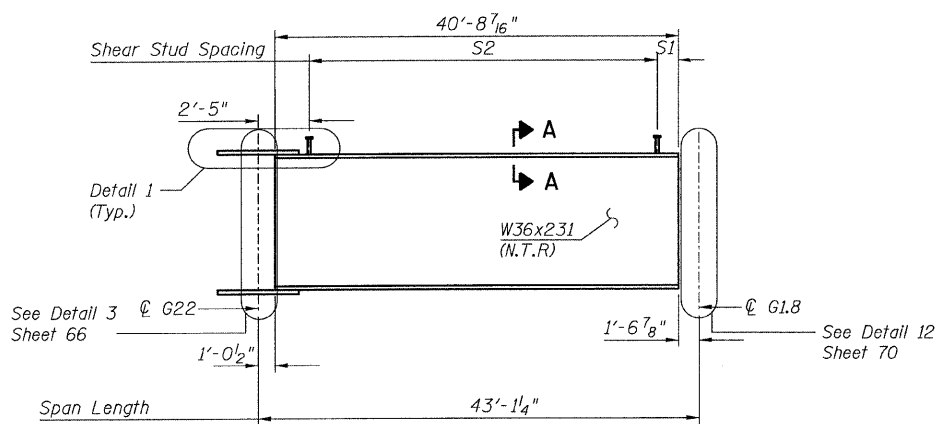
Girder	S1	S2
G1.9	9 ⁵ / ₈ "	3 Spa. @ 24" = 6'-0"
G1.10	1'-6 ¹ / ₈ "	8 Spa. @ 24" = 16'-0"
G1.10A	4 ¹ / ₄ "	14 Spa. @ 24" = 28'-0"
G1.11	7 ¹ / ₂ "	77 Spa. @ 6" = 38'-6"



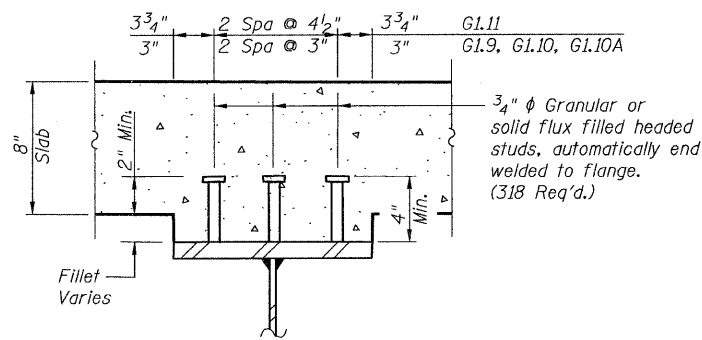
GIRDER ELEVATION - G1.9, G1.10 AND G1.10A
(Looking South)



DETAIL 1



GIRDER ELEVATION - G1.11
(Looking South)



SECTION A-A
Not in contract

TOP OF BEAM ELEVATIONS
(For Fabrication Only)

Location	Girder	G1.9	G1.10	G1.10A	G1.11
Centerline G1.8		625.15	624.90	624.65	624.41
Centerline G22		625.24	625.13	625.02	624.91

NOTES:

- All steel shown on this sheet shall conform to the requirements of AASHTO M270 GR 50.
- Load carrying components designated "NTR" shall conform to the supplemental requirements for Notch Toughness, Zone 2.
- N.F. - denotes Near Face.

GIRDER ELEVATIONS 3
RAMP 1 FLARE
S.N. 016-0724

TYLIN INTERNATIONAL	DESIGNED - EKH, JMA, PK	REVISIONS		SHEET NO. 59	F.A.I. RTE. 55	SECTION 0711.2R & 1011.1BR	COUNTY COOK	TOTAL SHEETS 200	SHEET NO. 89	
	CHECKED - AMD,	NAME	DATE							CONTRACT NO. 60L39
	DRAWN - EKH, JMA, PK									
	CHECKED - AMD,									
DATE - 08/02/10										

4:41:49 PM

p:\01345\beam and bearing fabrication\55fframed\5.dgn

8/13/2010