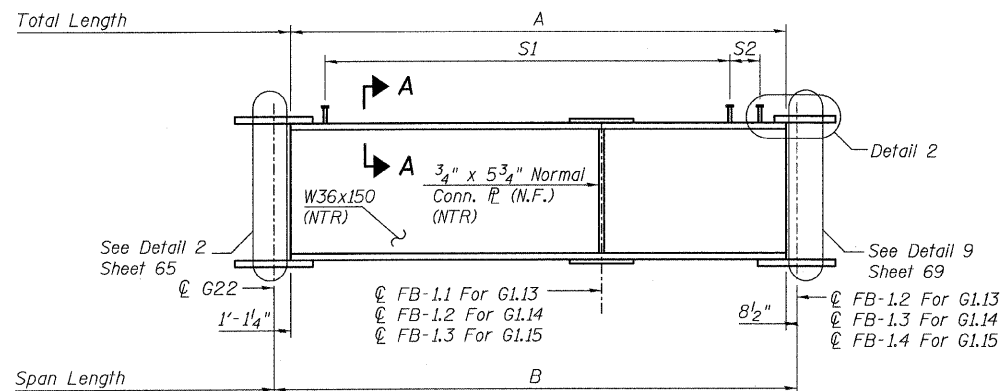


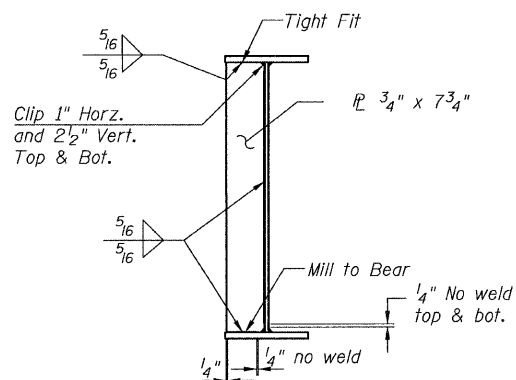
STATE OF ILLINOIS
DEPARTMENT OF TRANSPORTATION



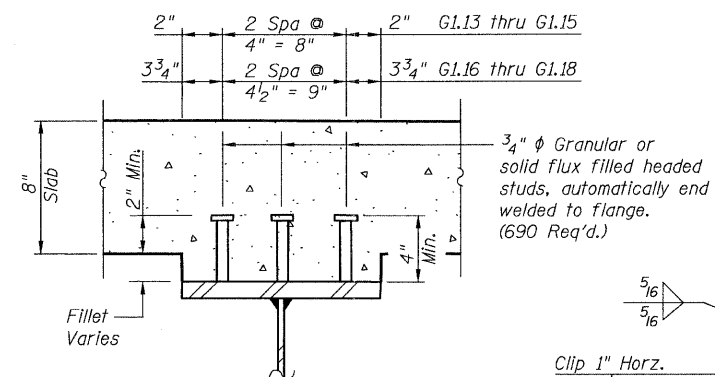
GIRDER ELEVATION - G1.13 THRU G1.15
(Looking South)

GIRDER DIMENSIONS
(Girders G1.13 thru G1.15)

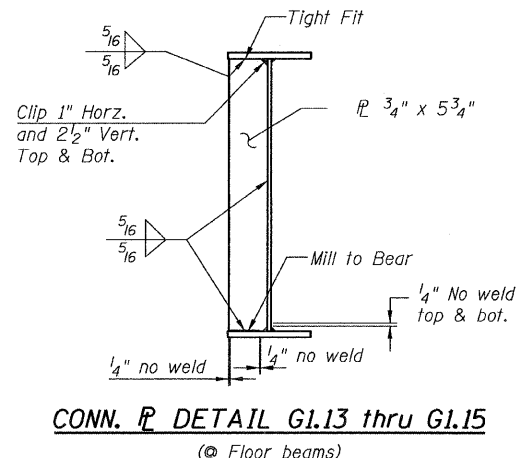
	A	B	S1	S2
G1.13	12'-1 3/4"	13'-11 1/2"		
G1.14	21'-6"	23'-4 1/2"		
G1.15	33'-11 1/8"	35'-9 3/8"		



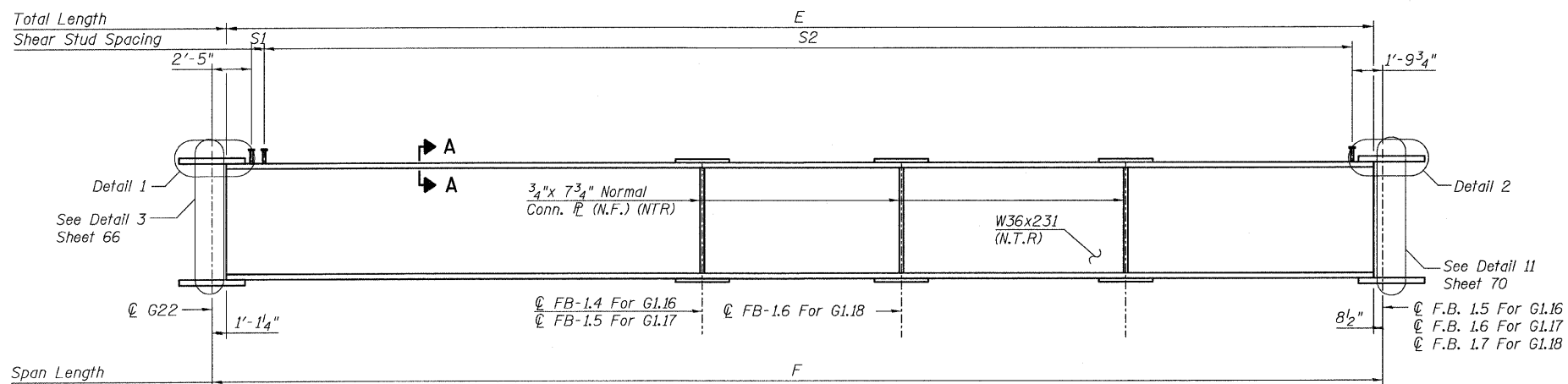
CONN. P DETAIL G1.16 THRU G1.18
(Floor beams & Cross frames)



SECTION A-A
Not in contract



CONN. P DETAIL G1.13 THRU G1.15
(Floor beams)



GIRDER ELEVATION - G1.16 THRU G1.18
(Looking South)

SHEAR STUD SPACINGS
(Girders G1.16 thru G1.18)

	S1	S2
G1.16	5 7/8" 58 Spa. @ 9" = 43'-6"	
G1.17	1 1/8" 75 Spa. @ 9" = 56'-3"	
G1.18	6 1/8" 91 Spa. @ 9" = 68'-3"	

GIRDER DIMENSIONS
(Girders G1.16 thru G1.18)

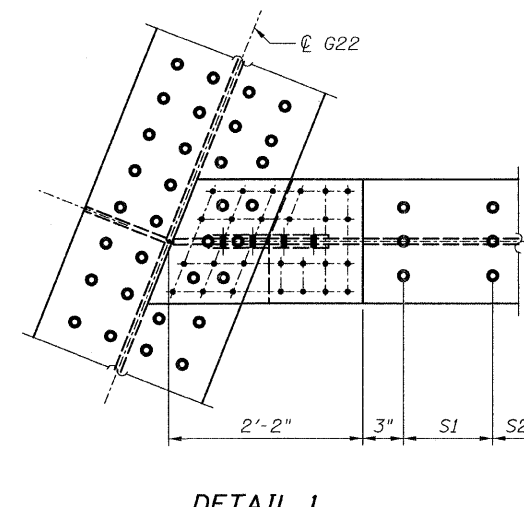
	E	F
G1.16	46'-4 1/8"	48'-2 5/8"
G1.17	58'-9 1/8"	60'-7 5/8"
G1.18	71'-2 1/8"	73'-0 5/8"

TOP OF BEAM ELEVATIONS
(For Fabrication Only)

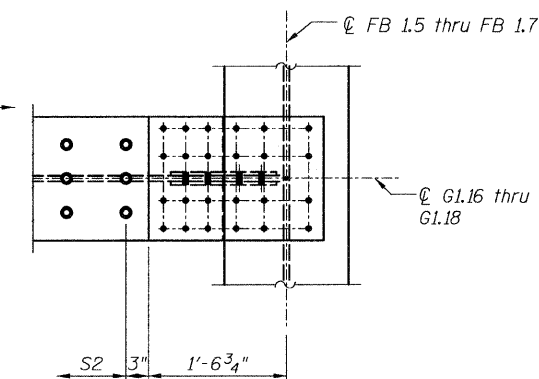
Location	Girder	G1.13	G1.14	G1.15	G1.16	G1.17	G1.18
Centerline G22		627.07	626.97	626.87	626.76	626.66	626.56
Centerline F.B.							

NOTES:

- All steel shown on this sheet shall conform to the requirements of AASHTO M270 GR 50.
- Load carrying components designated "NTR" shall conform to the supplemental requirements for Notch Toughness, Zone 2.
- N.F. denotes Near Face.



DETAIL 1



DETAIL 2

GIRDER ELEVATIONS 5
RAMP 1 FLARE
STRUCTURE NO. 016-0724

TYLIN INTERNATIONAL

DESIGNED	EKH, JMA, PK	REVISIONS	
CHECKED	AMD,	NAME	DATE
DRAWN	EKH, JMA, PK		
CHECKED	AMD,		
DATE	08/02/10		

SHEET NO. 61 137 SHEETS	F.A.I RTE.	SECTION	COUNTY	TOTAL SHEETS	SHEET NO.
	55	0711.2R & 1011.1BR	COOK	200	91
FED. ROAD DIST. NO. 1 ILLINOIS			FED. AID PROJECT		
CONTRACT NO. 60L39					

p:\01345\beam and bearing fabrication\1551\framed\17.dwg 8/13/2010 5:28:10 PM