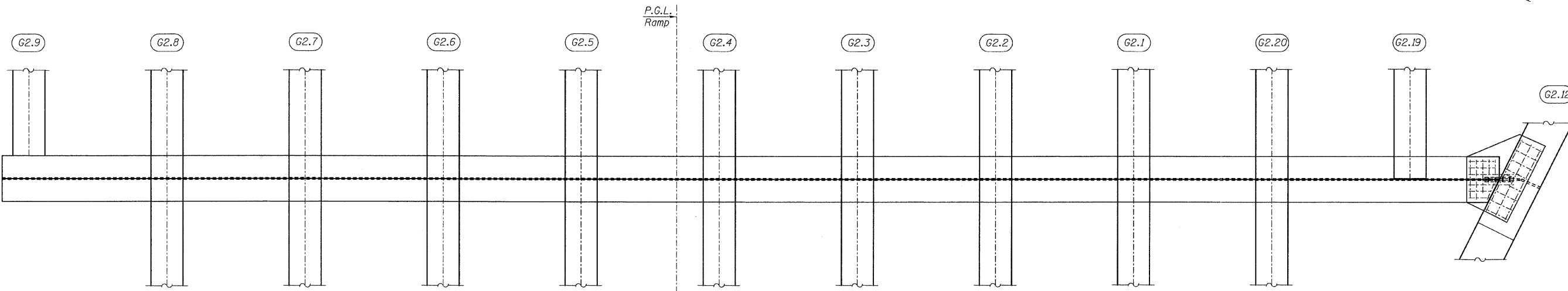
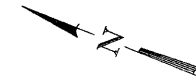
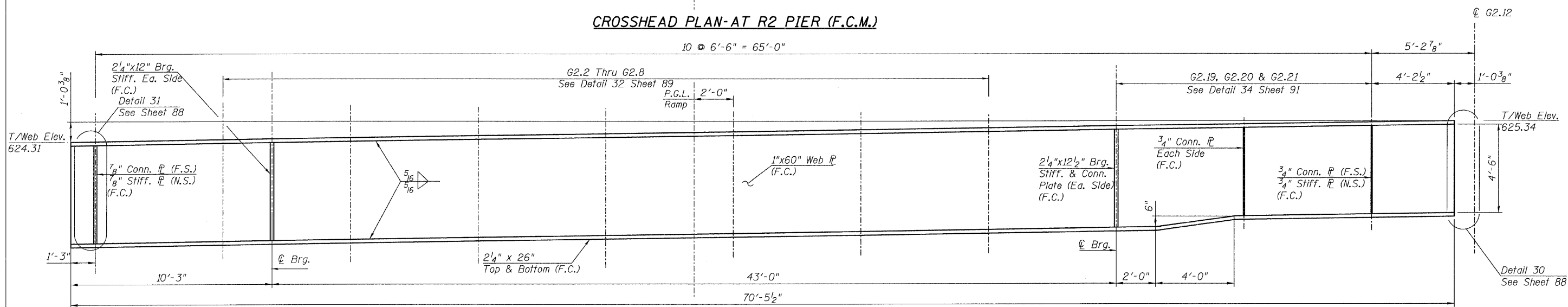


STATE OF ILLINOIS  
DEPARTMENT OF TRANSPORTATION



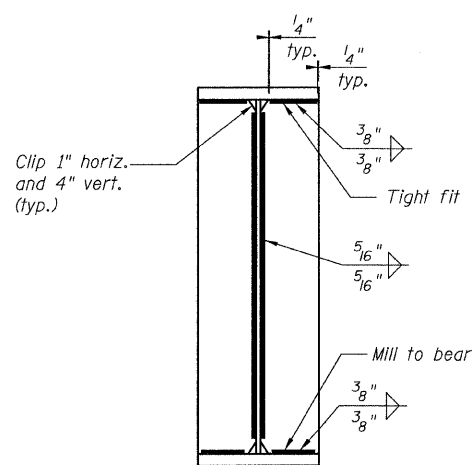
CROSSHEAD PLAN-AT R2 PIER (F.C.M.)



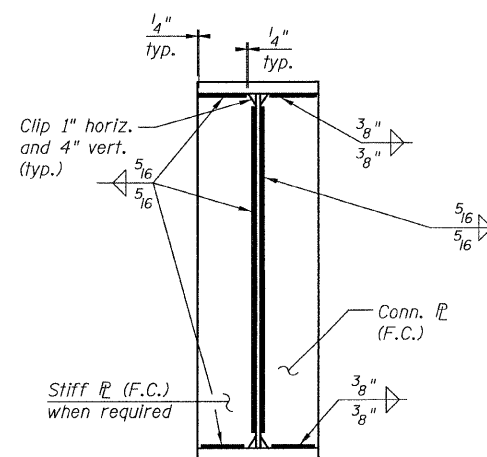
CROSSHEAD ELEVATION-AT R2 PIER (F.C.M.)  
(LOOKING EAST)

NOTES:

- All steel shown on this sheet shall be AASHTO M 270 Grade 50.
- Load carrying components designated "NTR" shall conform to the Supplemental Requirements for Notch Toughness, Zone 2.
- F.C. Indicates Fracture Critical Material, AASHTO Zone II.



BEARING STIFFENER



CONNECTION PLATE  
DETAIL

CROSSHEAD DETAILS  
RAMP 2 FLARE  
STRUCTURE NO. 016-0724

<b>TYLIN INTERNATIONAL</b>	DESIGNED - JPN	REVISIONS		SHEET NO. 81 137 SHEETS	F.A.I. RTE. 55	SECTION 0711.2R & 1011.1BR	COUNTY COOK	TOTAL SHEETS 200	SHEET NO. 111
	CHECKED - AMD,	NAME	DATE		CONTRACT NO. 60L39				
	DRAWN - JMA				FED. ROAD DIST. NO. 1 ILLINOIS FED. AID PROJECT				
	CHECKED - AMD,								
	DATE - 08/02/10								

p:\01345\beam\_and\_bearing\_fabrication\55f2\Framed\17.dwg 8/13/2010 4:42:01 PM