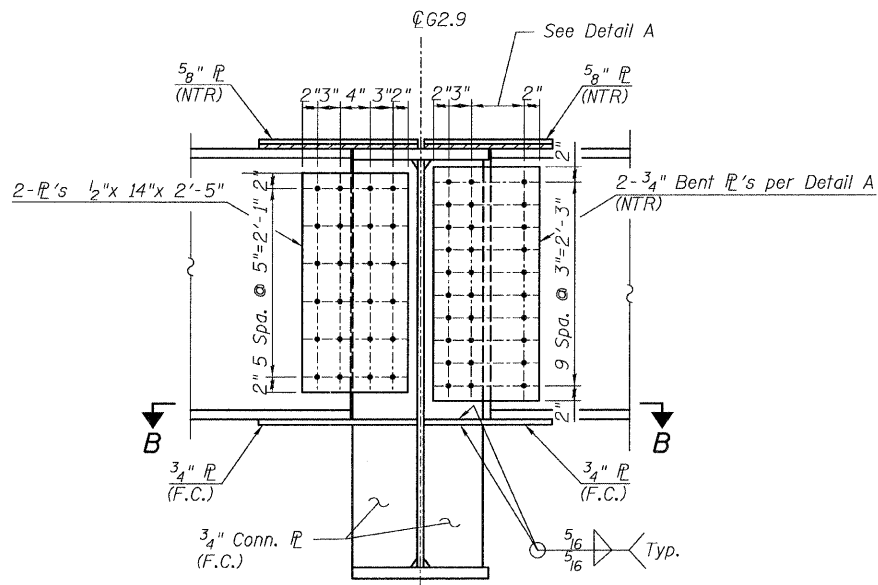
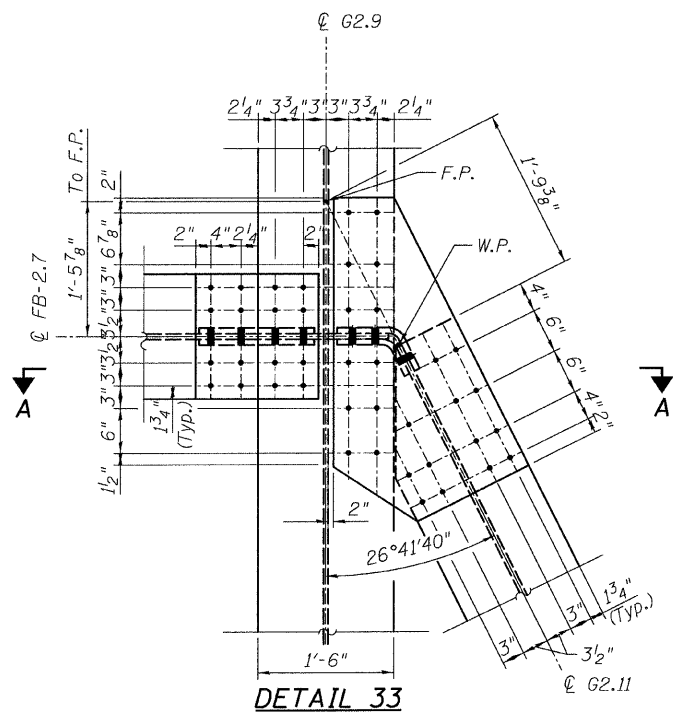


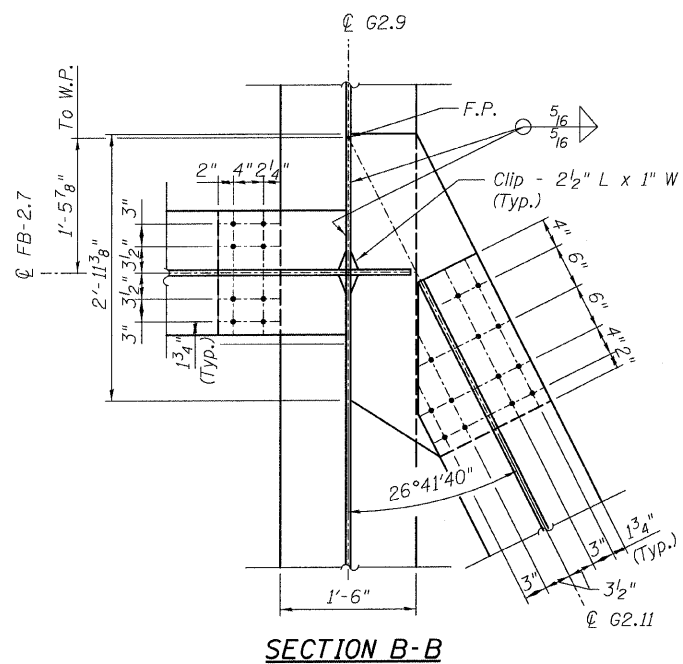
STATE OF ILLINOIS
DEPARTMENT OF TRANSPORTATION

NOTES:

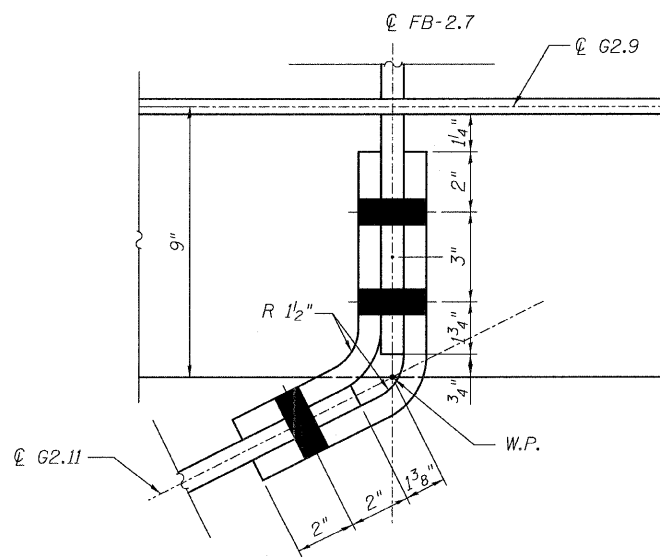
1. All steel shall be AASHTO M 270 Grade 50.
2. F.C. indicates Fracture Critical Material, AASHTO Zone 2.
3. Load carrying components designated "N.T.R." shall conform to the supplemental requirements for Notch Toughness, Zone 2.



SECTION A-A



SECTION B-B



DETAIL A

CONNECTION DETAIL 33
RAMP 2 FLARE
STRUCTURE NO. 016-0724

TYLIN INTERNATIONAL

DESIGNED - JPN	REVISIONS	
CHECKED - AMD,	NAME	DATE
DRAWN - JMA		
CHECKED - AMD,		
DATE - 08/02/10		

SHEET NO. 90
137 SHEETS

F.A.I RTE.	SECTION	COUNTY	TOTAL SHEETS	SHEET NO.
55	0711.2R & 1011.1BR	COOK	200	120
CONTRACT NO. 60L39				
FED. ROAD DIST. NO. 1 ILLINOIS FED. AID PROJECT				