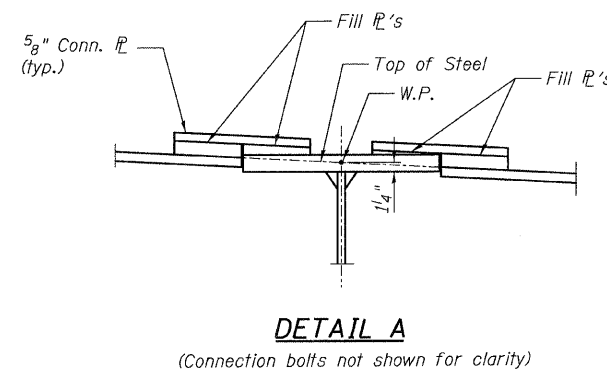
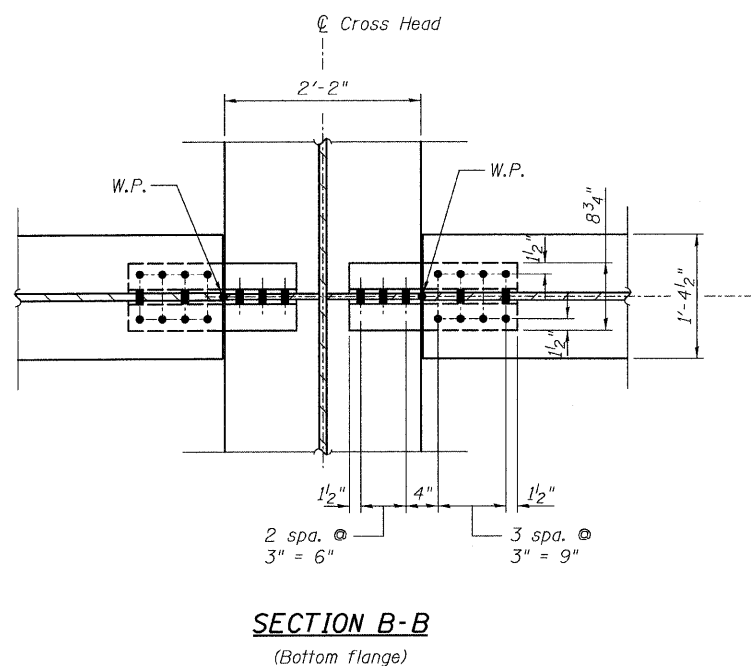
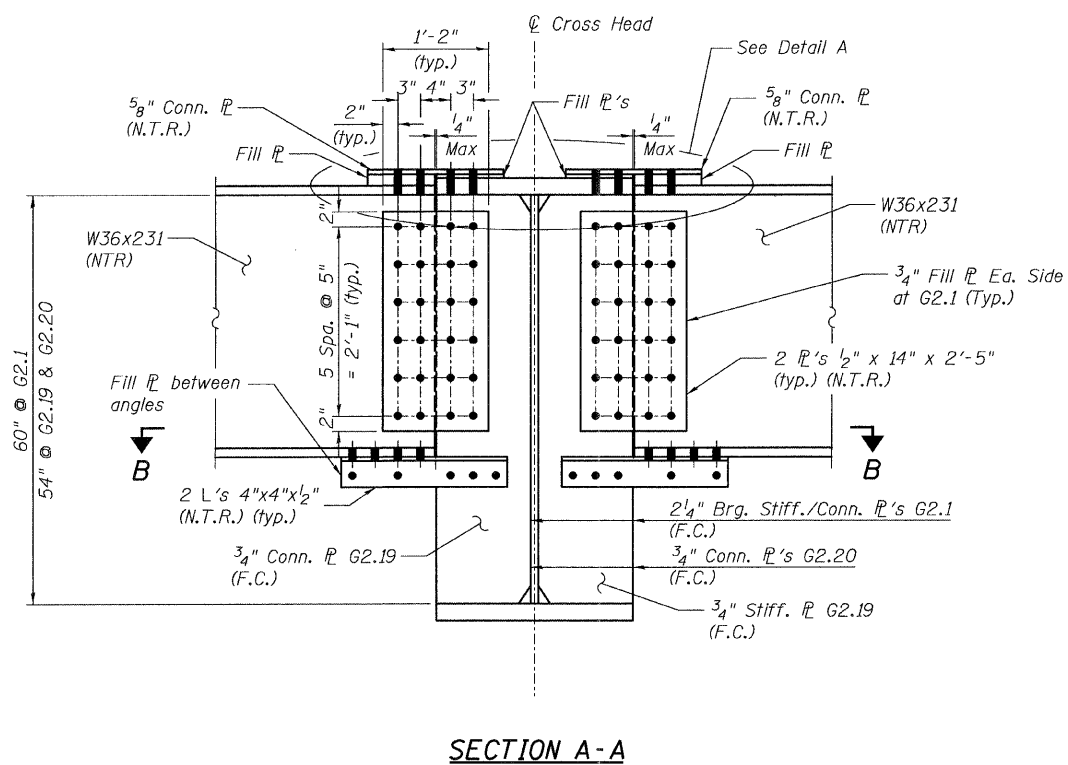
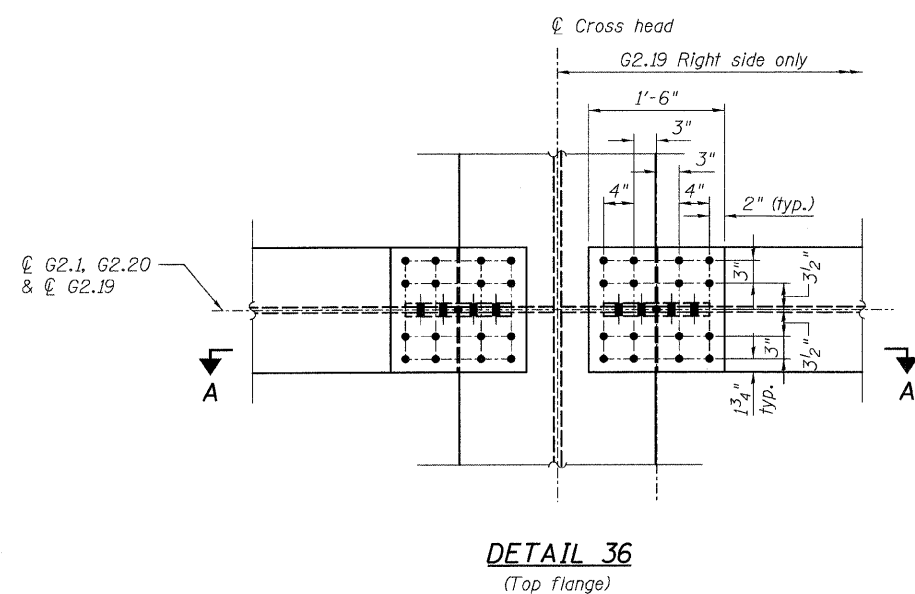


STATE OF ILLINOIS  
DEPARTMENT OF TRANSPORTATION



**NOTES:**

1. All steel shall be AASHTO M 270 Grade 50.
2. Load carrying components designated "N.T.R." shall conform to the Supplemental Requirements for Notch Toughness, Zone 2.
3. F.C. indicates Fracture Critical Material, AASHTO Zone 2.

**CONNECTION DETAILS 34  
RAMP 2 FLARE  
STRUCTURE NO. 016-0724**

<b>TYLIN INTERNATIONAL</b>	DESIGNED - JPN	REVISIONS	
	CHECKED - AMD,	NAME	DATE
	DRAWN - MAU		
	CHECKED - AMD,		
	DATE - 08/02/10		

SHEET NO. 91 137 SHEETS	F.A.I RTE. 55	SECTION 0711.2R & 1011.1BR	COUNTY COOK	TOTAL SHEETS 200	SHEET NO. 121
	CONTRACT NO. 60L39				
FED. ROAD DIST. NO. 1 ILLINOIS FED. AID PROJECT					