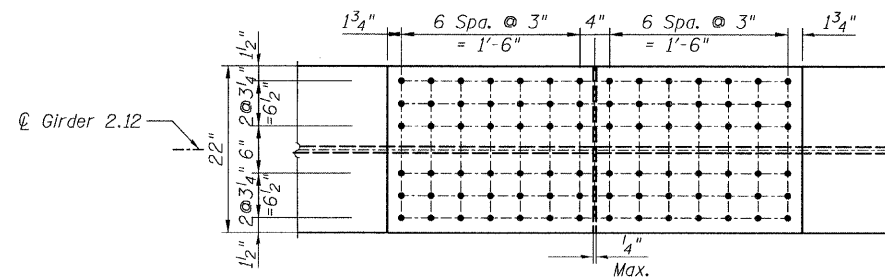
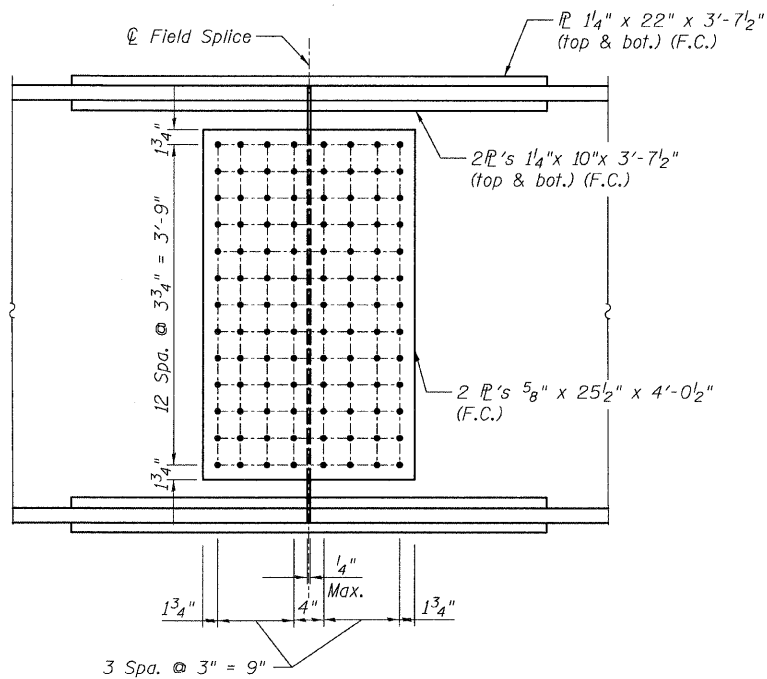


STATE OF ILLINOIS  
DEPARTMENT OF TRANSPORTATION



PLAN - TOP & BOTTOM FLANGE



ELEVATION

FIELD SPLICE F.S.-2.1 & 2.2  
(Girder 2.12)

**NOTES:**

1. All steel shall be AASHTO M270 Grade 50.
2. F.C. denotes Fracture Critical Material, AASHTO Zone 2.

**FIELD SPLICES  
RAMP 2 FLARE  
STRUCTURE NO. 016-0724**

<b>TYLIN INTERNATIONAL</b>	DESIGNED - MAU	REVISIONS	
	CHECKED - AMD,	NAME	DATE
	DRAWN - MAU		
	CHECKED - AMD,		
	DATE - 08/02/10		

SHEET NO. 92  137 SHEETS	F.A.I RTE.	SECTION	COUNTY	TOTAL SHEETS	SHEET NO.
	55	0711.2R & 1011.1BR	COOK	200	122
FED. ROAD DIST. NO. 1			ILLINOIS	CONTRACT NO. 60L39	
FED. AID PROJECT					