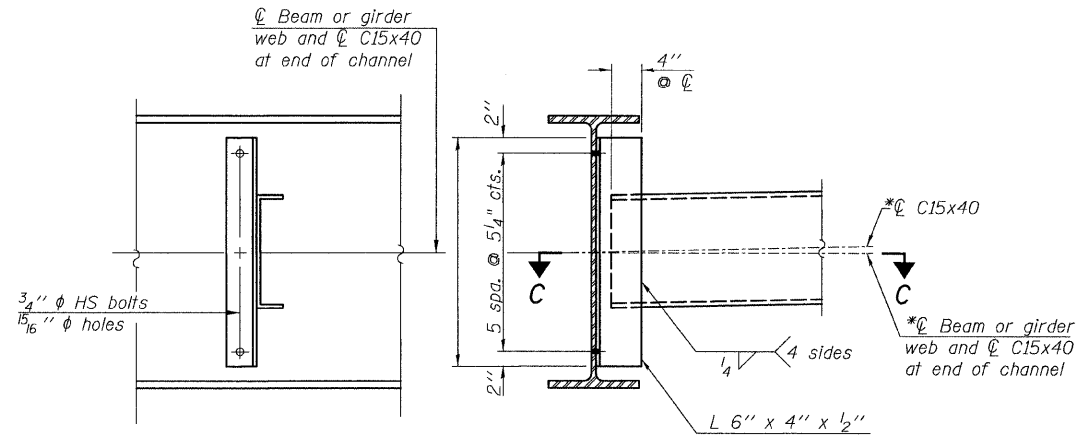


STATE OF ILLINOIS
DEPARTMENT OF TRANSPORTATION

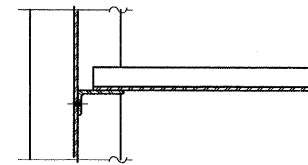


INTERIOR DIAPHRAGM

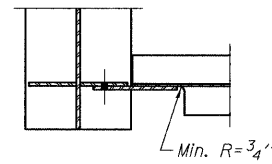
(D2.2)
(6 REQUIRED)

Note:

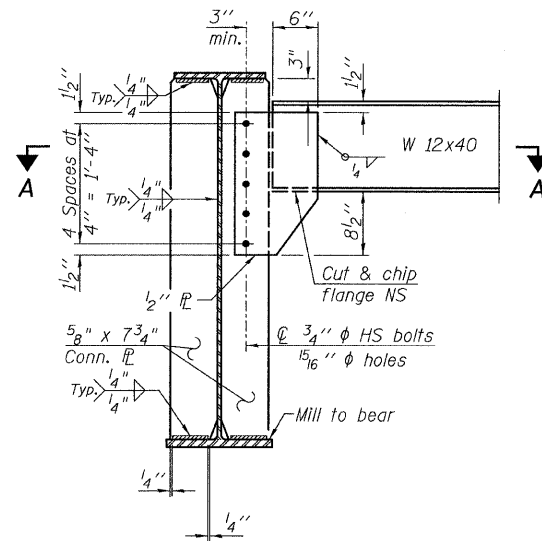
*Alternate channels C15x50 are permitted to facilitate material acquisition. Calculated weight of structural steel is based on the lighter section. The alternate, if utilized, shall be provided at no additional cost to the Department.



SECTION C-C

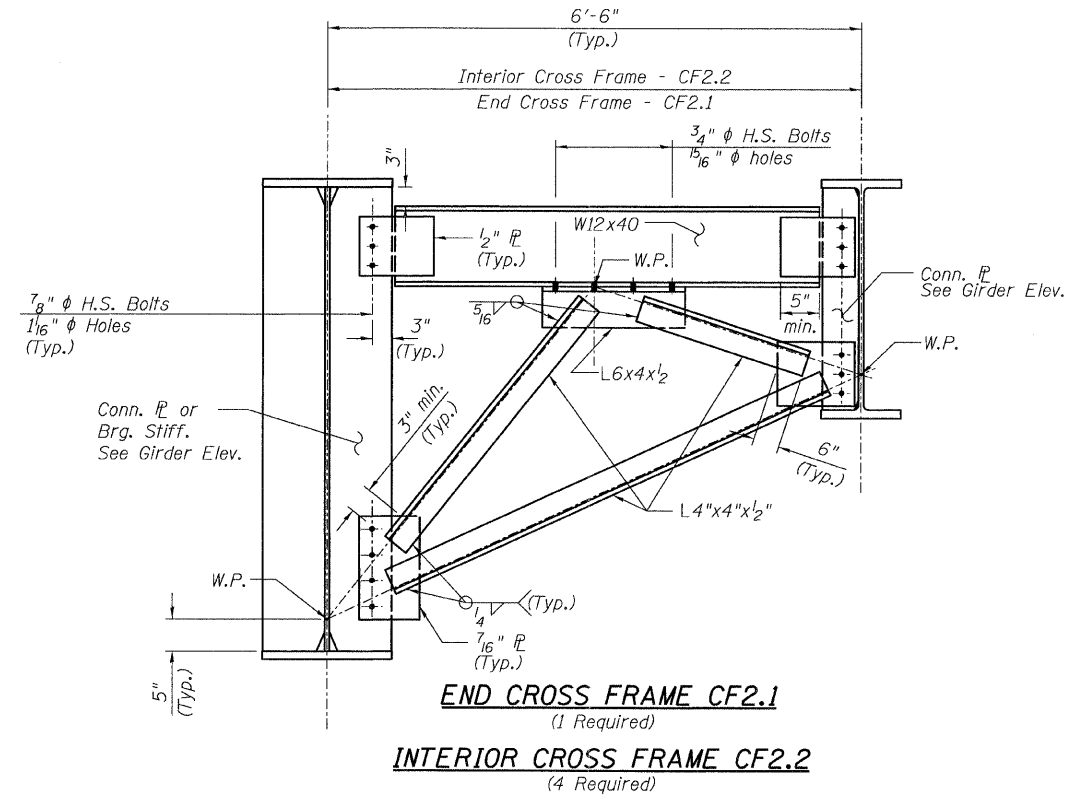


SECTION A-A



END DIAPHRAGM

(D2.1)
(6 REQUIRED)



NOTES:

- Two hardened washers shall be required over all oversize holes for diaphragms.
- All cross frames or diaphragms shall be installed as steel is erected and secured with erection pins and bolts except as otherwise noted. Individual cross frames or diaphragms at supports may be temporarily disconnected to install bearing anchor rods.
- All bolts shall be 3/4" ϕ with 15/16" ϕ holes unless otherwise noted.

**DIAPHRAGMS & DETAILS
RAMP 2 FLARE
STRUCTURE NO. 016-0724**

TYLIN INTERNATIONAL	DESIGNED - JPN	REVISIONS		SHEET NO. 93	F.A.I. RTE.	SECTION	COUNTY	TOTAL SHEETS	SHEET NO.	
	CHECKED - AMD,	NAME	DATE		55	0711.2R & 1011.1BR	COOK	200	123	
	DRAWN - MAU				CONTRACT NO. 60L39					
	CHECKED - AMD,				FED. ROAD DIST. NO. 1 ILLINOIS FED. AID PROJECT					
	DATE - 08/02/10			137 SHEETS						

p:\01345\beam_and_bearing_fabrication\45572framedt119.dgn 8/2/2010 2:13:26 PM