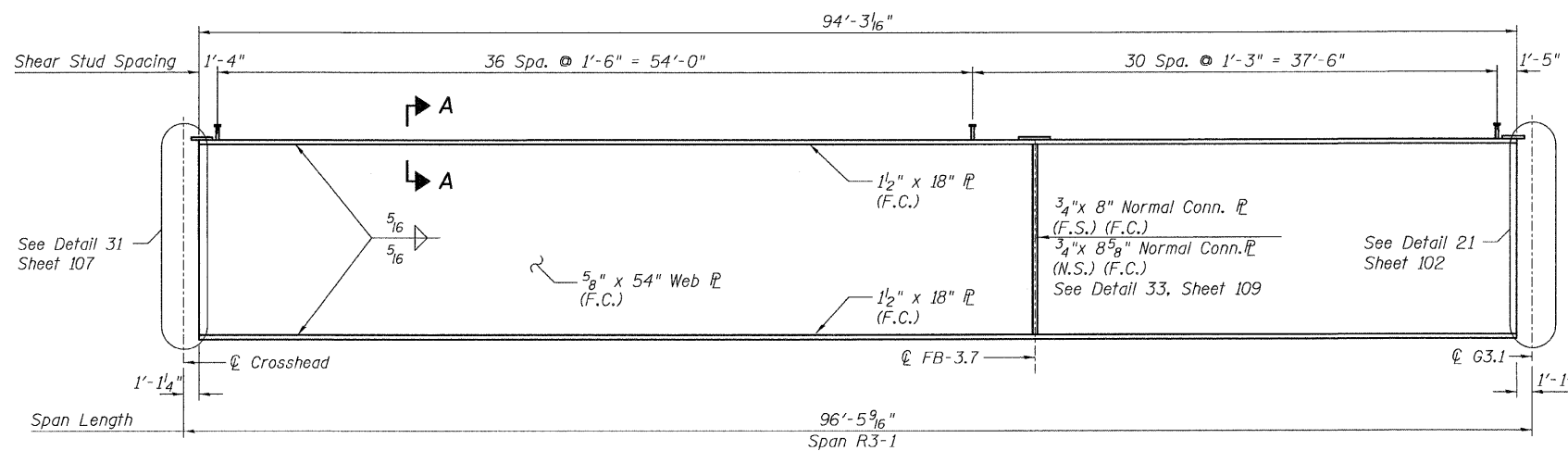
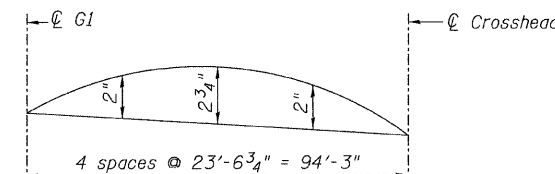


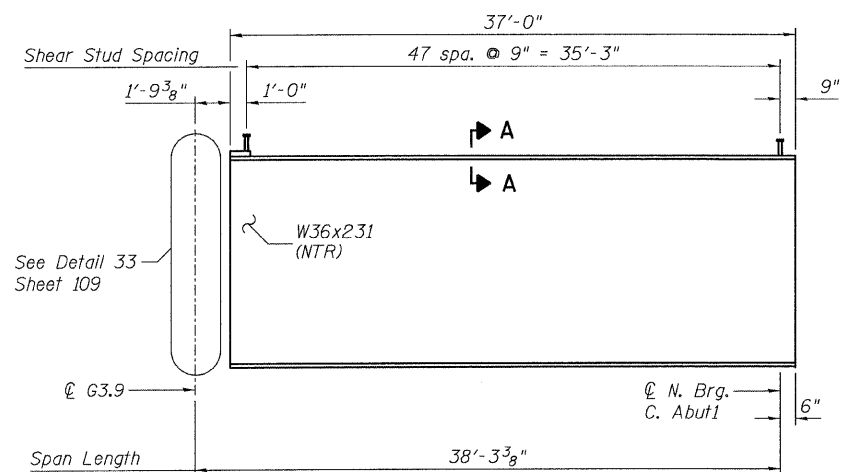
STATE OF ILLINOIS
DEPARTMENT OF TRANSPORTATION



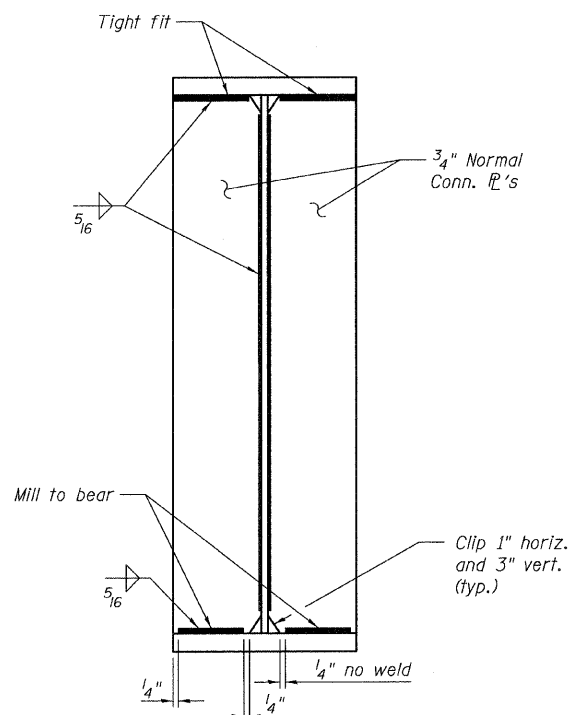
GIRDER ELEVATION - G3.9
(Looking South)



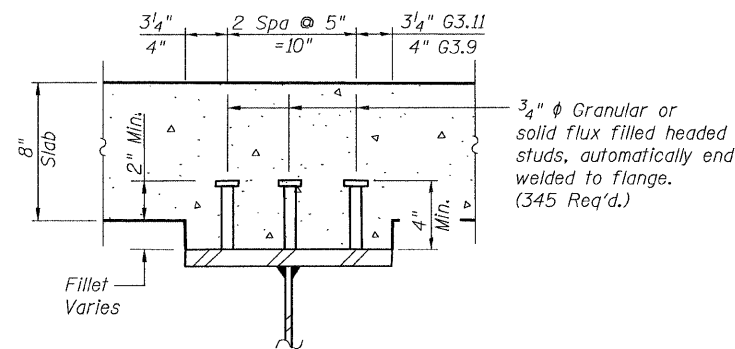
CAMBER DIAGRAM
Girder G3.9



GIRDER ELEVATION - G3.11
(Looking South)



CONNECTION P



SECTION A-A
(Not in contract)

NOTES:

- All steel shown on this sheet shall be Conform to the requirements of AASHTO M270 GR 50.
- Load carrying components designated "NTR" shall conform to the Supplemental Requirements for Notch Toughness, Zone 2.
- F.C. denotes Fracture Critical Material AASHTO Zone II.

GIRDER ELEVATIONS 2
RAMP 3 FLARE
STRUCTURE NO. 016-0724

TYLIN INTERNATIONAL	DESIGNED - JPN	REVISIONS		SHEET NO. 97 137 SHEETS	F.A.I RTE. 55	SECTION 0711.2R & 1011.1BR	COUNTY COOK	TOTAL SHEETS 200	SHEET NO. 127			
	CHECKED - AMD,	NAME	DATE							CONTRACT NO. 60L39		
	DRAWN - MAU									FED. ROAD DIST. NO. 1 ILLINOIS FED. AID PROJECT		
	CHECKED - AMD,											
	DATE - 08/02/10											