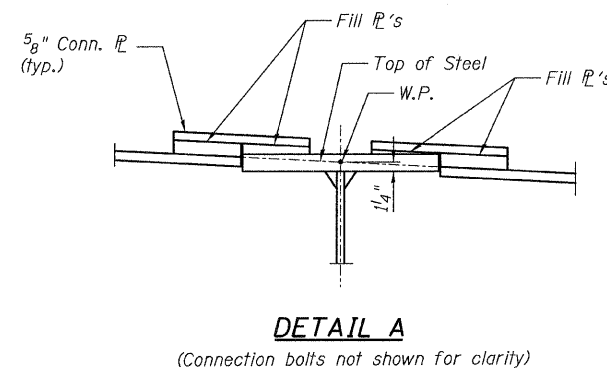
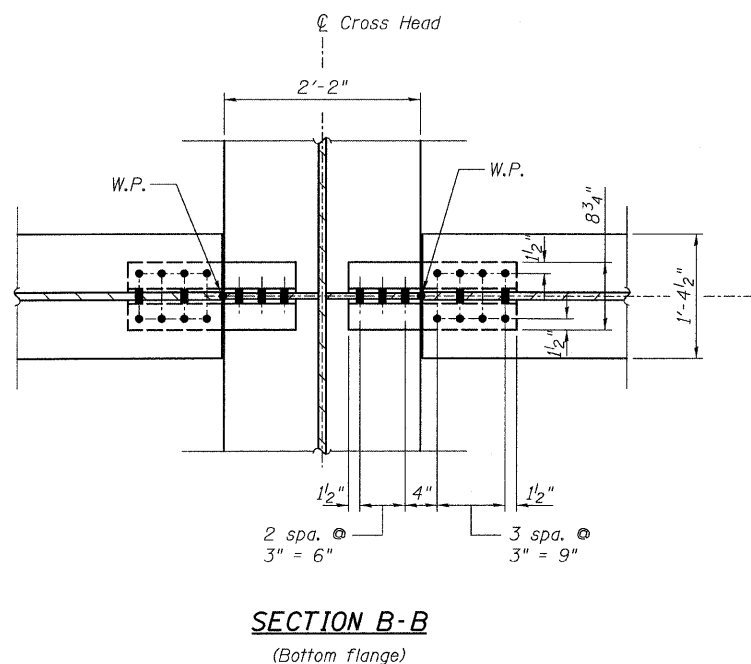
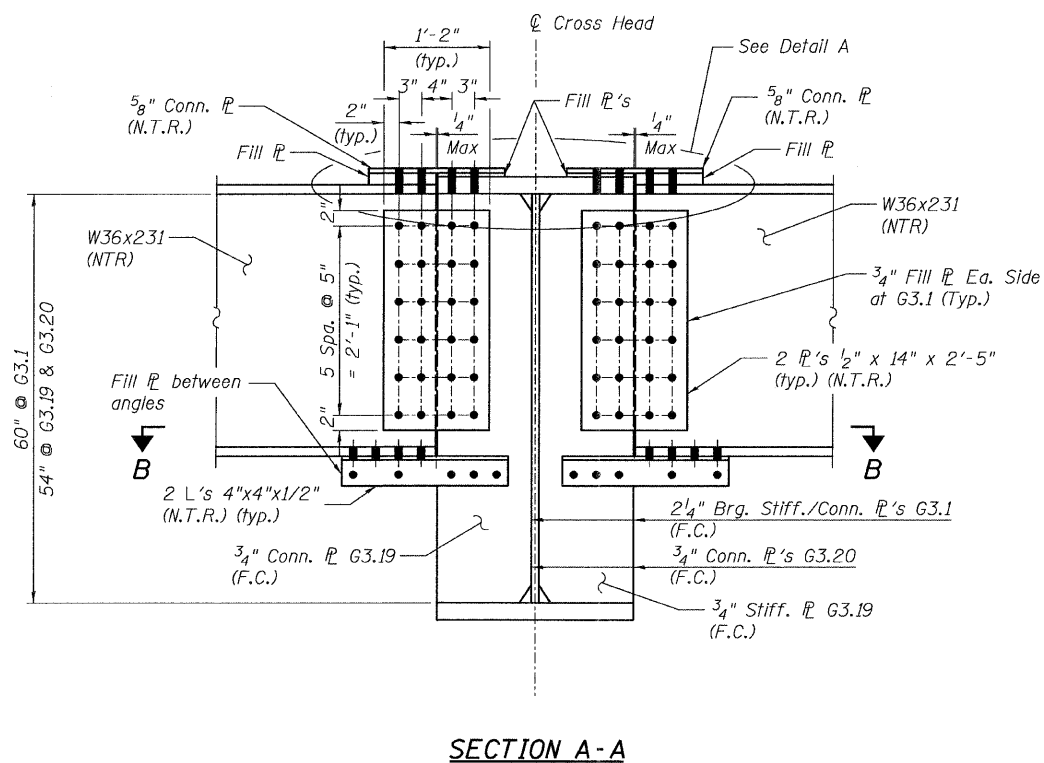
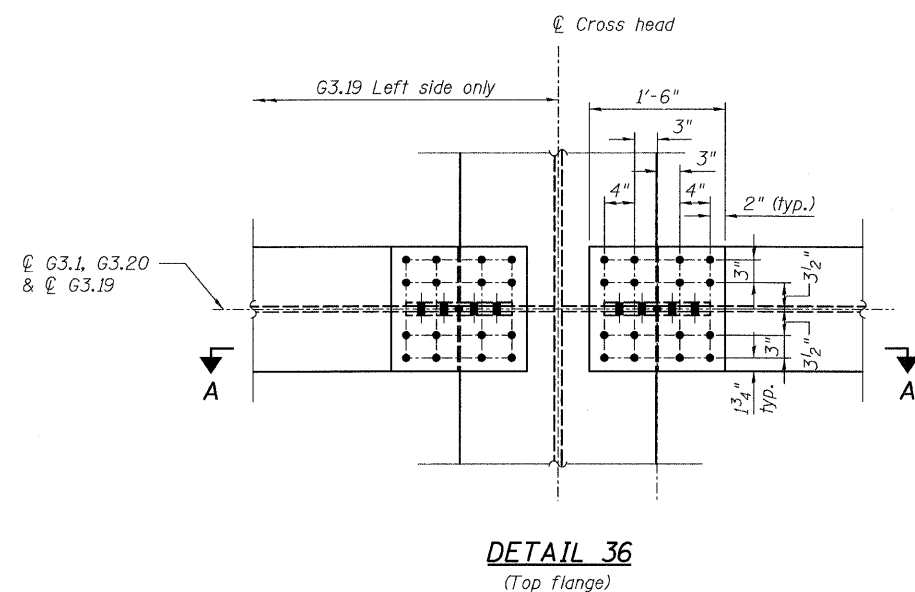


STATE OF ILLINOIS
DEPARTMENT OF TRANSPORTATION



NOTES:

1. All steel shall be AASHTO M 270 Grade 50.
2. Load carrying components designated "N.T.R." shall conform to the Supplemental Requirements for Notch Toughness, Zone 2.
3. F.C. indicates Fracture Critical Material, AASHTO Zone 2.

CONNECTION DETAILS 34
RAMP 3 FLARE
STRUCTURE NO. 016-0724

TYLIN INTERNATIONAL	DESIGNED - JPN	REVISIONS		SHEET NO. 110 137 SHEETS	F.A.I RTE. 55	SECTION 0711.2R & 1011.1BR	COUNTY COOK	TOTAL SHEETS 200	SHEET NO. 140	
	CHECKED - AMD,	NAME	DATE							CONTRACT NO. 60L39
	DRAWN - JMA									
	CHECKED - AMD,									
DATE - 08/02/10				FED. ROAD DIST. NO. 1 ILLINOIS FED. AID PROJECT						