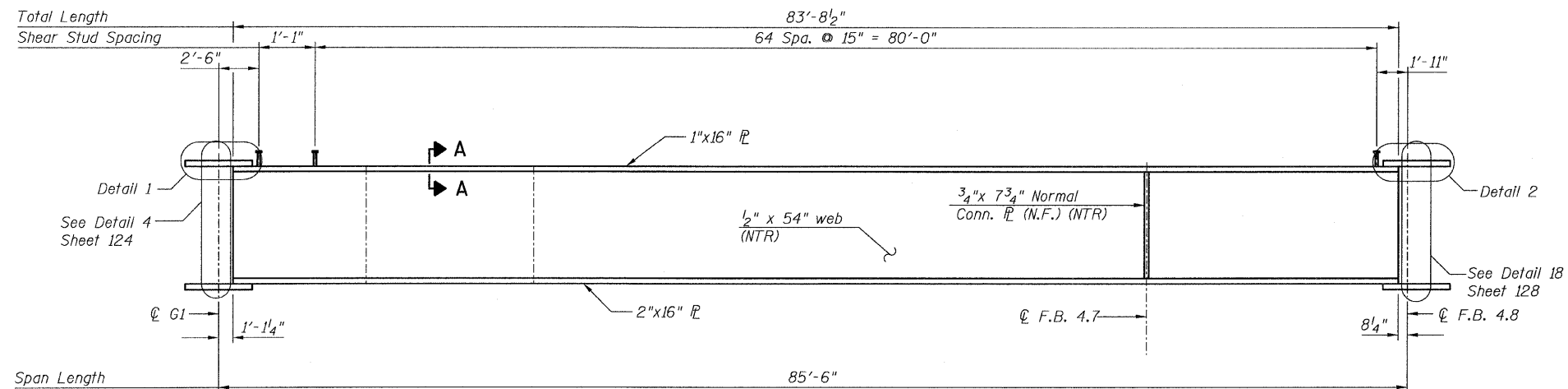
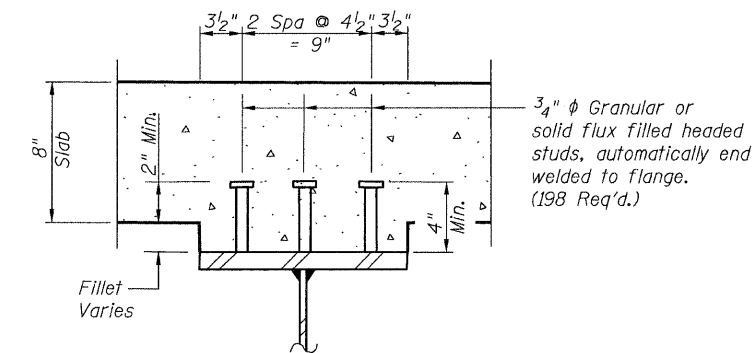


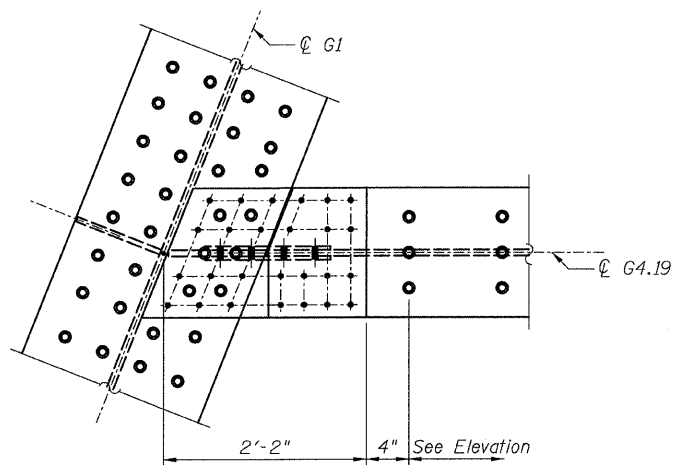
STATE OF ILLINOIS
DEPARTMENT OF TRANSPORTATION



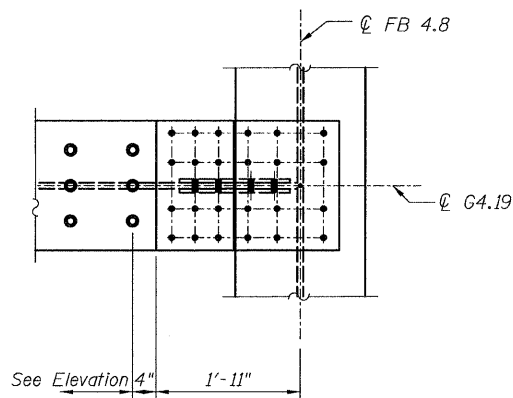
GIRDER ELEVATION - G4.19
(Looking South)



SECTION A-A
Not in contract



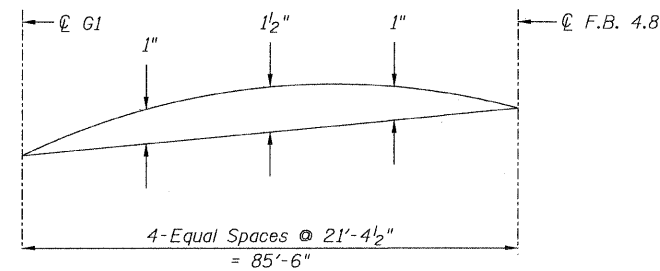
DETAIL 1



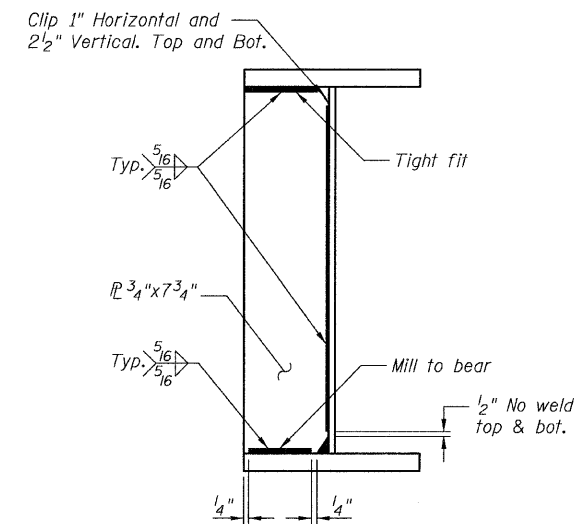
DETAIL 2

TOP OF WEB ELEVATIONS
(For Fabrication Only)

Location	Elevation
Centerline G1	626.35
Centerline F.B. 4.8	



CAMBER DIAGRAMS



TYPICAL CONN. F DETAIL
(Floor beams)

NOTES:

- All steel shown on this sheet shall conform to the requirements of AASHTO M270 GR 50.
- Load carrying components designated "NTR" shall conform to the supplemental requirements for Notch Toughness, Zone 2.
- N.F. denotes Near Face.

GIRDER ELEVATIONS 6
RAMP 4 FLARE
STRUCTURE NO. 016-0724

TYLIN INTERNATIONAL	DESIGNED - EKH, JMA, PK	REVISIONS		SHEET NO. 120	F.A.I. RTE. 55	SECTION 0711.2R & 1011.1BR	COUNTY COOK	TOTAL SHEETS 200	SHEET NO. 150
	CHECKED - AMD,	NAME	DATE						
	DRAWN - EKH, JMA, PK								
	CHECKED - AMD,								
	DATE - 08/02/10								
				137 SHEETS	CONTRACT NO. 60L39				
				FED. ROAD DIST. NO. 1 ILLINOIS FED. AID PROJECT					