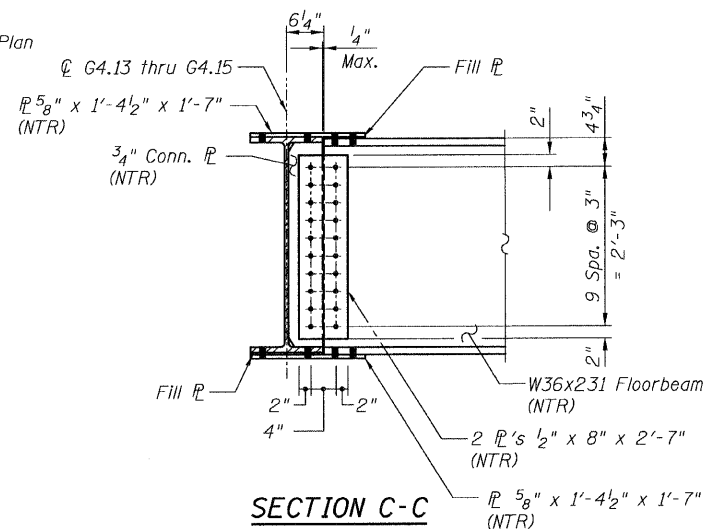
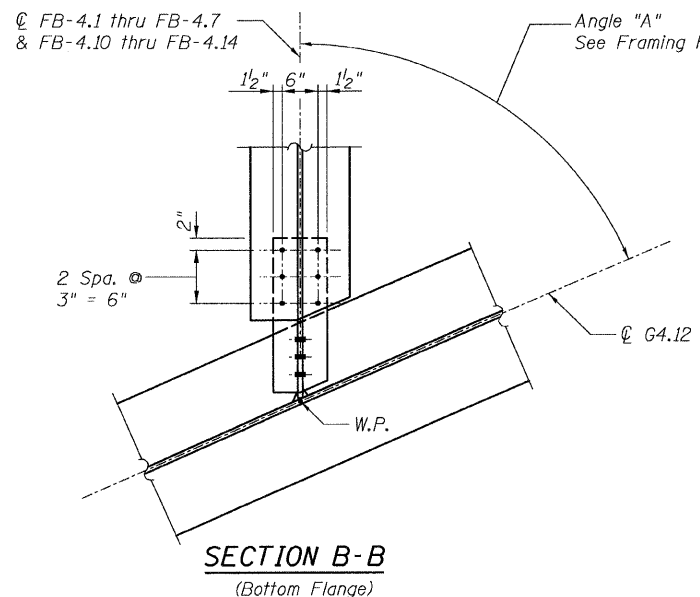
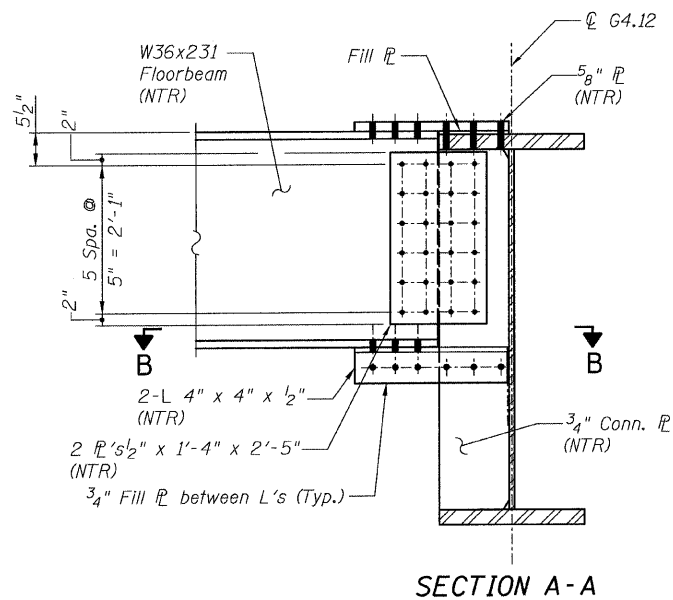
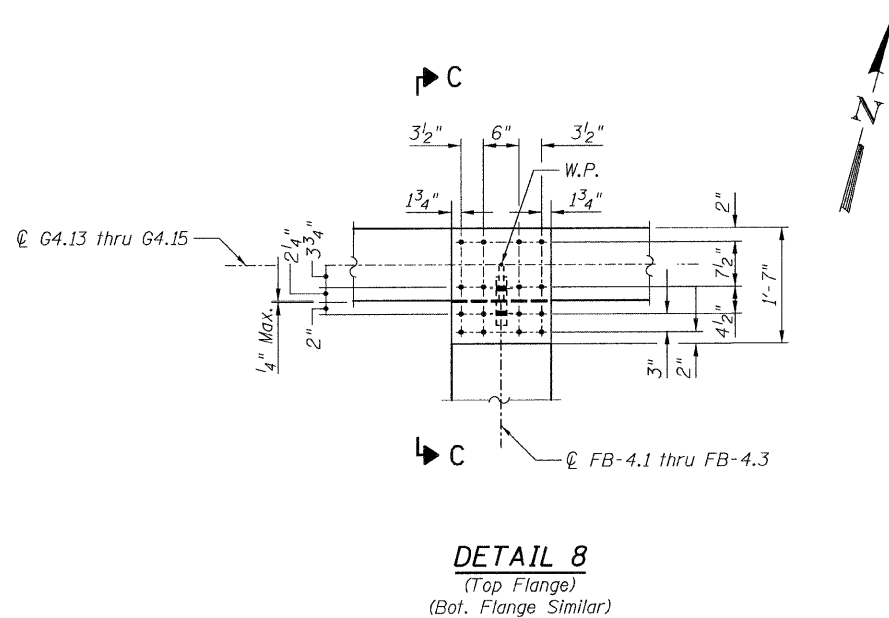
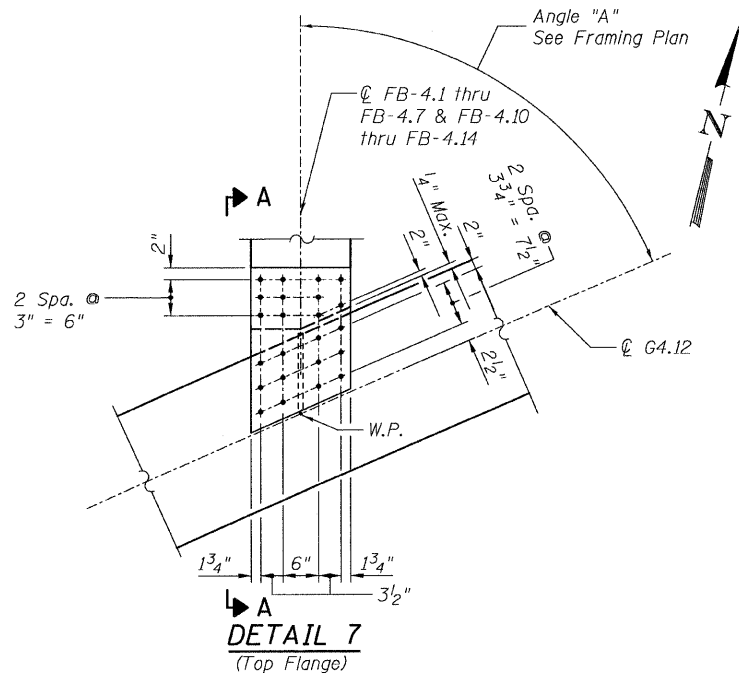


STATE OF ILLINOIS
DEPARTMENT OF TRANSPORTATION



- NOTES:**
- All steel shall be AASHTO M270 Grade 50.
 - For Details 7 and 8 locations, see Sheet 44.
 - Load carrying components designated "NTR" shall conform to the Supplemental Requirements for Notch Toughness, Zone 2.
 - CJP Weld - denotes Complete Joint Penetration Weld.

CONNECTION DETAILS 7&8
RAMP 4 FLARE
STRUCTURE NO. 016-0724

TYLIN INTERNATIONAL	DESIGNED - EKH, JMA	REVISIONS	
	CHECKED - AMD,	NAME	DATE
	DRAWN - EKH, JMA		
	CHECKED - AMD,		
	DATE - 08/02/10		

SHEET NO. 126 137 SHEETS	F.A.I. RTE.	SECTION	COUNTY	TOTAL SHEETS	SHEET NO.
	55	0711.2R & 1011.1BR	COOK	200	156
CONTRACT NO. 60L39					
FED. ROAD DIST. NO. 1 ILLINOIS FED. AID PROJECT					