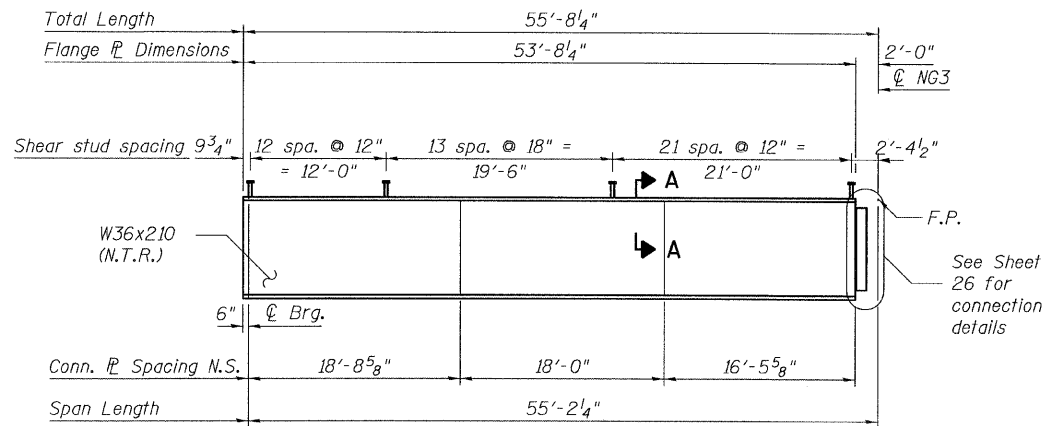
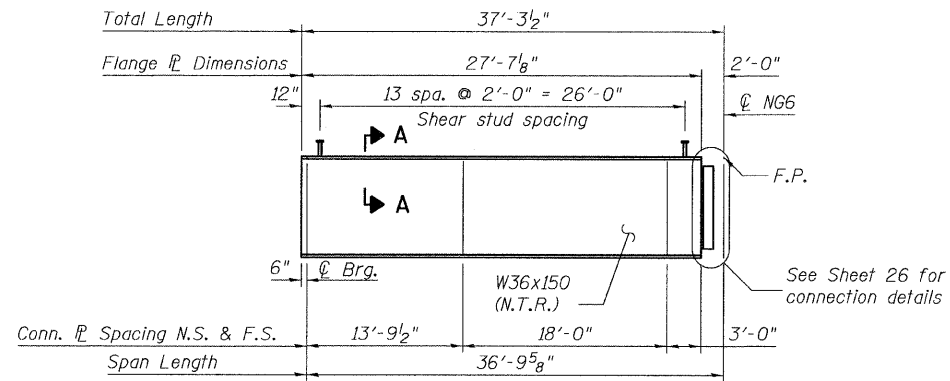


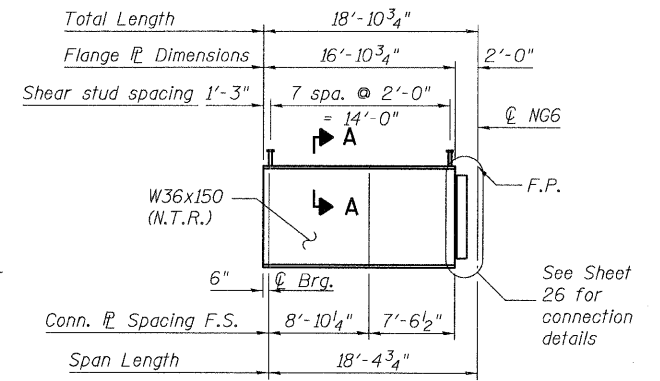
STATE OF ILLINOIS
DEPARTMENT OF TRANSPORTATION



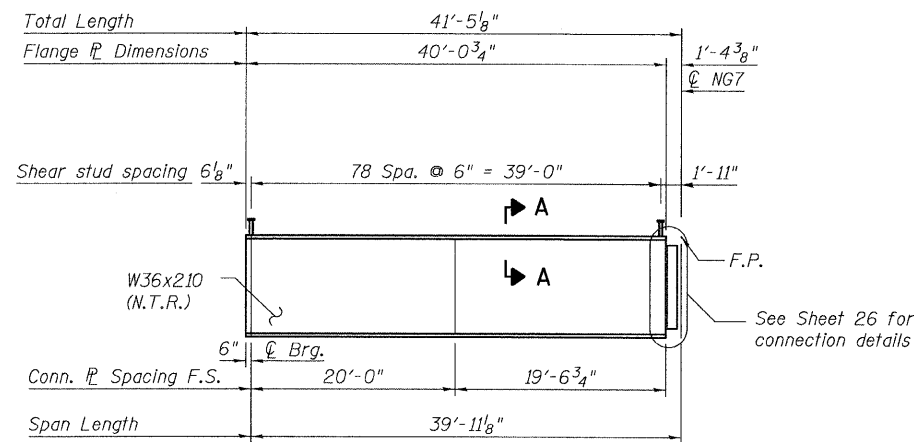
GIRDER ELEVATION - NG6
(Looking West)



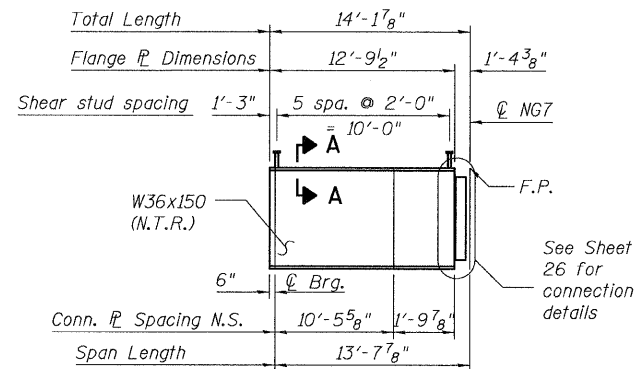
GIRDER ELEVATION - NG5
(Looking West)



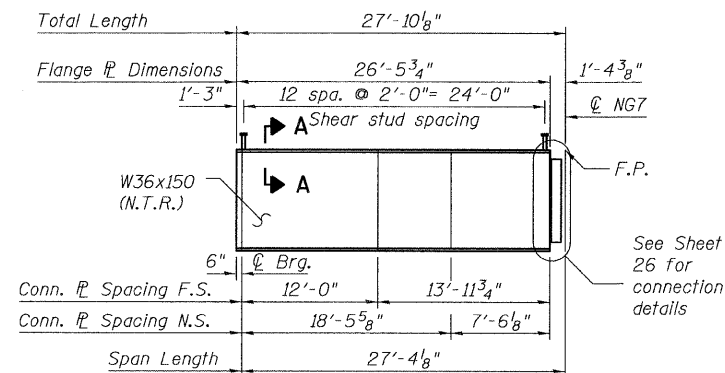
GIRDER ELEVATION - NG4
(Looking West)



GIRDER ELEVATION - NG10
(Looking West)



GIRDER ELEVATION - NG8
(Looking West)



GIRDER ELEVATION - G9
(Looking West)

NOTES:

- All structural steel on this sheet shall conform to the requirements of AASHTO M270 Grade 50.
- Load carrying components designated "N.T.R." shall conform to the Supplemental Requirements for Notch Toughness, Zone 2.
- For Connections details, see Sheet 26.
- For Section A-A, see Sheet 23.
- F.S. - denotes Far Side.
- N.S. - denotes Near Side
- F.P. - denotes Framing Point.

**GIRDER ELEVATIONS
SPANS 11, 12 & 13
STRUCTURE NO. 016-3240**

TYLIN INTERNATIONAL

DESIGNED - DY, LS	REVISIONS	
CHECKED - AMD, LS	NAME	DATE
DRAWN - DY, LS		
CHECKED - AMD, LS		
DATE - 08/02/10		

SHEET NO. 21 33 SHEETS	F.A.I. RTE. 55	SECTION 0711.2R & 1011.1BR	COUNTY COOK	TOTAL SHEETS 200	SHEET NO. 188
	CONTRACT NO. 60L39			FED. ROAD DIST. NO. 1 ILLINOIS FED. AID PROJECT	