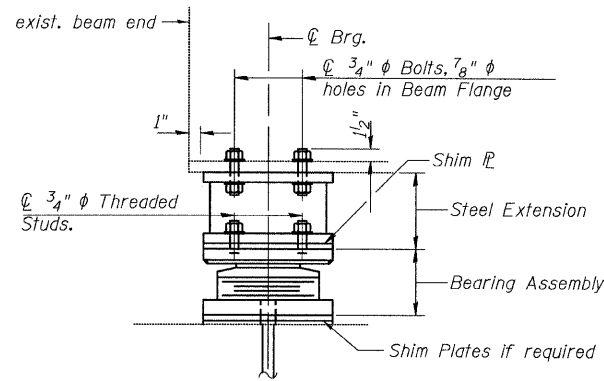
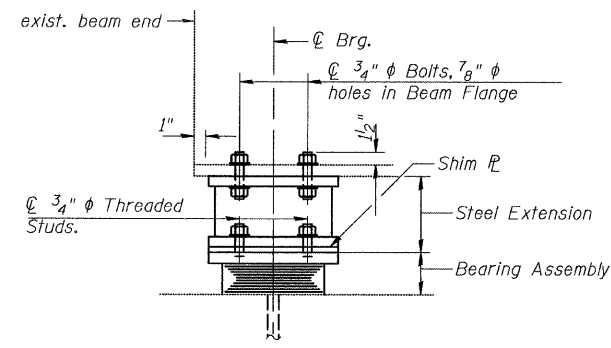


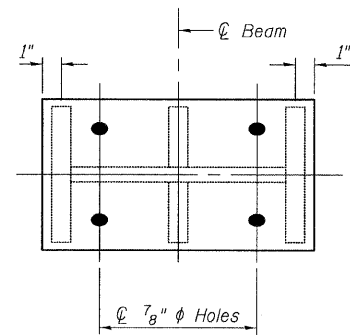
STATE OF ILLINOIS
DEPARTMENT OF TRANSPORTATION



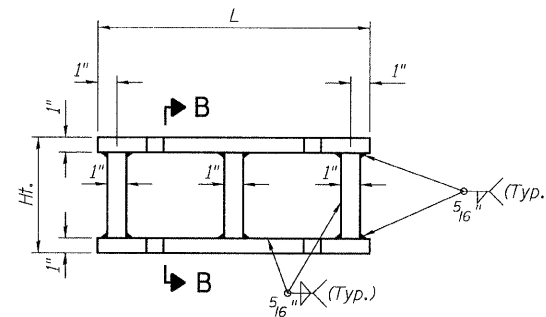
ELEVATION
TYPE II ELASTOMERIC EXP. BRG.



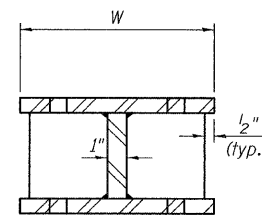
ELEVATION
TYPE I ELASTOMERIC EXP. BRG.



PLAN STEEL EXTENSION



ELEVATION STEEL EXTENSION
FABRICATED STEEL EXTENSION



SECTION B-B

Location	Girder No.	Brg. Type	Vertical Extension	Fabricated Steel Ext.				
				Top & Bot. W	Top & Bot. L	Top & Bot. Th	Top & Bot. Ht.	Shim P
Pier 8	R	I	8 3/8"	15"	20"	1"	8"	1/2"
	Q	I	8 3/8"	15"	20"	1"	8"	1/2"
	P	I	8 3/8"	15"	20"	1"	8"	1/2"
	N	I	8 3/8"	15"	20"	1"	8"	1/2"
	M	I	8 3/8"	15"	20"	1"	8"	1/2"
	L	I	8 3/8"	15"	20"	1"	8"	1/2"
	K	I	8 3/8"	15"	20"	1"	8"	1/2"
	J	I	8 3/8"	15"	20"	1"	8"	1/2"
	H	I	8 3/8"	15"	20"	1"	8"	1/2"
	G	I	8 3/8"	15"	20"	1"	8"	1/2"
	F	I	8 3/8"	15"	20"	1"	8"	1/2"
	E	I	8 3/8"	15"	20"	1"	8"	1/2"
	D	I	8 3/8"	15"	20"	1"	8"	1/2"
C	I	8 3/8"	15"	20"	1"	8"	1/2"	
B	I	8 3/8"	15"	20"	1"	8"	1/2"	
A	I	8 3/8"	15"	20"	1"	8"	1/2"	

Location	Girder No.	Brg. Type	Vertical Extension	Fabricated Steel Ext.				
				Top & Bot. W	Top & Bot. L	Top & Bot. Th	Top & Bot. Ht.	Shim P
Pier 10	P	II	0"	0"	0"	0"	0"	0"
	N	II	11 1/4"	15"	22"	1"	10"	1/2"
	M	II	11 1/4"	15"	22"	1"	10"	1/2"
	L	II	11 1/4"	15"	22"	1"	10"	1/2"
	K	II	11 1/4"	15"	22"	1"	10"	1/2"
	J	II	11 1/4"	15"	22"	1"	10"	1/2"
	H	II	11 1/4"	15"	22"	1"	10"	1/2"
	G	II	11 1/4"	15"	22"	1"	10"	1/2"
	F	II	11 1/4"	15"	22"	1"	10"	1/2"
	E	II	11 1/4"	15"	22"	1"	10"	1/2"
	D	II	11 1/4"	15"	22"	1"	10"	1/2"
	C	II	11 1/4"	15"	22"	1"	10"	1/2"
	B	II	11 1/4"	15"	22"	1"	10"	1/2"
A	II	11 1/4"	15"	22"	1"	10"	1/2"	

NOTES

Prior to ordering any materials, the contractor shall verify in the field all bearing height and shim thickness dimensions.
The structural steel plates of the Bearing Assembly shall conform to the requirements of AASHTO M 270 Grade 36.

BEARING DETAILS
STRUCTURE NO. 016-3240

TYLIN INTERNATIONAL	DESIGNED - DY, LS	REVISIONS		SHEET NO. 33	F.A.I RTE.	SECTION 0711.2R & 1011.1BR	COUNTY COOK	TOTAL SHEETS 200	SHEET NO. 200	
	CHECKED - AMD, LS	NAME	DATE		33 SHEETS					CONTRACT NO. 60L39
	DRAWN - DY, LS				FED. ROAD DIST. NO. 1 ILLINOIS FED. AID PROJECT					
	CHECKED - AMD, LS									
DATE - 08/02/10										

p:\01345\beam and bearing fabrication\155c3bearings.dgn 8/27/2010 1:59:40 PM