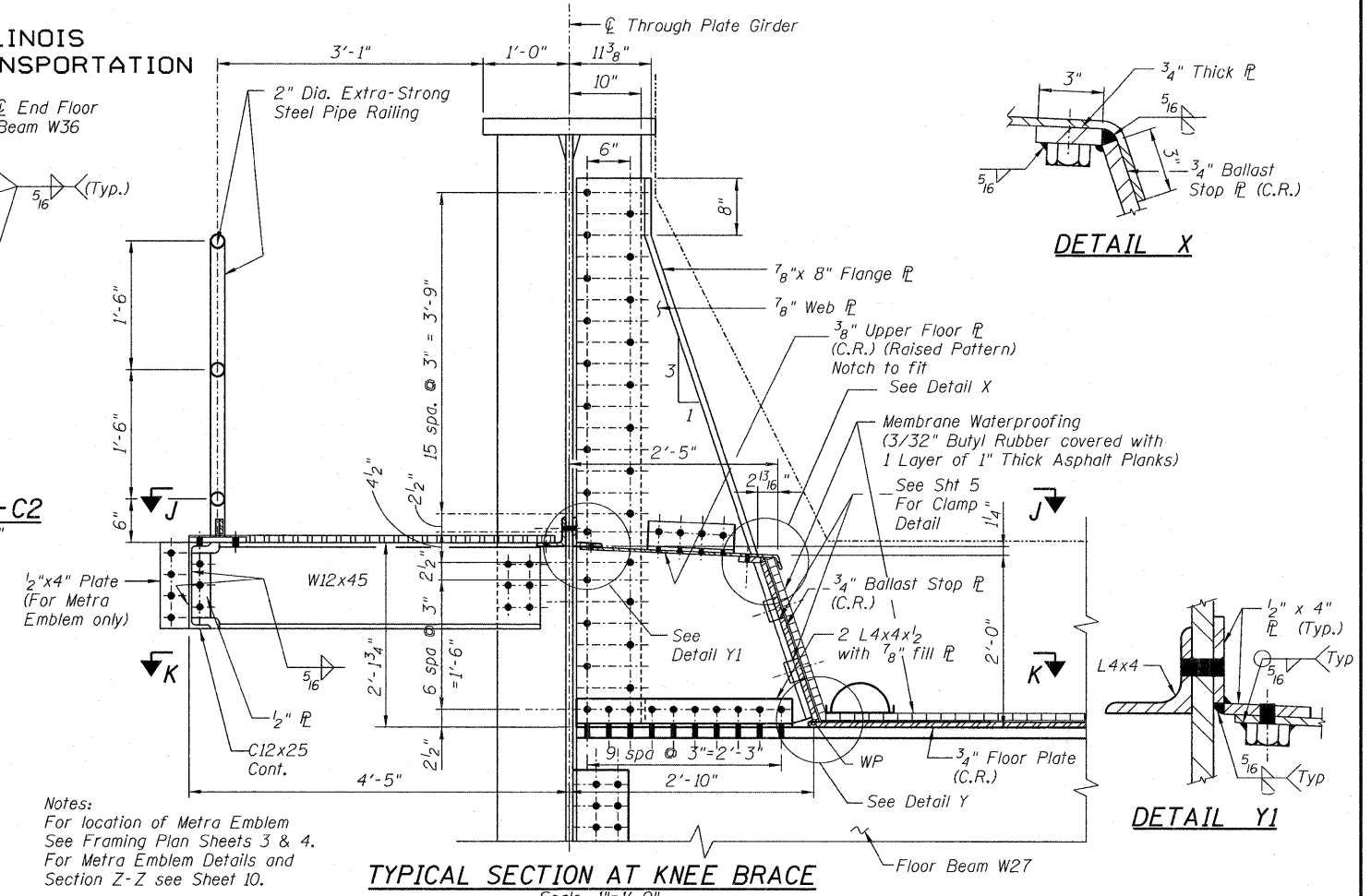
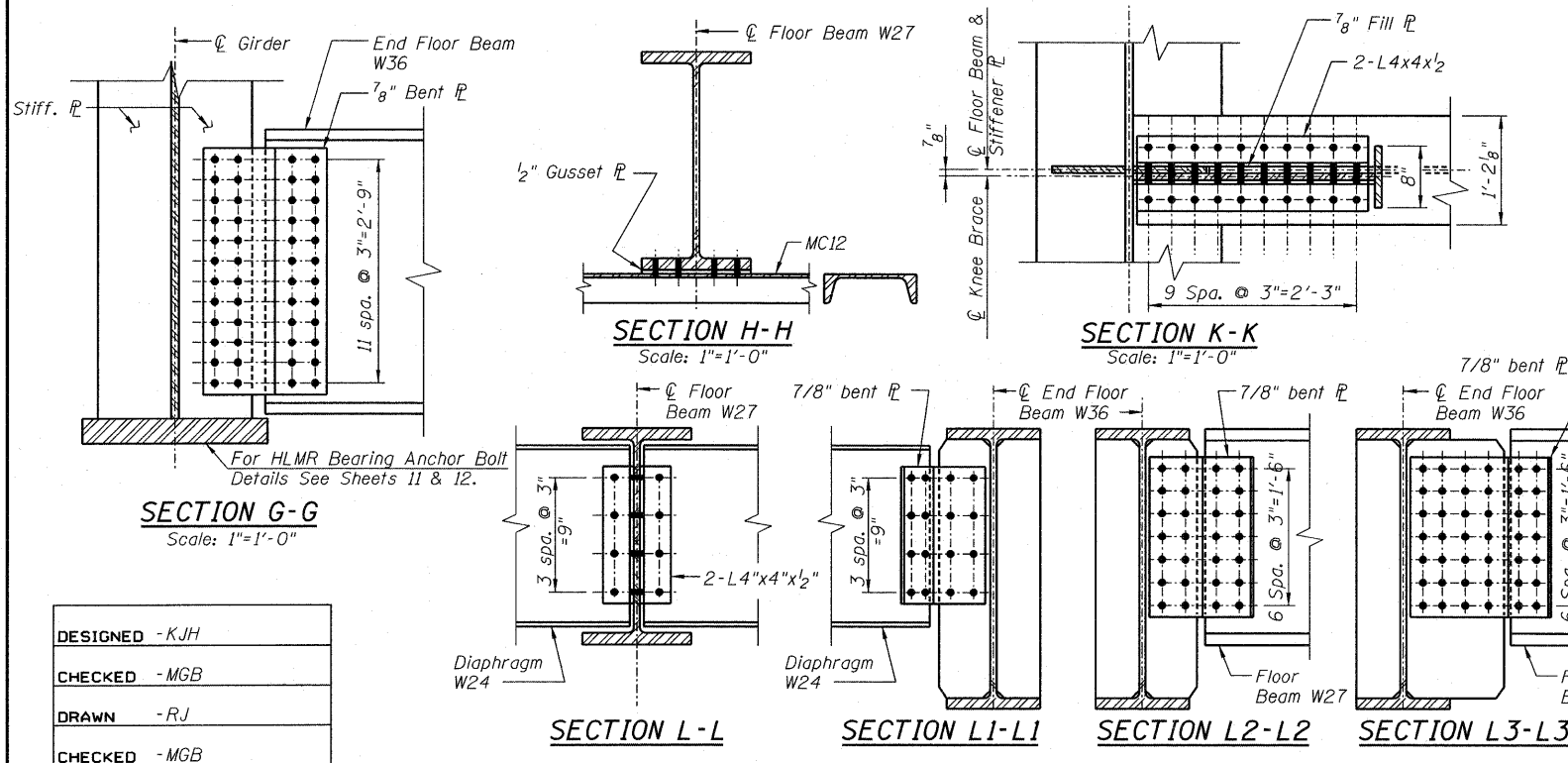
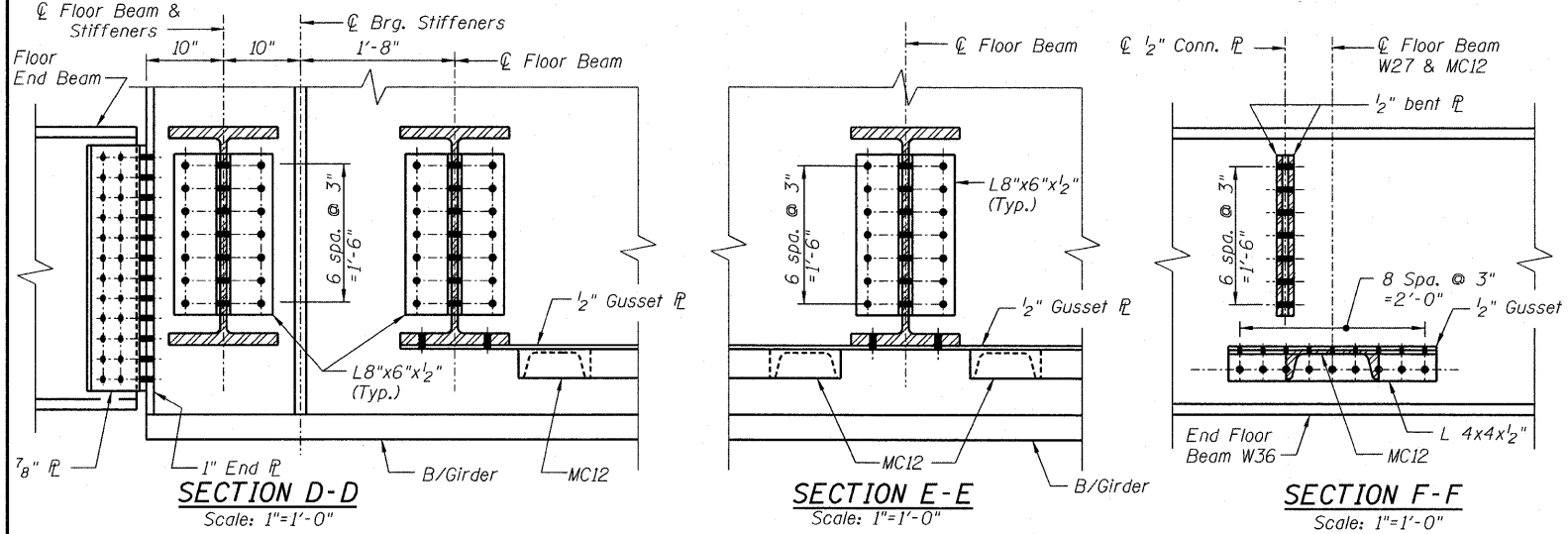
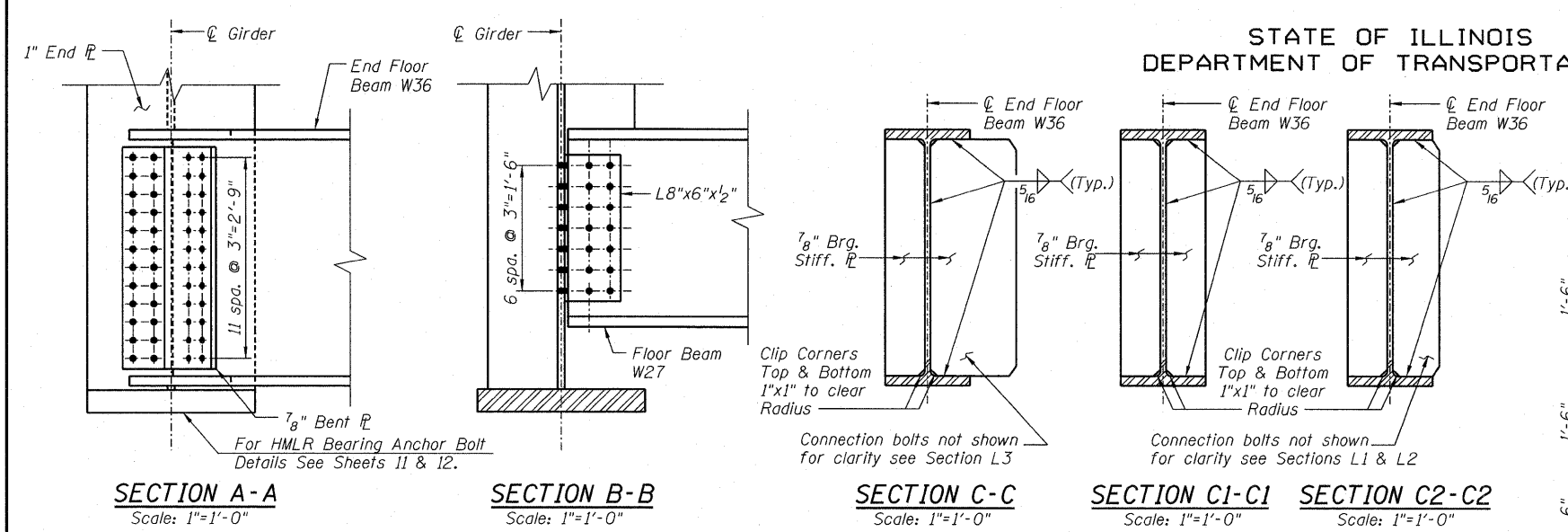
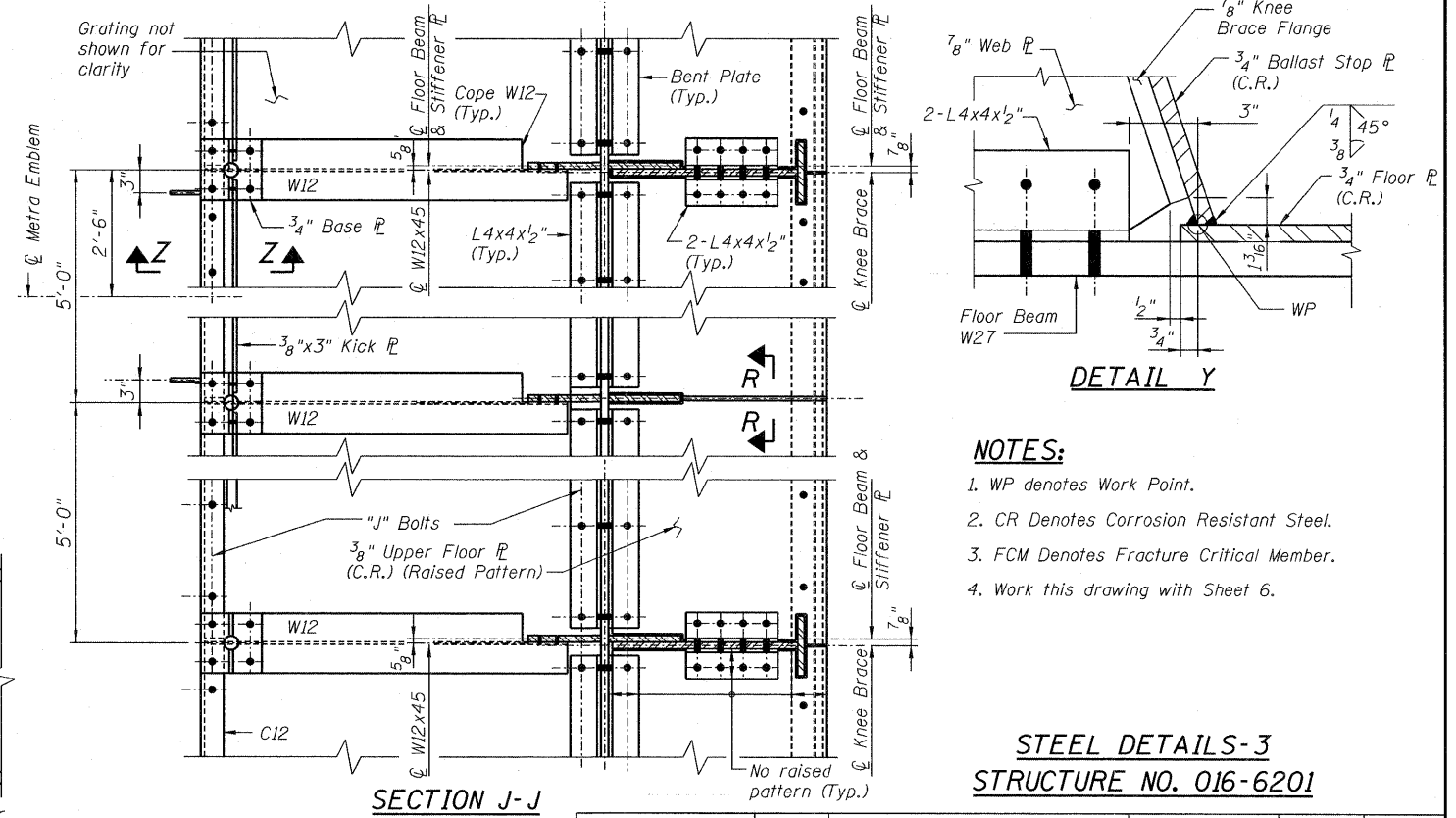


STATE OF ILLINOIS
DEPARTMENT OF TRANSPORTATION



Notes:
For location of Metra Emblem
See Framing Plan Sheets 3 & 4.
For Metra Emblem Details and
Section Z-Z see Sheet 10.



- NOTES:**
1. WP denotes Work Point.
 2. CR Denotes Corrosion Resistant Steel.
 3. FCM Denotes Fracture Critical Member.
 4. Work this drawing with Sheet 6.

DESIGNED	-KJH
CHECKED	-MGB
DRAWN	-RJ
CHECKED	-MGB

SHEET NO. 7 13 SHEETS	F.A.P. RTE.	SECTION	COUNTY	TOTAL SHEETS	SHEET NO.
	330	2010-074-F	COOK	15	9
DATE: 08/12/10			ILLINOIS FED. AID PROJECT		
CONTRACT NO. 60L60					

McDonough Associates Inc.
Engineers / Architects
130 East Randolph Street Chicago, Illinois 60601

STEEL DETAILS-3
STRUCTURE NO. 016-6201