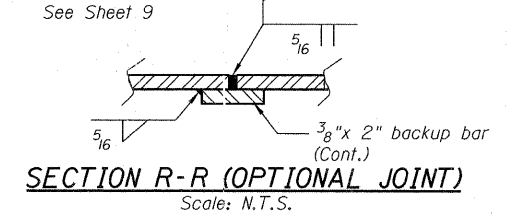
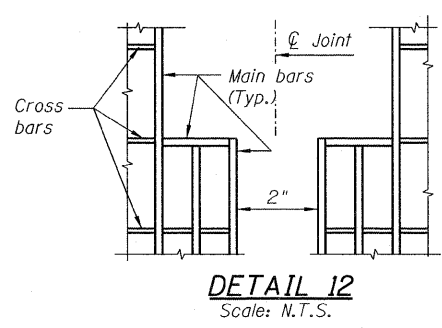
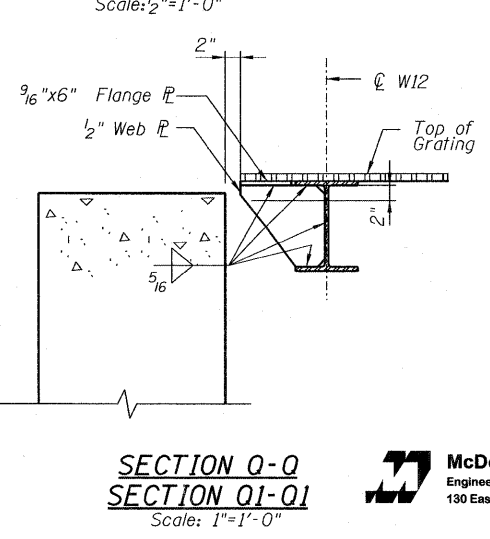
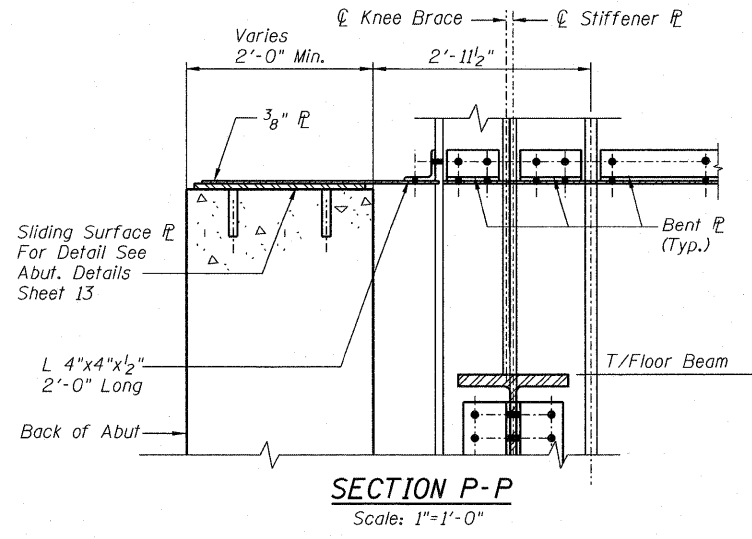
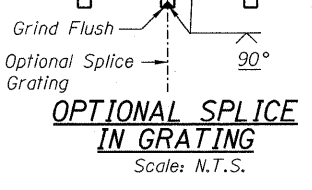
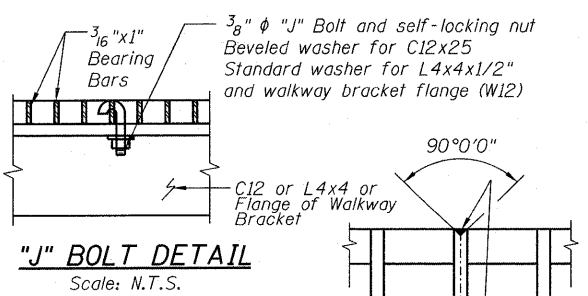
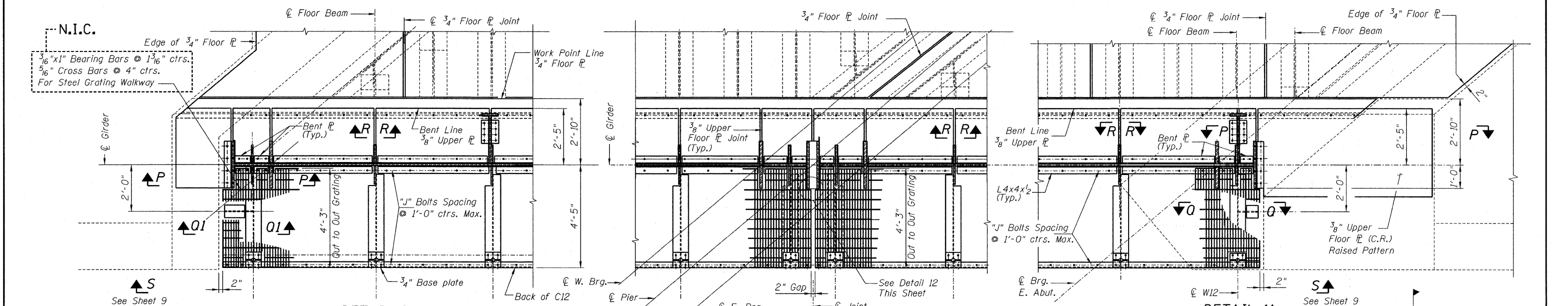
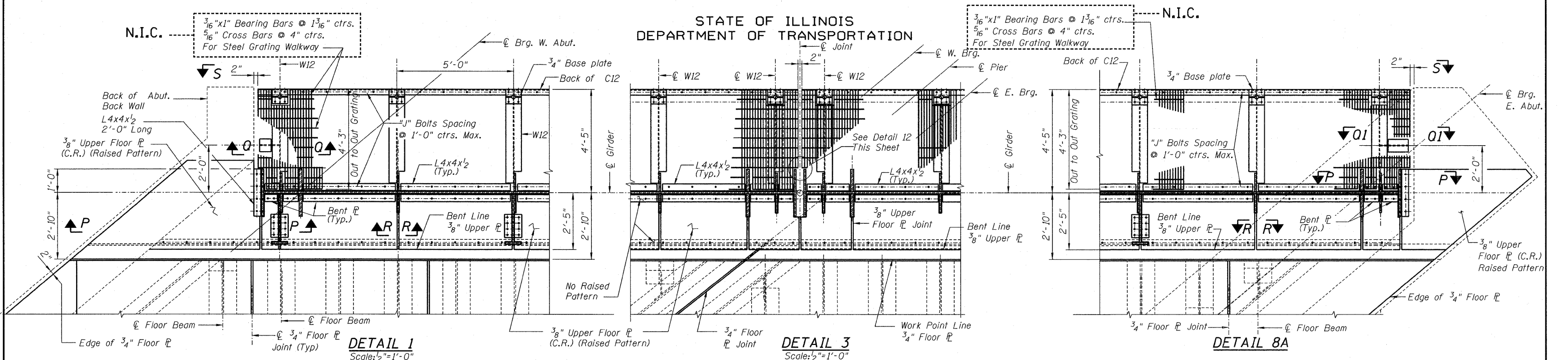


STATE OF ILLINOIS
DEPARTMENT OF TRANSPORTATION



NOTES:
Grating shall be bolted to longitudinal channel and along girder and walkway bracket by means of 3/8" φ "J" bolts or other type of bolts Approved by the Engineer. Each panel shall have one bolt in each corner with a maximum longitudinal spacing of 1'-0" ctrs. between bolts. Drill 7/16" diameter holes for "J" bolts in field.

Work this Sheet with Sheet 3 and 4.

DESIGNED	-KJH
CHECKED	-MGB
DRAWN	-RJ
CHECKED	-MGB

STEEL DETAILS-4
STRUCTURE NO. 016-6201

SHEET NO. 8 13 SHEETS	F.A.P R.T.E.	SECTION	COUNTY	TOTAL SHEETS	SHEET NO.
	330	2010-074-F	COOK	15	10
DATE: 08/12/10			ILLINOIS FED. AID PROJECT		
CONTRACT NO. 60L60					

McDonough Associates Inc.
Engineers / Architects
130 East Randolph Street Chicago, Illinois 60601