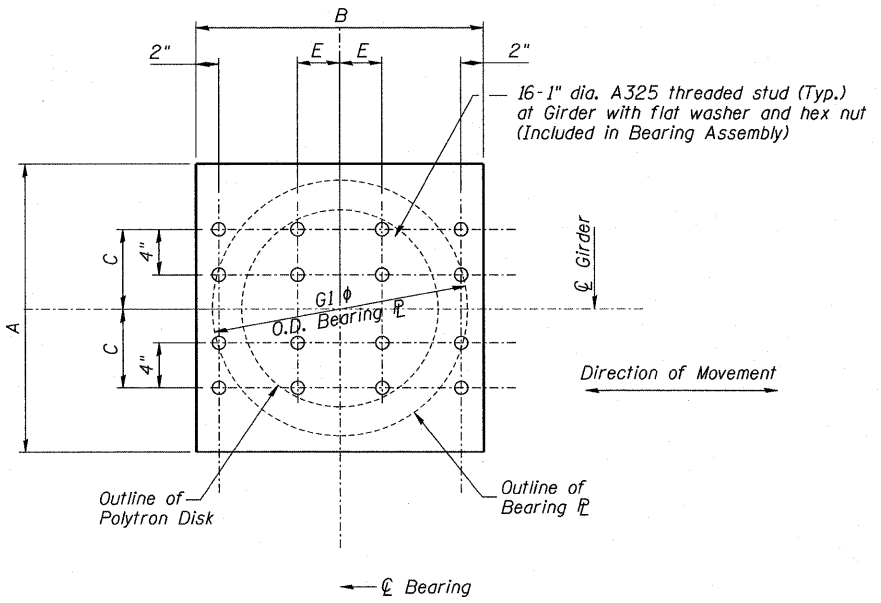
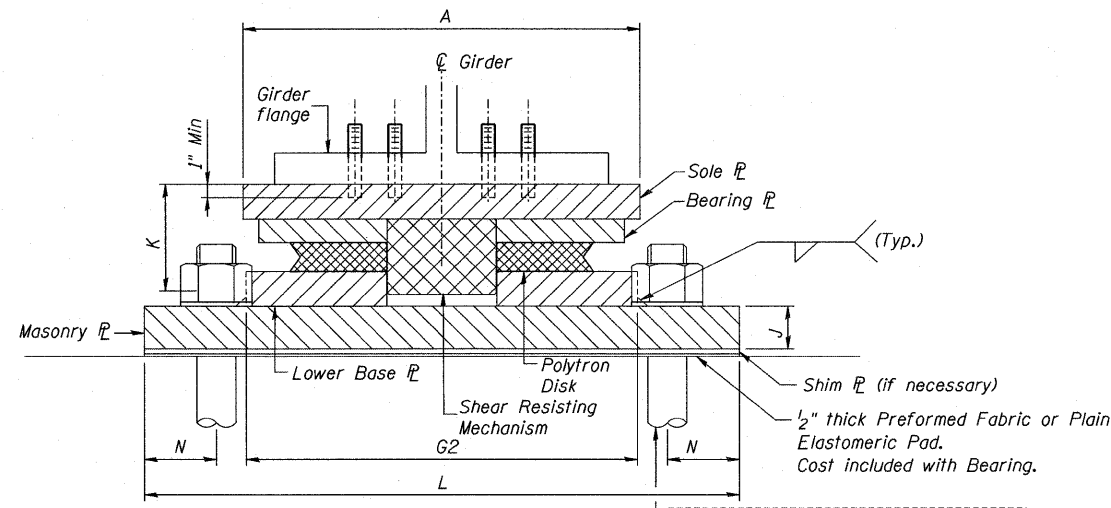


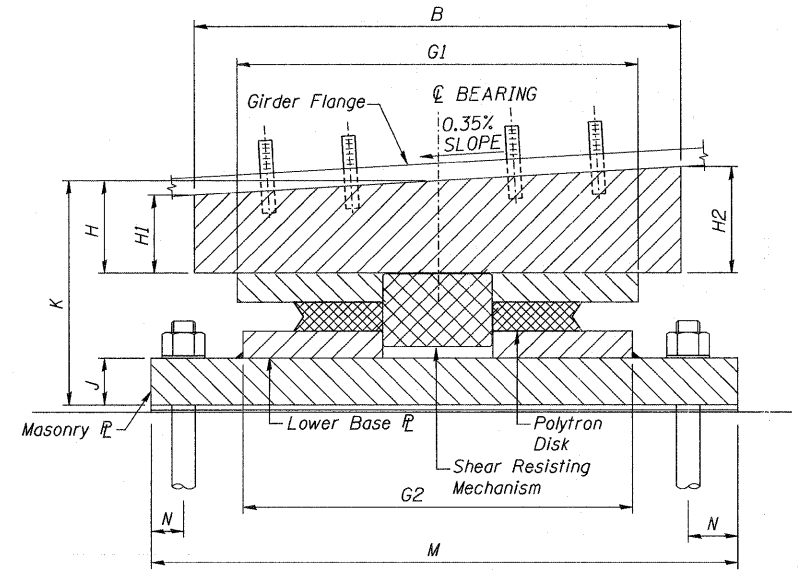
STATE OF ILLINOIS
DEPARTMENT OF TRANSPORTATION



SOLE PLATE PLAN



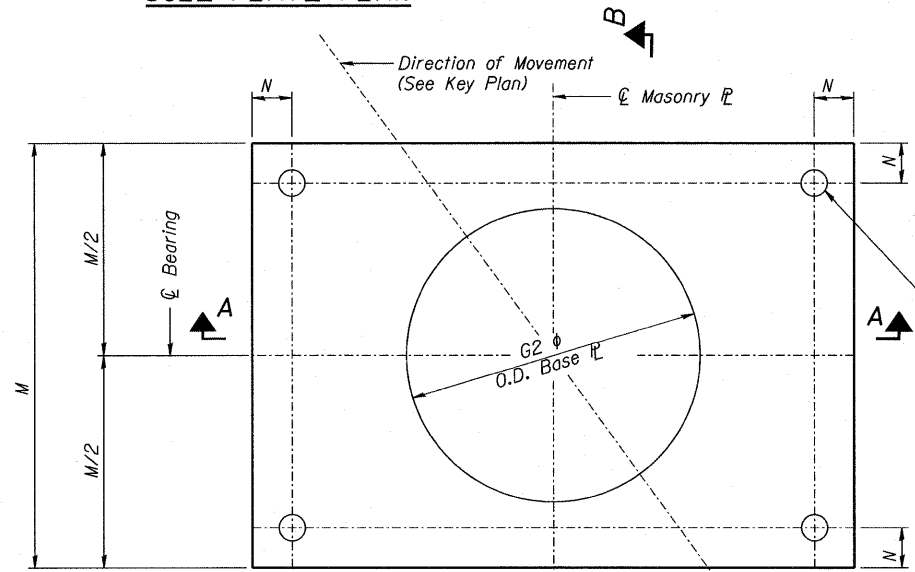
SECTION A-A



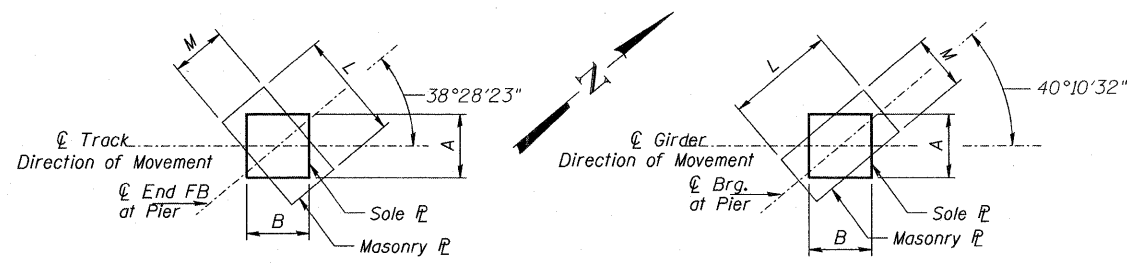
SECTION B-B

Anchor Bolt ϕ "Dia" with plate washer under nut. For Dia. & Length see Table (4 req'd. Typ.).

N.I.C.



MASONRY PLATE
FIXED (F) AT PIER
PLAN



BEARING LAYOUT AT END FLOOR BEAM LOCATION BEARING LAYOUT AT GIRDER LOCATION

SOLE PLATE AND MASONRY PLATE KEY PLAN

NOTES:

1. See Sheet No. -- for Anchor Bolt installation.
2. Anchor Bolts, Nuts and Washers shall be stainless steel.
3. All Structural Steel for Bearings shall be ASTM A572 Grade 42.
4. Bearings shall conform to the Multi-Rotational Disc Bearing sections of the 2010 AREMA Code.
5. Anchor bolts shall be cast with pier.

N.I.C.

FIXED BEARING DATA

BEARING LOCATION	VERT. LOAD (K)	HORZ. LOAD (K)	ROTATION (rad)	A	B	C	E	G1	G2	H	H1	H2	J	K	L	M	N	ANCHOR BOLT ϕ "DIA." x Length	PLATE WASHER
Pier - Girders	1265	300	0.015	2'-1 1/2"	2'-1 1/2"	7"	3 3/4"	1'-11 1/2"	2'-1 1/2"	2 3/16"	2 1/8"	2 1/4"	2 3/4"	10 9/16"	3'-2 1/4"	2'-6 3/4"	4 3/8"	2 1/2" x 2'-6"	4" x 4" x 5/16"

DESIGNED - KJH
CHECKED - MGB
DRAWN - RJ
CHECKED - MGB

HLMR FIXED BEARING
STRUCTURE NO. 016-6201

McDonough Associates Inc.
Engineers / Architects
130 East Randolph Street Chicago, Illinois 60601

SHEET NO. 12 13 SHEETS	F.A.P RTE.	SECTION	COUNTY	TOTAL SHEETS	SHEET NO.
	330	2010-074-F	COOK	15	14
DATE: 08/12/10			ILLINOIS FED. AID PROJECT		
CONTRACT NO. 60L60					