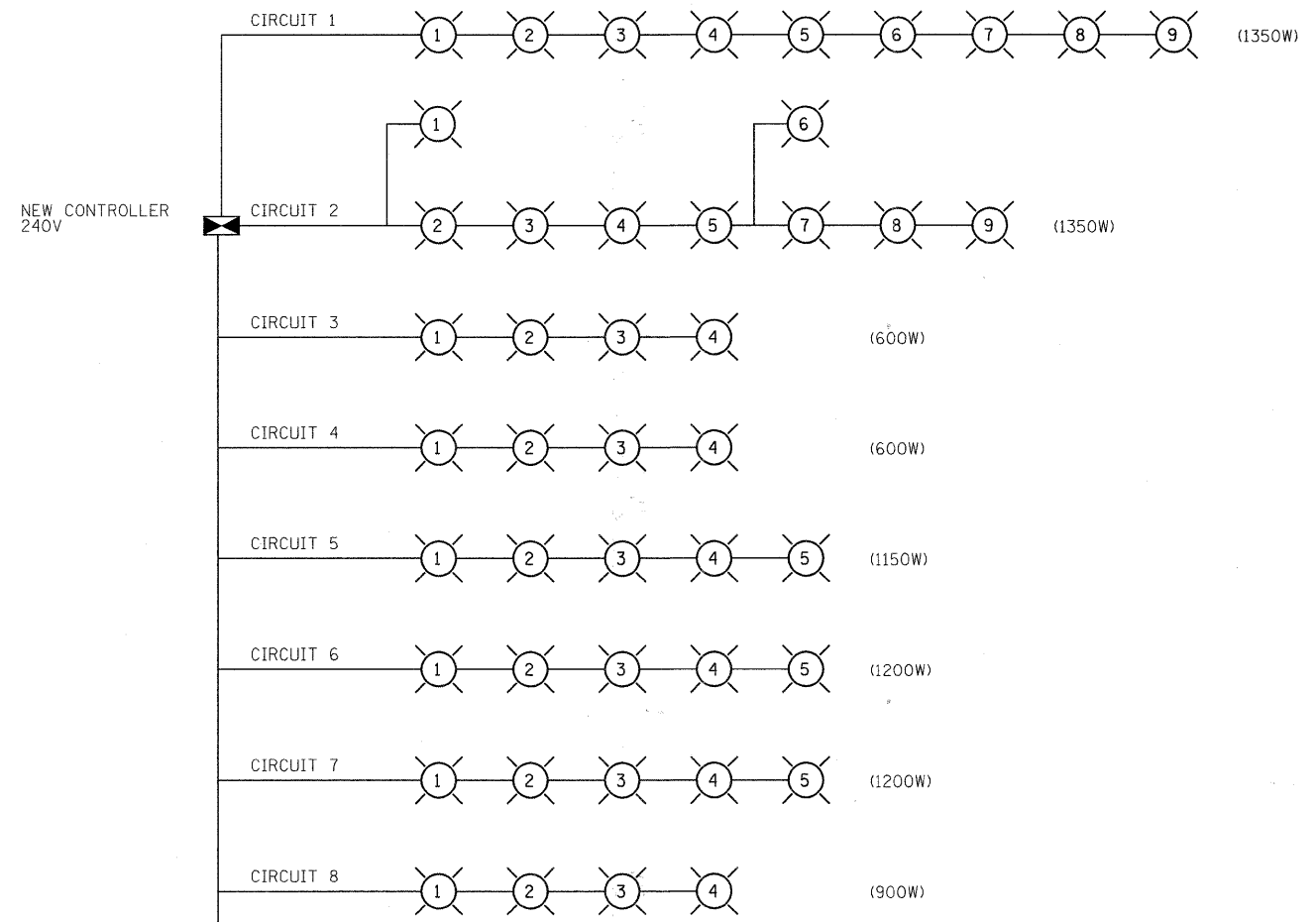


NEW CONTROLLER
TOTAL LOAD = 8350 W



**NEW CONTROLLER
CONTACTOR AND BREAKER SCHEDULE**

CONSOLE		NO. OF BRANCH BREAKERS		MAIN BREAKER 2 POLE, 240 VOLT		CONTACTOR 2 POLE, 240 VOLT	
NO.	LOCATION		120V	240V	SIZE		SIZE
	SHEET	STATION	15A/1P	15A/2P	FRAME	TRIP	
A	4	90+16.46	2	10	100	100	100 AMP

NOTES:
1. CONTRACTOR SHALL COORDINATE CONTROLLER LABEL NAME WITH OWNER.

