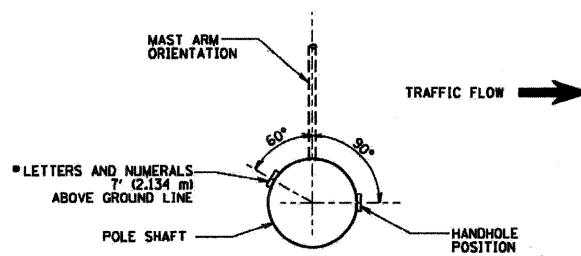
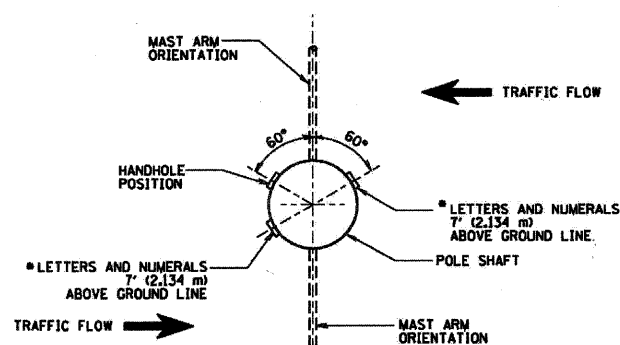


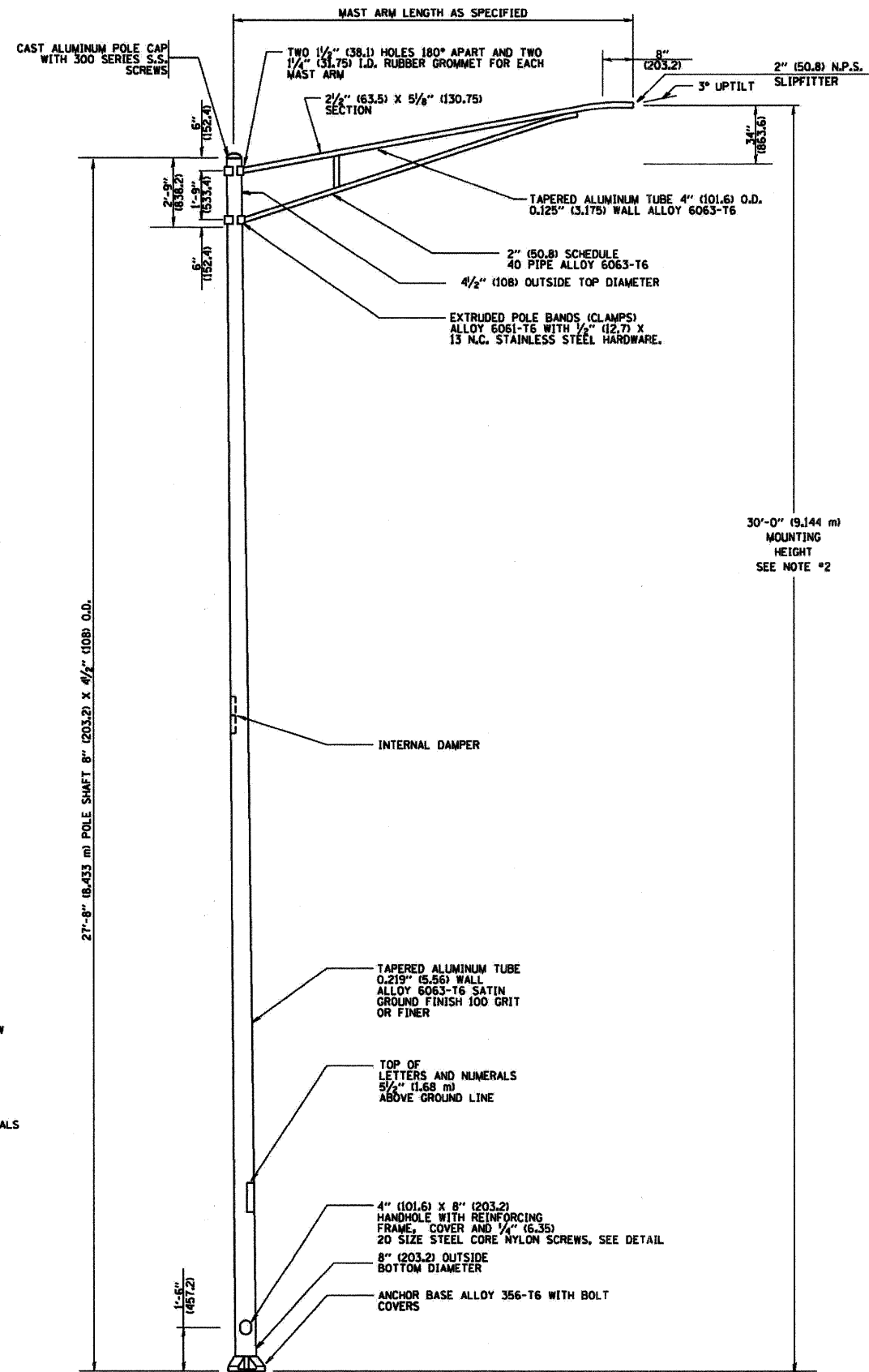
POSITION OF HANDHOLE AND POLE NUMBER FOR SINGLE MAST ARM POLES MOUNTED ON BRIDGE PARAPET OR BARRIER WALL



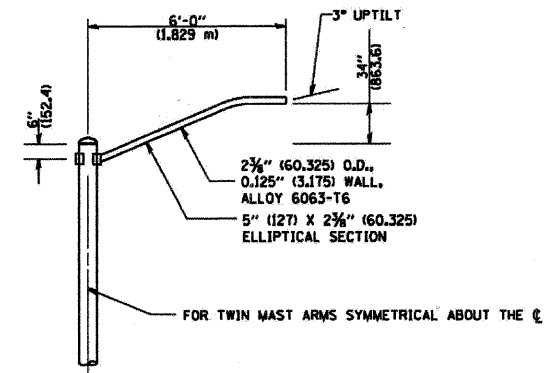
POSITION OF HANDHOLE AND POLE NUMBER FOR SINGLE MAST ARM POLES



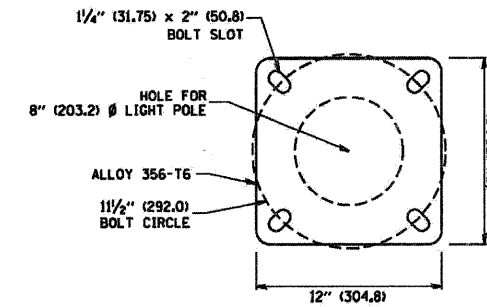
POSITION OF HANDHOLE AND POLE NUMBER FOR TWIN MAST ARM POLES



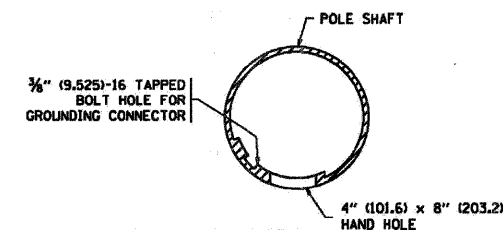
RESIDENTIAL LIGHT POLE ()
LUMINAIRE SHALL BE LITHONIA CAT. NO. CHLD 150S R3 FL 240 XHP DF OR EQUAL



6' (1.8 m) SINGLE MEMBER MAST ARM (N.T.S.)



LIGHT POLE BASE PLATE DETAIL
1 1/2" (292.0) BOLT CIRCLE



HANDHOLE DETAIL (N.T.S.)

NOTES:

1. ALL DIMENSIONS ARE IN INCHES (MILLIMETERS) UNLESS OTHERWISE SHOWN.
2. MOUNTING HEIGHTS IS DEFINED AS THE DISTANCE FROM THE CENTERLINE OF THE TENON TO THE BOTTOM OF THE ANCHOR BASE.
3. THE LIGHT POLE SHALL MEET AASHTO DESIGN CRITERIA AS SPECIFIED.
4. PROVIDE A UL LISTED GROUNDING CONNECTOR, BURNDY K2C23, T&B SP4DL OR APPROVED EQUAL.
5. LIGHT POLES WILL NOT BE INSTALLED WITHOUT MAST ARMS AND LUMINAIRES.
6. LIGHT POLES SHALL BE SET PLUMB ON THE FOUNDATION WITHOUT THE USE OF LEVELING NUTS, WASHERS OR SHIMS.
7. LIGHTING UNIT IDENTIFICATION NUMBERS SHALL BE INSTALLED BEFORE THE LIGHTING UNITS IS ENERGIZED.



FILE NAME = 077_650edt06.dgn
USER NAME = USER6
PLOT SCALE = 1:1
PLOT DATE = 6/15/2010

DESIGNED - L.B.
DRAWN - B.K.
CHECKED - S.K.
DATE - 9/23/2009

REVISED -
REVISED -
REVISED -
REVISED -

DESIGNED - L.B.
DRAWN - B.K.
CHECKED - S.K.
DATE - 9/23/2009

VILLAGE OF VILLA PARK, ILLINOIS

LIGHTING DETAIL
SCALE: 1"=20'
SHEET NO. 12 OF 12 SHEETS
STA. 63+19.78 TO STA. 116+71.35

F.A. U. RTE. 2652	SECTION 00-00070-00-PV	COUNTY DuPAGE	TOTAL SHEETS 160	SHEET NO. 77
FED. ROAD DIST. NO. [ILLINOIS] FED. AID PROJECT			CONTRACT NO. 63379	