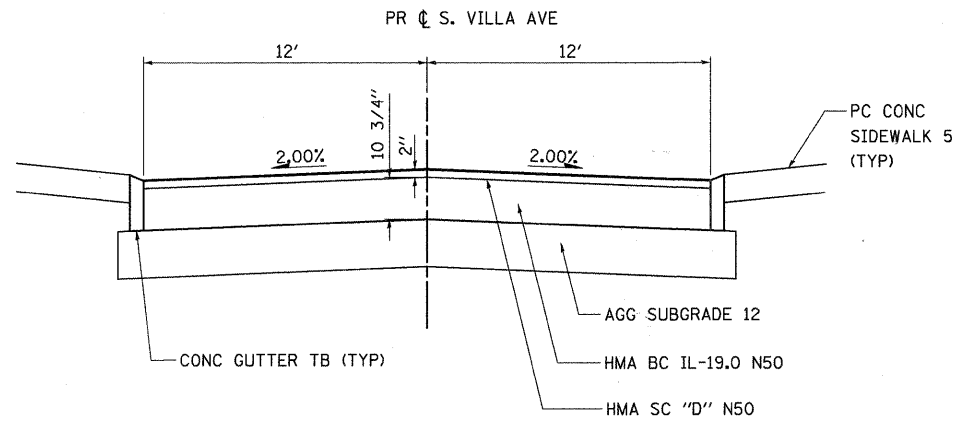
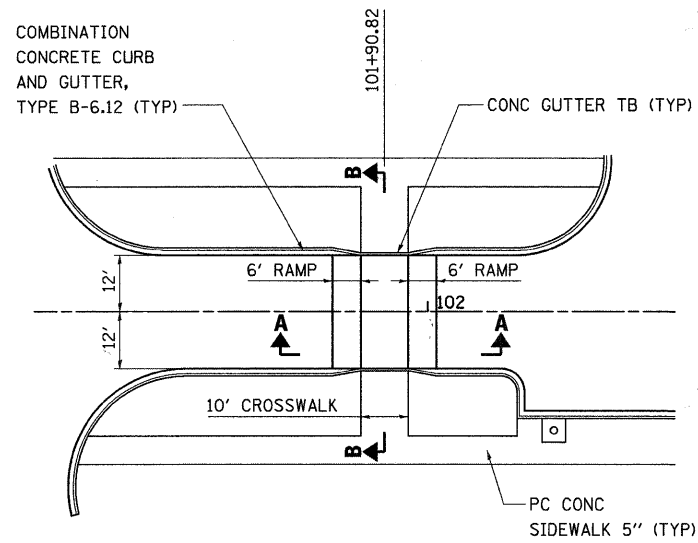


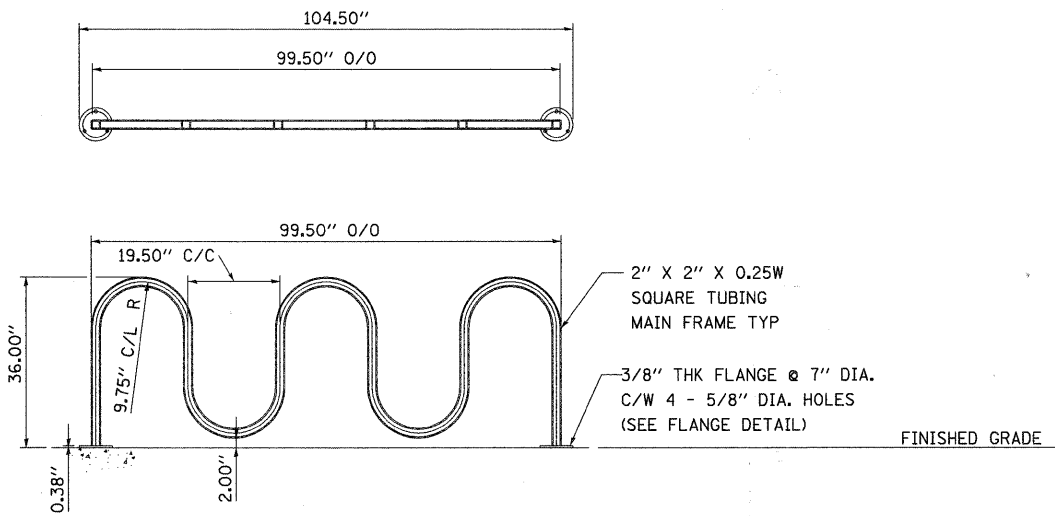
SECTION A-A
N.T.S.



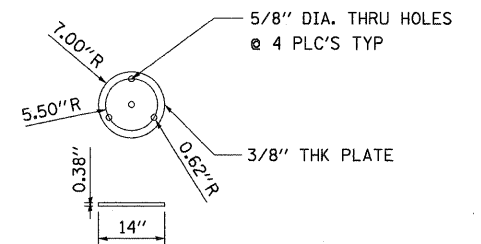
SECTION B-B
N.T.S.



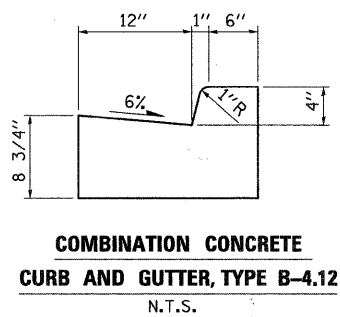
PLAN VIEW
N.T.S.



BICYCLE RACK DETAIL
N.T.S.



FLANGE DETAIL
N.T.S.



COMBINATION CONCRETE CURB AND GUTTER, TYPE B-4.12
N.T.S.



FILE NAME = 078_65@misc-detail.dgn

USER NAME = #USER#	DESIGNED - L.B.	REVISED -
PLOT SCALE = 1:20	DRAWN - B.K.	REVISED -
PLOT DATE = 6/15/2010	CHECKED -	REVISED -
	DATE - 9/23/2009	REVISED -

VILLAGE OF VILLA PARK, ILLINOIS

MISCELLANEOUS DETAILS

SCALE: NO SCALE SHEET NO. 1 OF 2 SHEETS STA. 63+19.78 TO STA. 116+71.35

F.A. U. RTE.	SECTION	COUNTY	TOTAL SHEETS	SHEET NO.
2652	00-00070-00-PV	DuPAGE	160	78
CONTRACT NO. 63379				
FED. ROAD DIST. NO. [ILLINOIS] FED. AID PROJECT				