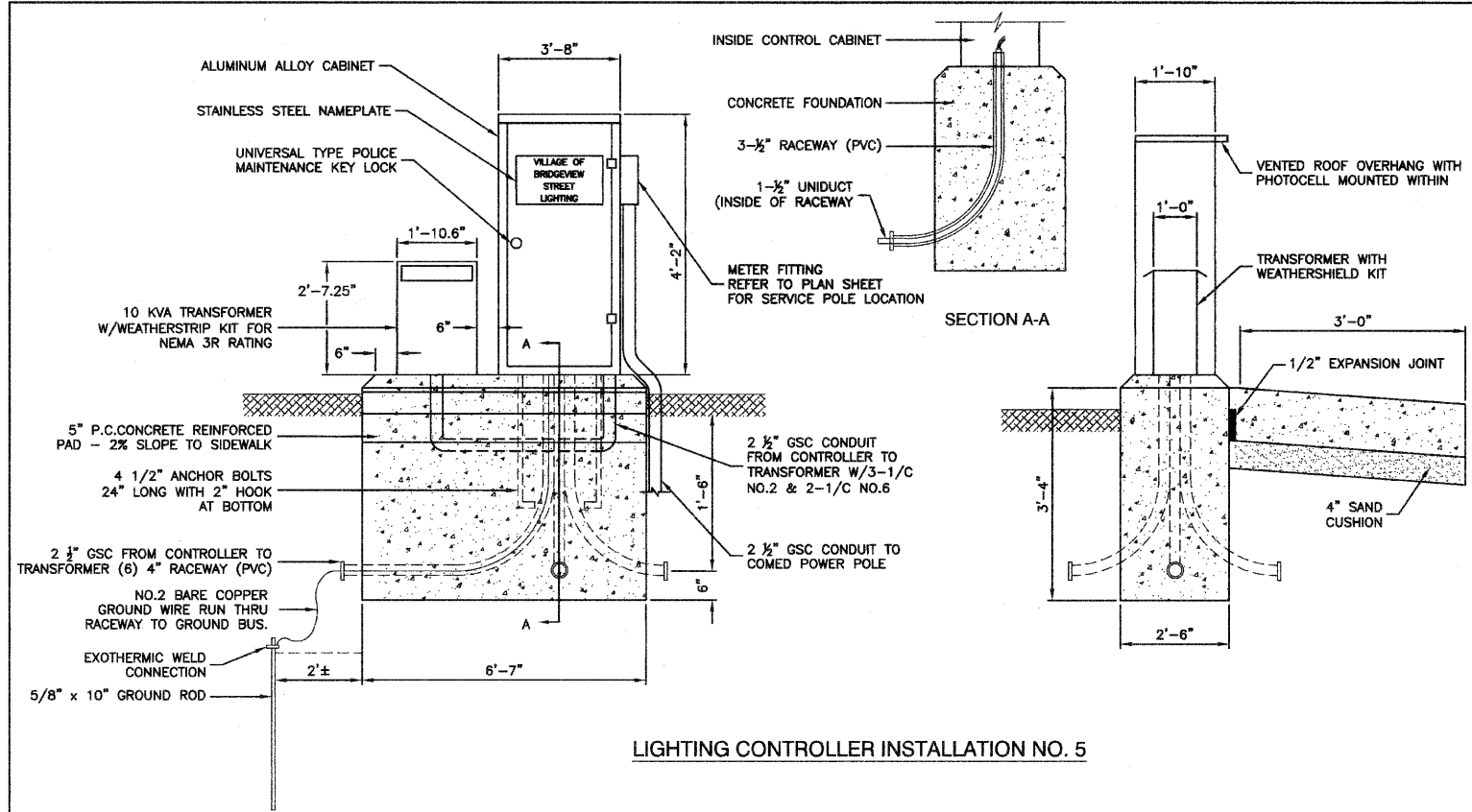
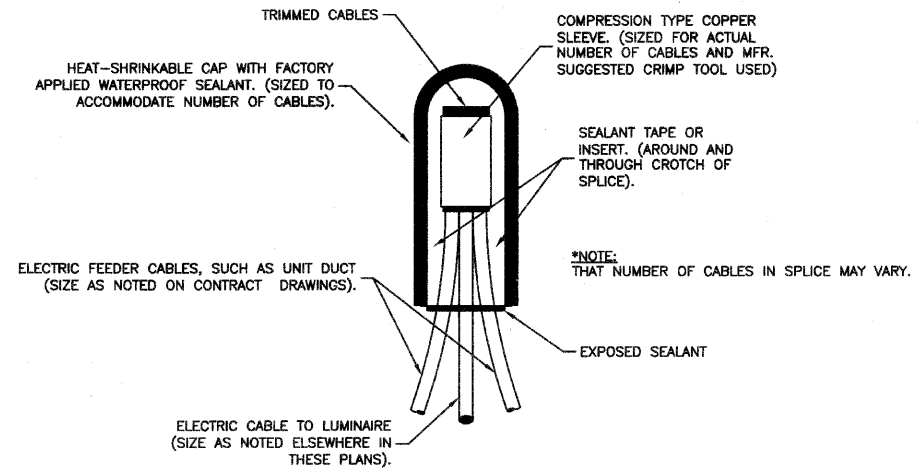


PLAN	SUBMITTED	DATE
	ALLOWED	
	CHECKED	
	BY	
	DATE	
	NO. OF WKS. CHECKED	
	DATE FILE NAME	

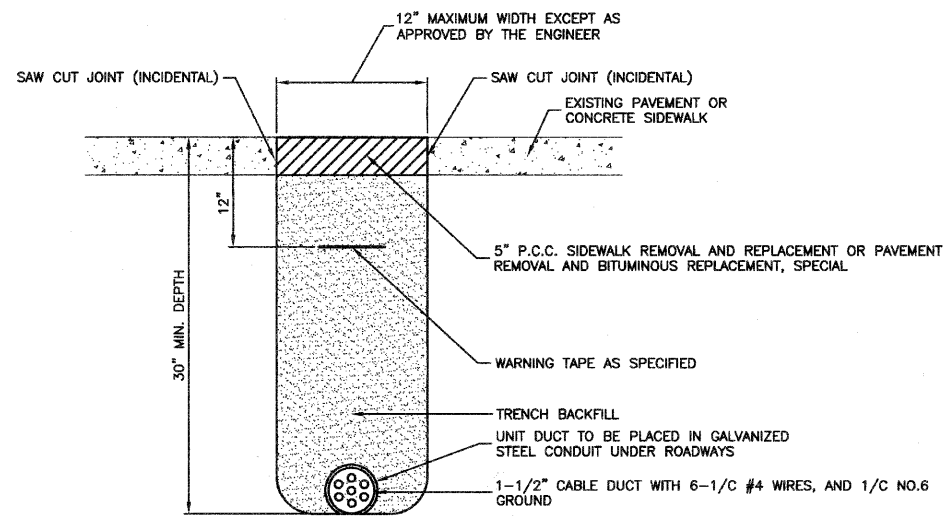
PROFILE	SUBMITTED	DATE
	ALLOWED	
	CHECKED	
	BY	
	DATE	
	NO. OF WKS. CHECKED	
	DATE FILE NAME	



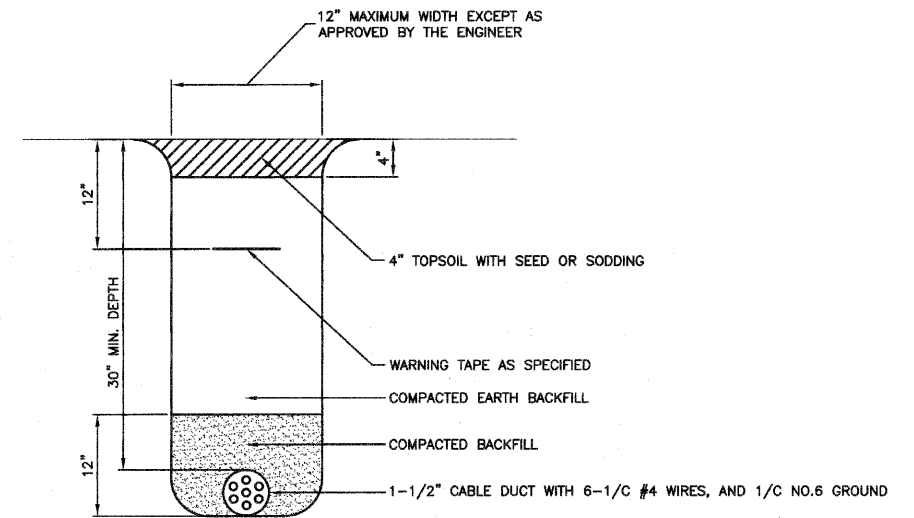
LIGHTING CONTROLLER INSTALLATION NO. 5



SPLICING ELECTRIC CABLES  
BASIC MATERIALS AND METHODS



HOT-MIX ASPHALT PAVEMENT OR CONCRETE SIDEWALK  
REMOVAL AND REPLACEMENT



TRENCH DETAIL



FILE NAME = 09301-LGHT-02 - P05

USER NAME =	DESIGNED -- PAP	REVISED -- #1 06-11-10
	CHECKED -- PKB	REVISED -- #2 06-29-10
PLOT SCALE = N/A	DRAWN -- MJD	REVISED --
PLOT DATE = 04-28-10	CHECKED -- DWS	REVISED --

STATE OF ILLINOIS  
DEPARTMENT OF TRANSPORTATION

HARLEM AVENUE  
71ST STREET TO NORTH OF 70TH STREET  
STREET LIGHTING DETAILS

SCALE: N/A SHEET NO. 12 OF 15 SHEETS STA. N/A TO STA. N/A

F.A.P. RTE.	SECTION	COUNTY	TOTAL SHEETS	SHEET NO.
348	10-00062-00-LT	COOK	15	12
CONTRACT NO. 63486				
FED. ROAD DIST. NO. 1 ILLINOIS FED. AID PROJECT ARA-M-9003(670)				