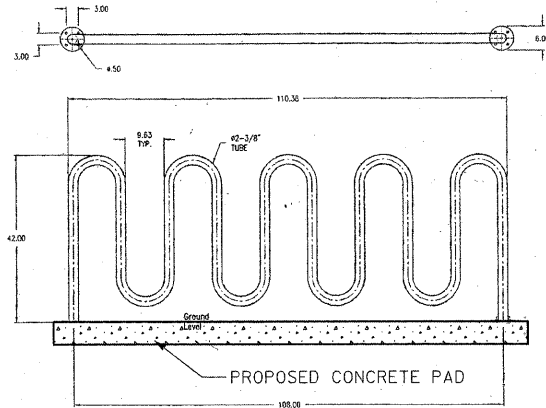
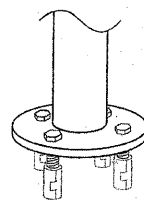


Plate Surface Mount Detail

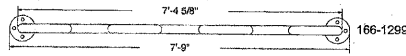


II-BIKE RACK

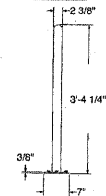
NOTE:
AS MANUFACTURED BY HIGHLAND PRODUCTS GROUP LLC
OR APPROVED EQUAL

BICYCLE RACK - BLACK HEAVY DUTY THERMOPLASTIC COATED WAVE

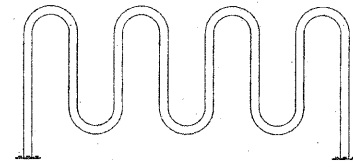
Top view



Side view

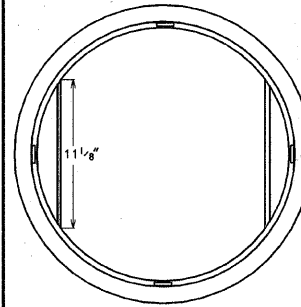


Front view

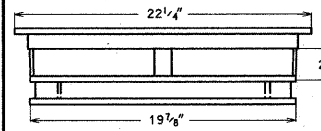
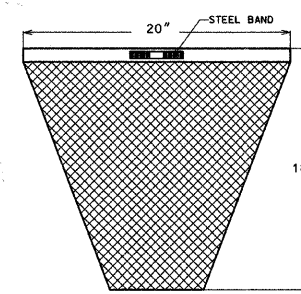


9-BIKE RACK

FRAME - PLAN VIEW



SEDIMENT BAG - SECTION



FRAME - SECTION

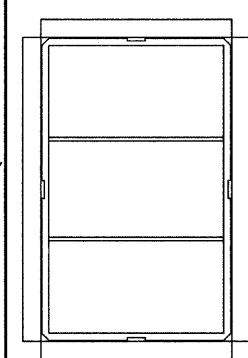
GENERAL NOTES:

FRAME: TOP FLANGE FABRICATED FROM 1 1/2"x1 1/2"x1/8" ANGLE. BASE RIM FABRICATED FROM 1 1/2"x1/2"x1/8" CHANNEL. HANDLES AND SUSPENSION BRACKETS FABRICATED FROM 1 1/2"x1/4" FLAT STOCK. ALL STEEL CONFORMING TO ASTM-A36.
SEDIMENT BAG: BAG FABRICATED FROM 4 OZ./ SQ. YD. NON-WOVEN POLYPROPYLENE GEOTEXTILE REINFORCED WITH POLYESTER MESH. BAG SECURED TO BASE RIM WITH A STAINLESS STEEL STRAP AND LOCK.
FILTER FOR OTHER SHAPE GRATES SHALL BE APPROVED IN ADVANCE OF PLACEMENT BY VILLAGE ENGINEERING.

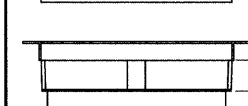
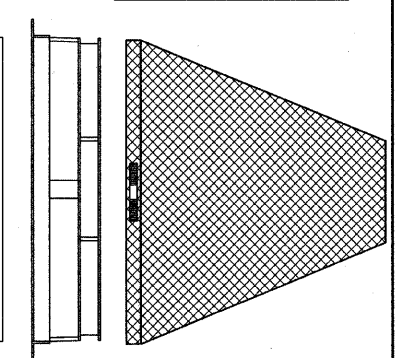
REVISED:01-01-09

NOT TO SCALE
FILTER FOR ROUND
OPEN (TYPE 1)
GRATE & FRAME DETAIL

FRAME - PLAN VIEW



SEDIMENT BAG - SECTION



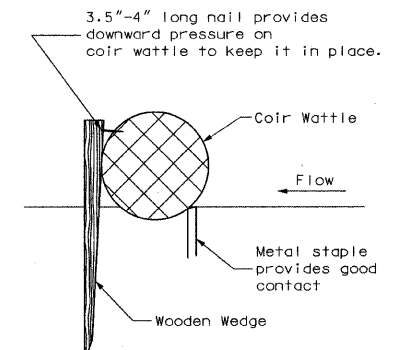
FABRIC FLAP TO COVER CURB BOX

GENERAL NOTES:

FRAME: TOP FLANGE FABRICATED FROM 1 1/2"x1 1/2"x1/8" ANGLE. BASE RIM FABRICATED FROM 1 1/2"x1/2"x1/8" CHANNEL. HANDLES AND SUSPENSION BRACKETS FABRICATED FROM 1 1/2"x1/4" FLAT STOCK. ALL STEEL CONFORMING TO ASTM-A36.
SEDIMENT BAG: BAG FABRICATED FROM 4 OZ./ SQ. YD. NON-WOVEN POLYPROPYLENE GEOTEXTILE REINFORCED WITH POLYESTER MESH. BAG SECURED TO BASE RIM WITH A STAINLESS STEEL STRAP AND LOCK.

NOT TO SCALE
REVISED:01-01-09

TYPICAL
CURB BOX
CATCH-ALL



ABOVE GRADE INLET PROTECTION
COIR WATTLE

COCONUT FIBER ROLLED PRODUCT
FOR INLET SEDIMENT CONTROL

FILE NAME =	USER NAME = #USER#	DESIGNED RM, MT	REVISED -	STATE OF ILLINOIS DEPARTMENT OF TRANSPORTATION	DETAILS TECHNY TRAIL - SEGMENT 3 BIKE PATH	F.A. RTE.	SECTION	COUNTY	TOTAL SHEETS	SHEET NO.	
#FILEL#		DRAWN JP, JJ	REVISED -			2766	08-00168-00-BT	COOK	18	13	
	PLOT SCALE = 1" = 20'	CHECKED DAC	REVISED -			GLENVIEW, ILLINOIS CONTRACT NO. 63492					
	PLOT DATE = 6/28/2010	DATE -	REVISED -			ILLINOIS FED. AID PROJECT					
				SCALE: N.T.S. SHEET NO. 13 OF 18 SHEETS STA. TO STA.							