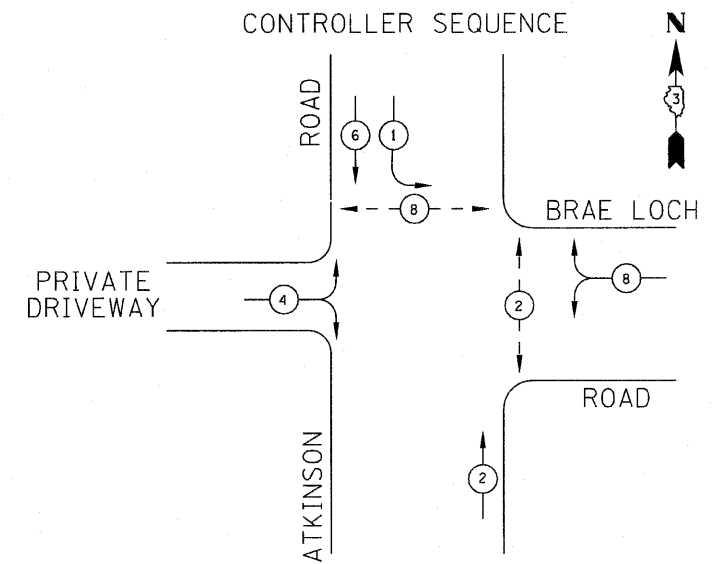
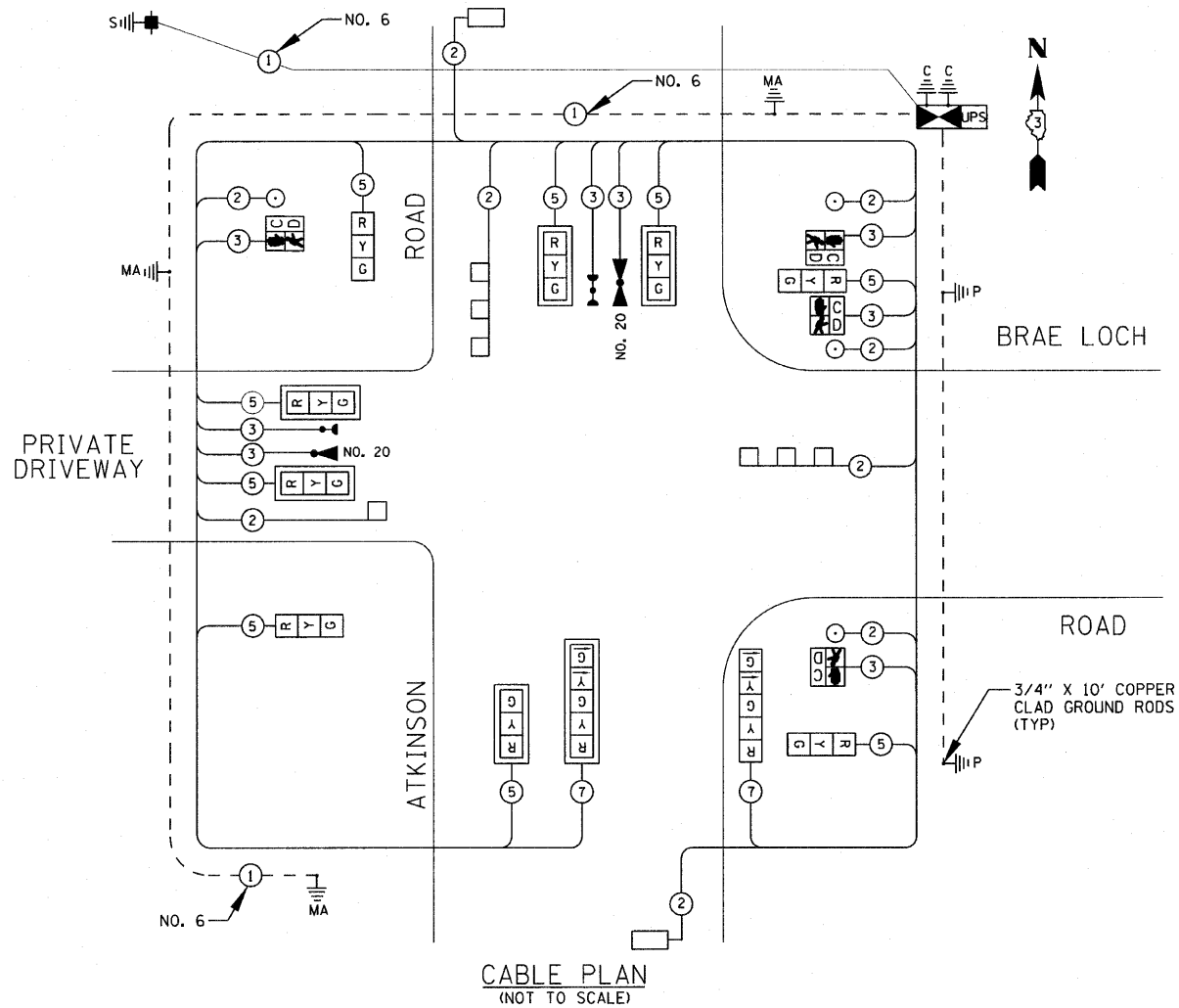


SCHEDULE OF QUANTITIES

PAY ITEM	UNIT	TOTAL QUANTITY
SIGN PANEL - TYPE 1	SQ FT	27
CONDUIT IN TRENCH, 2" DIA., GALVANIZED STEEL	FOOT	425
CONDUIT IN TRENCH, 3" DIA., GALVANIZED STEEL	FOOT	41
CONDUIT IN TRENCH, 4" DIA., GALVANIZED STEEL	FOOT	20
CONDUIT PUSHED, 2" DIA., GALVANIZED STEEL	FOOT	201
CONDUIT PUSHED, 4" DIA., GALVANIZED STEEL	FOOT	184
HANDHOLE	EACH	6
HEAVY-DUTY HANDHOLE	EACH	1
DOUBLE HANDHOLE	EACH	1
TRENCH AND BACKFILL FOR ELECTRICAL WORK	FOOT	471
FULL-ACTUATED CONTROLLER AND TYPE IV CABINET, SPECIAL	EACH	1
ELECTRIC CABLE IN CONDUIT, SIGNAL, NO. 14 2C	FOOT	368
ELECTRIC CABLE IN CONDUIT, SIGNAL, NO. 14 3C	FOOT	635
ELECTRIC CABLE IN CONDUIT, SIGNAL, NO. 14 5C	FOOT	1,155
ELECTRIC CABLE IN CONDUIT, SIGNAL, NO. 14 7C	FOOT	338
ELECTRIC CABLE IN CONDUIT, LEAD-IN, NO. 14 1 PAIR	FOOT	977
ELECTRIC CABLE IN CONDUIT, SERVICE, NO. 6 2C	FOOT	87
TRAFFIC SIGNAL POST, GALVANIZED STEEL, 14 FT.	EACH	1
TRAFFIC SIGNAL POST, GALVANIZED STEEL, 16 FT.	EACH	1
STEEL MAST ARM ASSEMBLY AND POLE, 28 FT.	EACH	1
STEEL MAST ARM ASSEMBLY AND POLE, 32 FT.	EACH	2
CONCRETE FOUNDATION, TYPE A	FOOT	8
CONCRETE FOUNDATION, TYPE C	FOOT	4
CONCRETE FOUNDATION, TYPE E 30-INCH DIAMETER	FOOT	37
SIGNAL HEAD, 1-FACE, 3-SECTION, BRACKET MOUNTED	EACH	3
SIGNAL HEAD, 1-FACE, 3-SECTION, MAST ARM MOUNTED	EACH	5
SIGNAL HEAD, 1-FACE, 5-SECTION, MAST ARM MOUNTED	EACH	1
SIGNAL HEAD, 2-FACE, 1-3 SECTION, 1-5 SECTION, BRACKET MO	EACH	1
PEDESTRIAN SIGNAL HEAD, LED, 1-FACE, BRACKET MOUNTED	EACH	4
TRAFFIC SIGNAL BACKPLATE, LOUVERED, ALUMNUM	EACH	6
INDUCTIVE LOOP DETECTOR	EACH	5
DETECTOR LOOP, TYPE I	FOOT	304
LIGHT DETECTOR	EACH	2
LIGHT DETECTOR AMPLIFIER	EACH	1
PEDESTRIAN PUSH-BUTTON	EACH	4
SERVICE INSTALLATION - POLE MOUNTED	EACH	1
UNINTERRUPTIBLE POWER SUPPLY	EACH	1
ELECTRIC CABLE IN CONDUIT, GROUNDING, NO. 6 1C	FOOT	998
ELECTRIC CABLE IN CONDUIT NO. 20 3/C, TWISTED, SHIELDED	FOOT	232

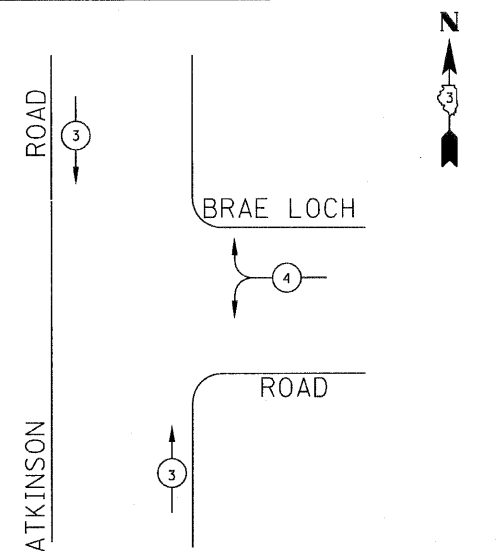


PHASE DESIGNATION DIAGRAM

LEGEND

- ← ● → DUAL ENTRY PHASE
- ← ● → PEDESTRIAN PHASE
- NUMBER REFERS TO ASSOCIATED PHASE

EMERGENCY VEHICLE PREEMPTION SEQUENCE



PROPOSED EMERGENCY VEHICLE PREEMPTION		
EMERGENCY VEHICLE PREEMPTION	3	4
MOVEMENT	↑	←

NOTES:

1. THE NEUTRAL AND GROUND SHALL BE TIED AT THE SERVICE INSTALLATION, BUT SHALL BE SEPERATED AT THE TRAFFIC SIGNAL CABINET.

I.D.O.T. TRAFFIC SIGNAL INSTALLATION ELECTRICAL SERVICE REQUIREMENTS
 VILLAGE OF GRAYSLAKE, ILLINOIS
 10 S. SEYMOUR AVE. GRAYSLAKE, ILLINOIS 60030-0325
 ENERGY SUPPLY CONTACT: LOUIS HICKS
 PHONE: 847-816-5489
 COMPANY: COM ED
 DESIGNED - DJS
 DRAWN - UKB
 CHECKED - RWL
 DATE - 4-27-10
 REVISED - 6-8-10 IDOT REVIEW
 REVISED -
 REVISED -
 FILE - 090772-TS-CABLE.dgn
 SCALE: STA. TO STA.
 F.A.U. RTE. 0198 SECTION 09-00058-00-RS COUNTY LAKE TOTAL SHEETS 46 SHEET NO. 33 CONTRACT NO. 63498
 FED. ROAD DIST. NO. 1 | ILLINOIS FED. AID PROJECT: M-9003 (485)

TYPE	NO. LAMPS	WATTAGE INCAND.	WATTAGE LED	%OPERATION	TOTAL WATTAGE
SIGNAL (RED)	11	135	--	0.50	742.5
(YELLOW)	11	135	--	0.25	371.25
(GREEN)	11	135	--	0.25	371.25
ARROW	4	135	--	0.10	54
PED. SIGNAL	4	--	25	1.00	100
CONTROLLER	1	100	--	1.00	100
ILLUM. SIGN	--	--	--	0.05	--
FLASHER				0.50	
ENERGY COSTS TO:				TOTAL =	1739



**VILLAGE OF GRAYSLAKE, ILLINOIS
ATKINSON ROAD RESURFACING
AND RECONSTRUCTION IMPROVEMENTS**

**CABLE PLAN, PHASE DESIGNATION DIAGRAM
AND SCHEDULE OF QUANTITIES**

F.A.U. RTE.	SECTION	COUNTY	TOTAL SHEETS	SHEET NO.
0198	09-00058-00-RS	LAKE	46	33
CONTRACT NO. 63498			FED. ROAD DIST. NO. 1 ILLINOIS FED. AID PROJECT: M-9003 (485)	