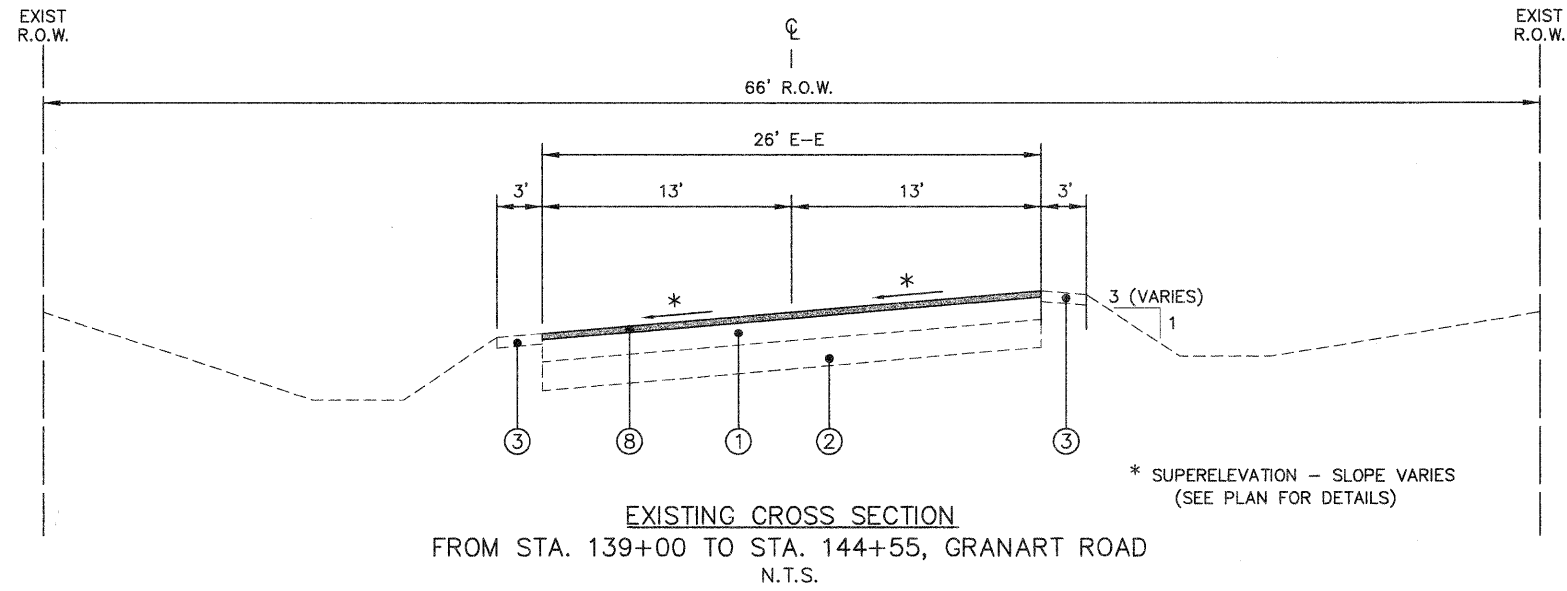
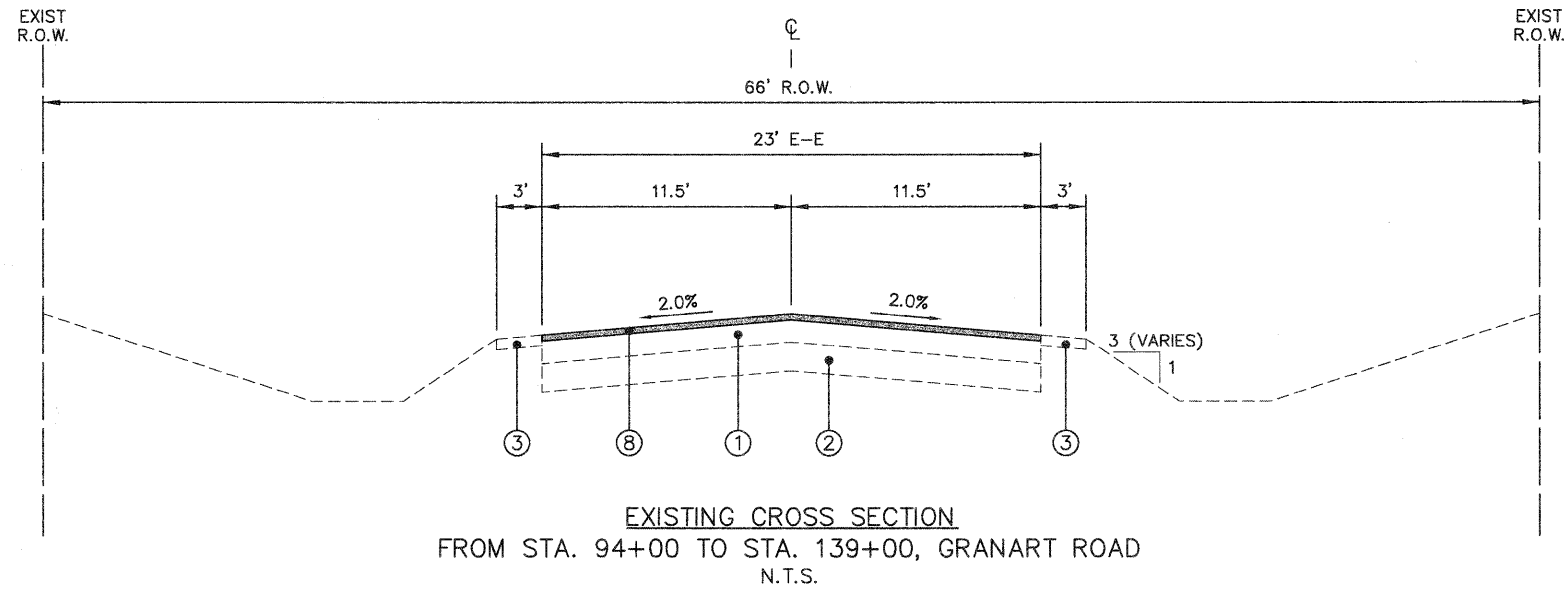


F.A.U. RTE.	SECTION	COUNTY	TOTAL SHEETS	SHEET NO.
3898	10-00024-00-RS	KANE	13	4
CONTRACT NO. 63499				



LEGEND

①	EXISTING 7" & VARIES ASPHALT PAVEMENT
②	EXISTING 7" & VARIES AGGREGATE BASE
③	EXISTING 3' AGGREGATE SHOULDER
④	HOT-MIX ASPHALT SURFACE COURSE, MIX "C", N50, 1.5"
⑤	LEVELING BINDER (MACHINE METHOD), N50, 1"
⑥	BITUMINOUS MATERIALS (PRIME COAT) AND AGGREGATE (PRIME COAT)
⑦	AGGREGATE WEDGE SHOULDER, TYPE B
⑧	HOT IN-PLACE RECYCLING

Plotted: June 8, 2010 @ 4:23 PM By: Larry Nolan - Tab: 04 Section - 22x34

COPYRIGHT © 2010 ENGINEERING ENTERPRISES, INC.

Engineering Enterprises, Inc.
CONSULTING ENGINEERS
52 Wheeler Road
Sugar Grove, Illinois 60554
630.466.6700 / www.eeiweb.com

VILLAGE OF SUGAR GROVE
KANE COUNTY, ILLINOIS

NO.	DATE	REVISIONS

GRANART ROAD
LAPP IMPROVEMENTS

TYPICAL EXISTING
SECTIONS

DATE:	JUNE 2010
PROJECT NO:	SG1012
FILE:	SG1012-CVR
SHEET	4 OF 13

Path: H:\SIS\KPRCA\SG0307\DWG\SG1012\DWG_FINAL_ENG\SG1012-CVR