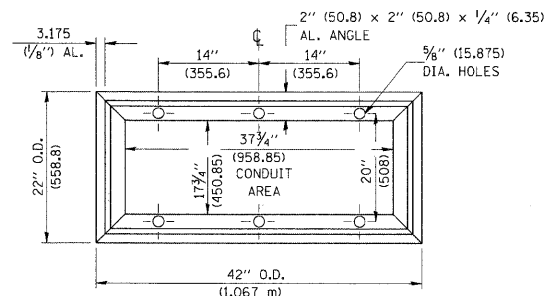
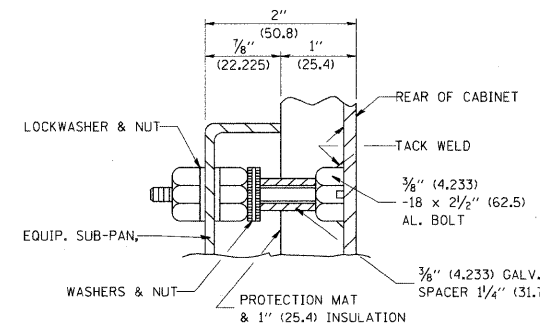


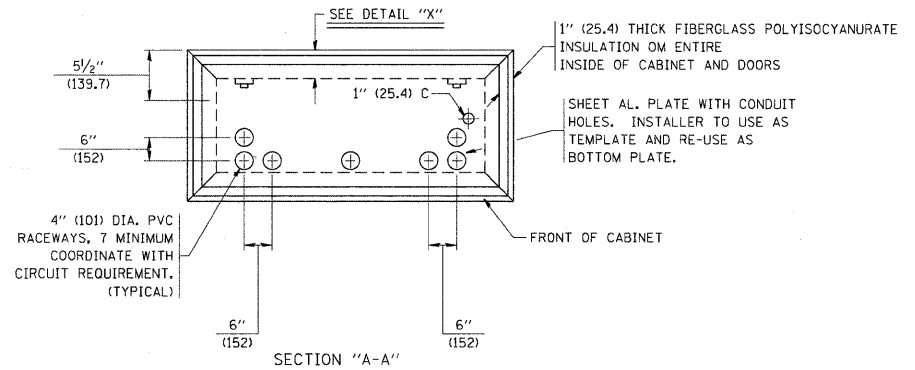
DETAIL "Y"



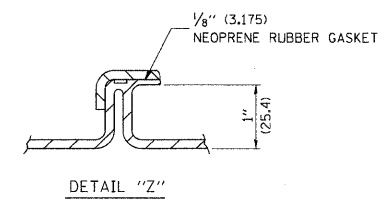
BASE MTG. DETAIL



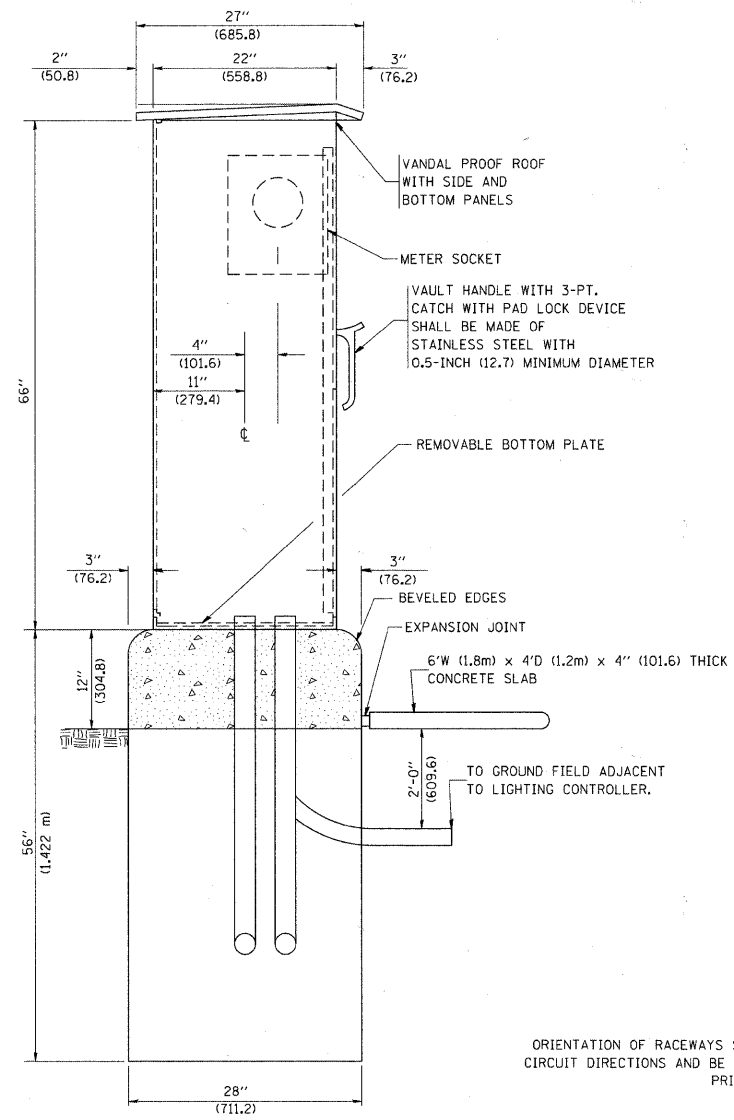
DETAIL "X"



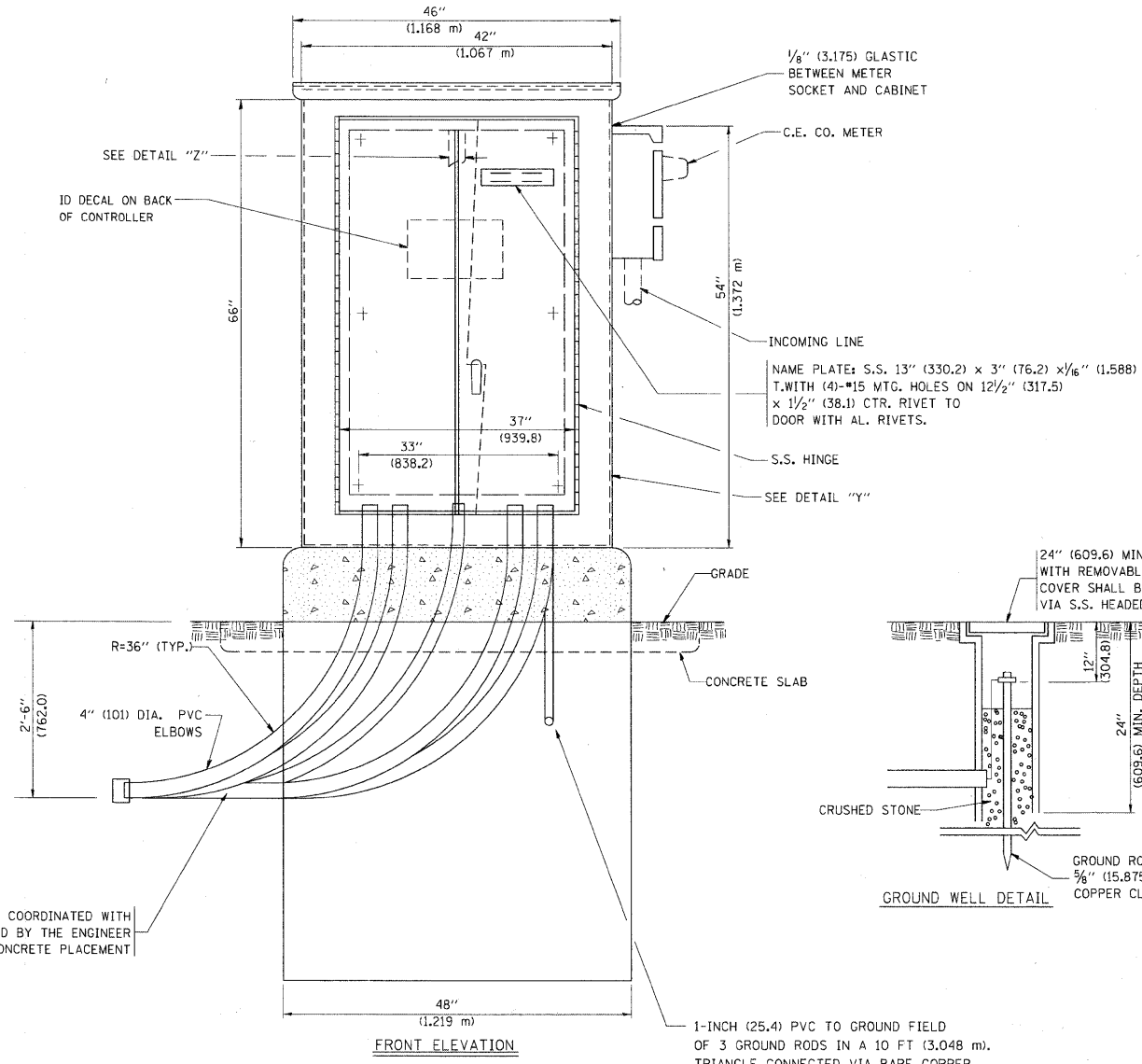
SECTION "A-A"



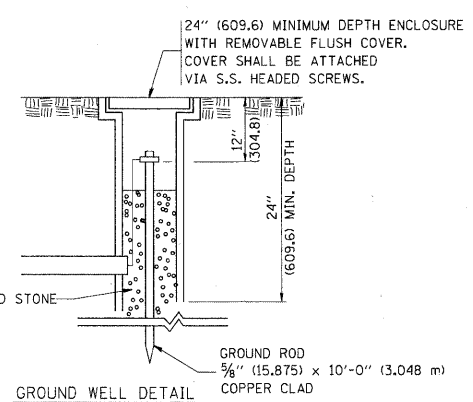
DETAIL "Z"



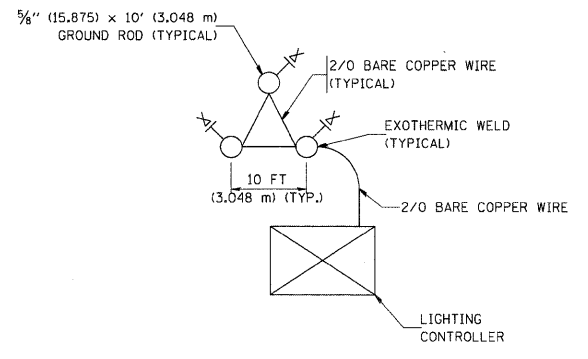
LEFT SIDE ELEVATION



FRONT ELEVATION



GROUND WELL DETAIL



GROUND FIELD DETAIL (N.T.S.)

THE CONTRACTOR SHALL VERIFY EXACT LOCATION WITH THE ENGINEER

ORIENTATION OF RACEWAYS SHALL BE COORDINATED WITH CIRCUIT DIRECTIONS AND BE INSPECTED BY THE ENGINEER PRIOR TO CONCRETE PLACEMENT

1-INCH (25.4) PVC TO GROUND FIELD OF 3 GROUND RODS IN A 10 FT (3.048 m). TRIANGLE CONNECTED VIA BARE COPPER WIRE. VERIFY EXACT LOCATION OF GROUND FIELD WITH THE ENGINEER. NO GROUND WELL SHALL BE PLACED IN CONCRETE PAD IN FRONT OF CONTROLLER.

FILE NAME =	USER NAME = drivakosgn	DESIGNED -	REVISED - R. TOMSONS 08-19-04	STATE OF ILLINOIS DEPARTMENT OF TRANSPORTATION	LIGHTING CONTROLLER, RADIO CONTROL DUPLIX TYPE WITH SCADA	F.A.J. RTE.	SECTION	COUNTY	TOTAL SHEETS	SHEET NO.	
c:\pwwork\pwwid\DRIVAKOSGN\0128315\0128315.dgn	PLOT SCALE = 50.000 "/td> <td>DRAWN -</td> <td>REVISED - R. TOMSONS 05-11-09</td> <td>1339</td> <td>09-00054-00-CH</td> <td>COOK</td> <td>88</td> <td>49</td>	DRAWN -	REVISED - R. TOMSONS 05-11-09			1339	09-00054-00-CH	COOK	88	49	
PLOT DATE = 5/11/2009	CHECKED -	REVISED -	SCALE: NONE			SHEET NO. 3 OF 4 SHEETS	STA.	TO STA.	BE-205 CONTRACT NO. 63505		
	DATE -	REVISED -	FED. ROAD DIST. NO. 1 ILLINOIS FED. AID PROJECT ARA-M-9003(569)								