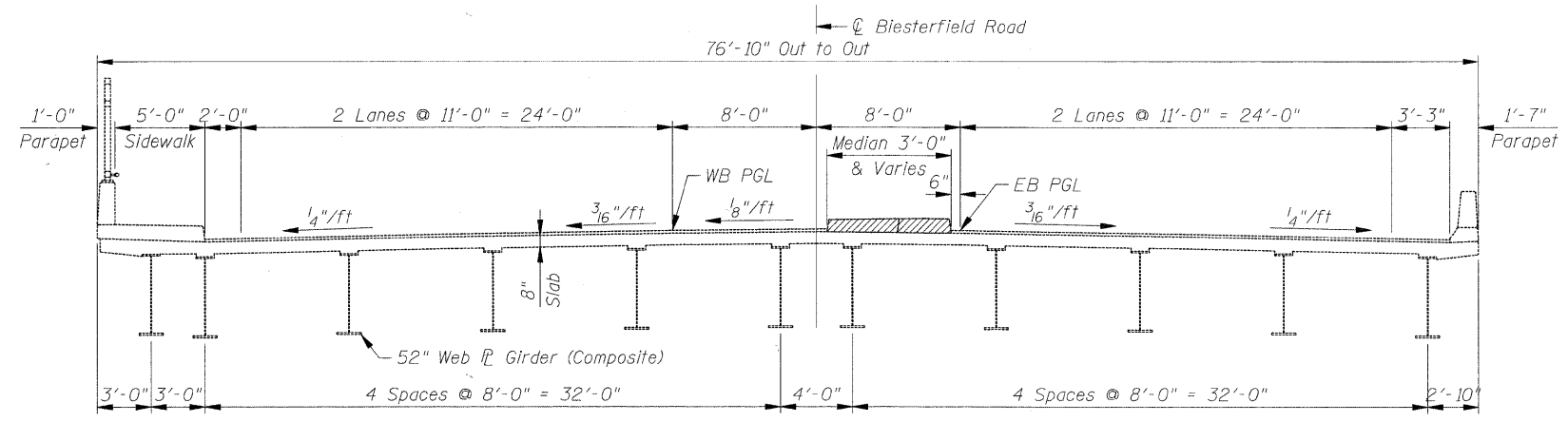
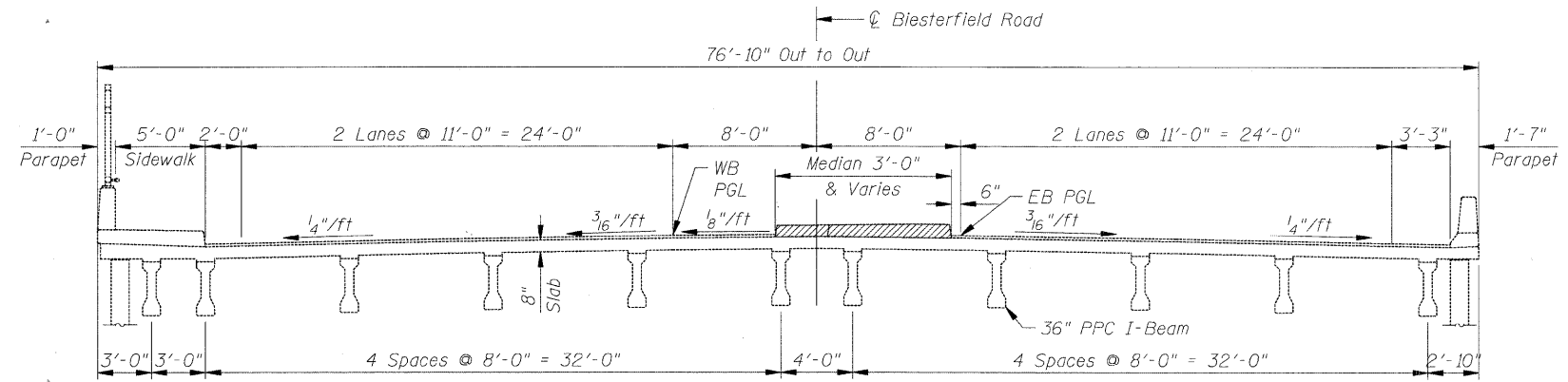


ROUTE NO.	SECTION	COUNTY	TOTAL SHEETS	SHEET NO.
F.A.U. 1339	09-00054-00-CH	COOK	88	57
FED. ROAD DIST. NO. 7	ILLINOIS	FED. AID PROJECT - ARA-M-REBID#8		

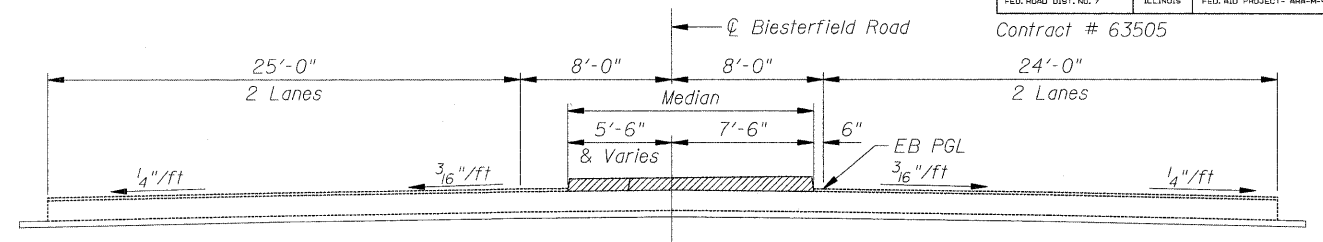
Contract # 63505



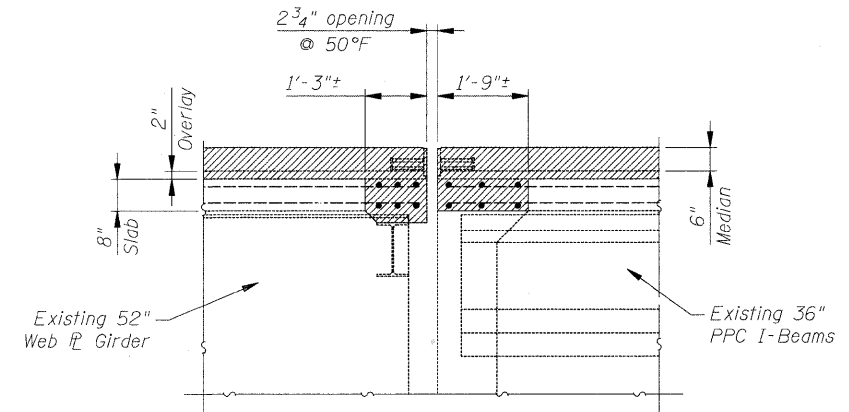
**CROSS SECTION**  
(Looking East)



**CROSS SECTION - APPROACH SPAN**  
(Looking East)

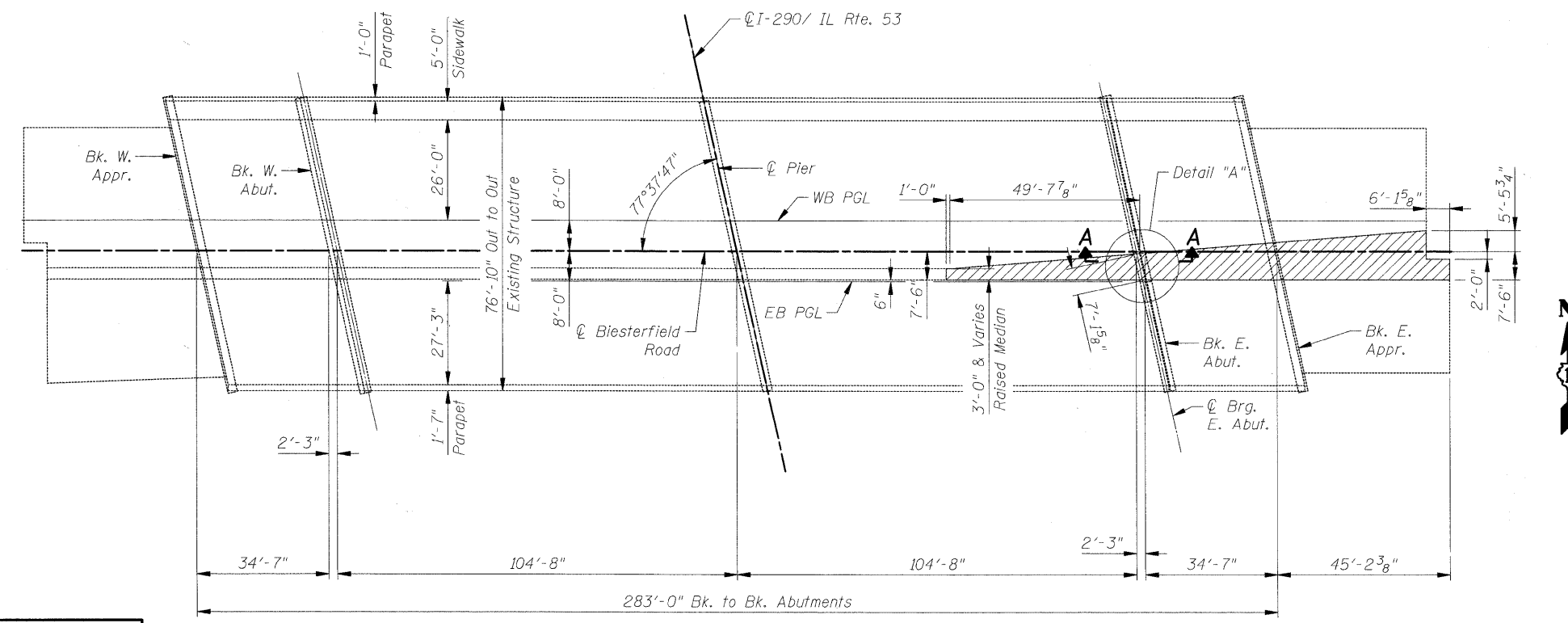


**CROSS SECTION - APPROACH PAVEMENT**  
(Looking East)

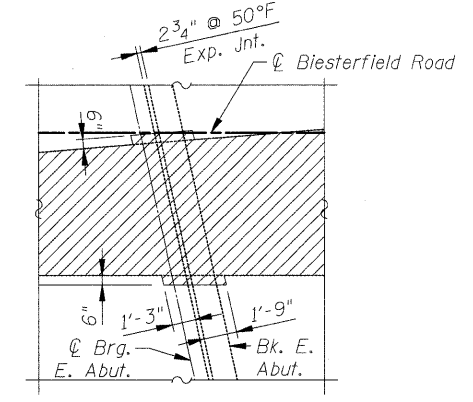


**SECTION A-A**

- Notes:
- Hatched area shall be removed & replaced to provide a 2 3/4" Right Angle Jt. @ 50°F.
  - Existing Reinforcement bars extending into the removal area shall be cleaned and incorporated into the New Concrete. Cost included with Concrete Removal.



**PLAN**



**DETAIL "A"**

**BILL OF MATERIAL**

ITEM	UNIT	TOTAL
Concrete Removal	Cu. Yd.	26.5

S3 OF S5

STATE OF ILLINOIS  
DEPARTMENT OF TRANSPORTATION  
CONCRETE REMOVAL DETAILS  
F.A.U. 1339 BIESTERFIELD ROAD OVER I-290  
SECTION 09-00054-00-CH  
COOK COUNTY  
STATION 22+28.14, STRUCTURE NO. 016-0960  
Scale: None  
Date: July 7, 2010  
By: M. Lange  
Checked By: G. Hatlestad

**CIVILTECH**  
450 E Devon Ave, Suite 300  
Itasca, Illinois 60143  
Tel: 630.773.3900 Fax: 630.773.3975  
www.civiltechinc.com

Indicates Limits of Concrete Removal