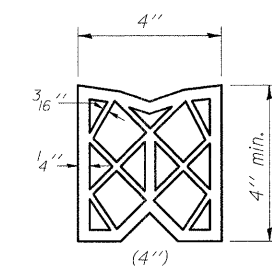


*Cut retainer bars in sidewalk or median 6" short of the sidewalk or median face.

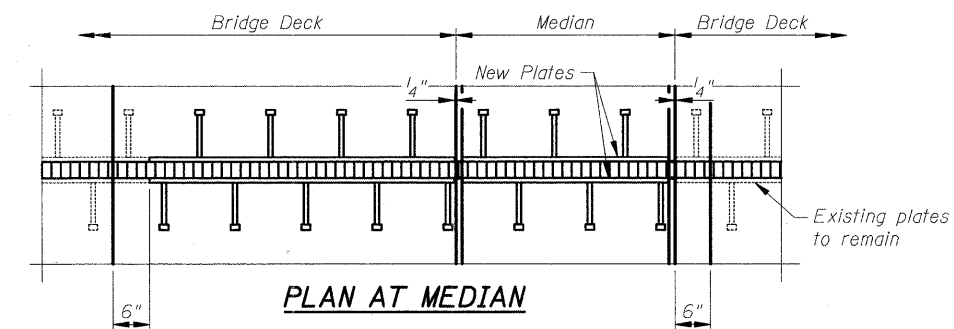
SECTION THRU EXPANSION JOINT
(4" joint seals)



PREFORMED JOINT SEAL

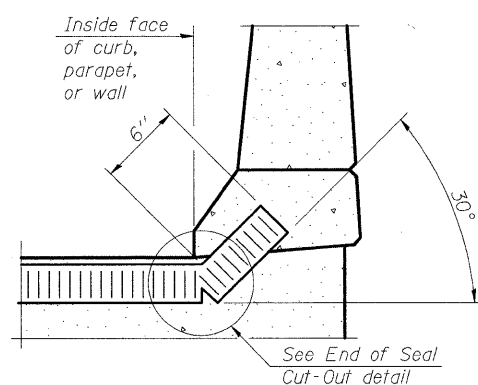
NOTES

- All structural steel shall be shop painted with inorganic zinc rich primer per AASHTO M300, Type 1. Cost included with Performed Joint Seal, 4".
- Maximum space between installed segments of steel plates and existing steel plates shall be 3/16". Seal space with silicone suitable for structural steel.

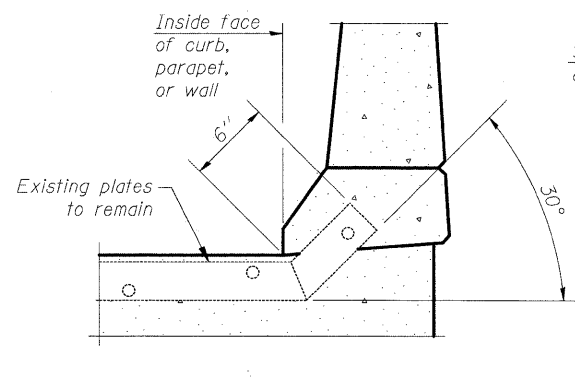


PLAN AT MEDIAN

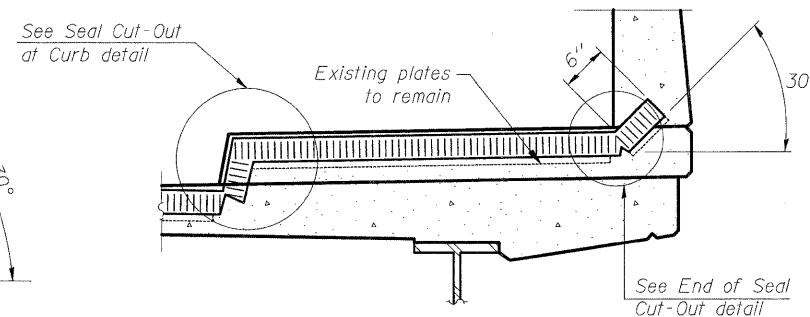
Cost of plates to be included with the Preformed Joint Seal, 4"



AT CURB, PARAPET, OR WALL**
(Showing seal)

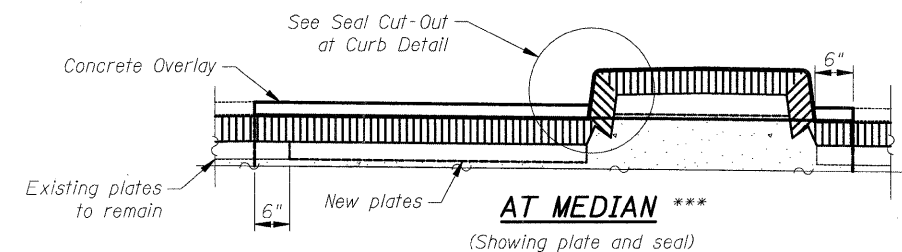


AT CURB, PARAPET, OR WALL**
(Showing plate)



AT SIDEWALK**
(Showing plate and seal)

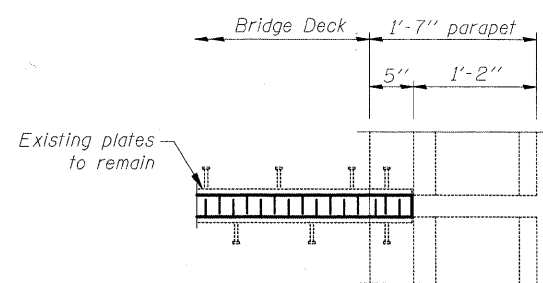
** Verify in field and match existing



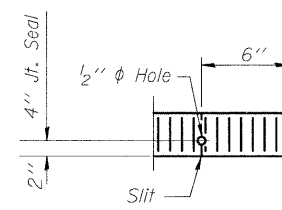
AT MEDIAN***
(Showing plate and seal)

*** Shorter plates with a single row of studs at 12" centers may be necessary on medians which are shallower than 9". See manufacturer's recommendation.

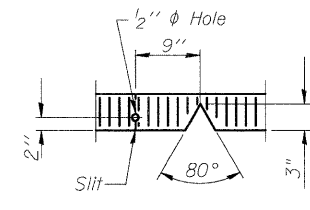
TYPICAL END TREATMENTS



PLAN AT PARAPET



END OF SEAL CUT-OUT



SEAL CUT-OUT AT CURB

BILL OF MATERIAL

Item	Unit	Total
Preformed Joint Seal, 4"	Foot	79

S5 OF S5

STATE OF ILLINOIS
DEPARTMENT OF TRANSPORTATION

EXPANSION JOINT DETAILS
F.A.U. 1339 BIESTERFIELD ROAD OVER I-290
SECTION 09-00054-00-CH
COOK COUNTY
STATION 22+28.14, STRUCTURE NO. 016-0960
Scale: None
Date: July 7, 2010
By: M. Lange
Checked By: G. Haltestad