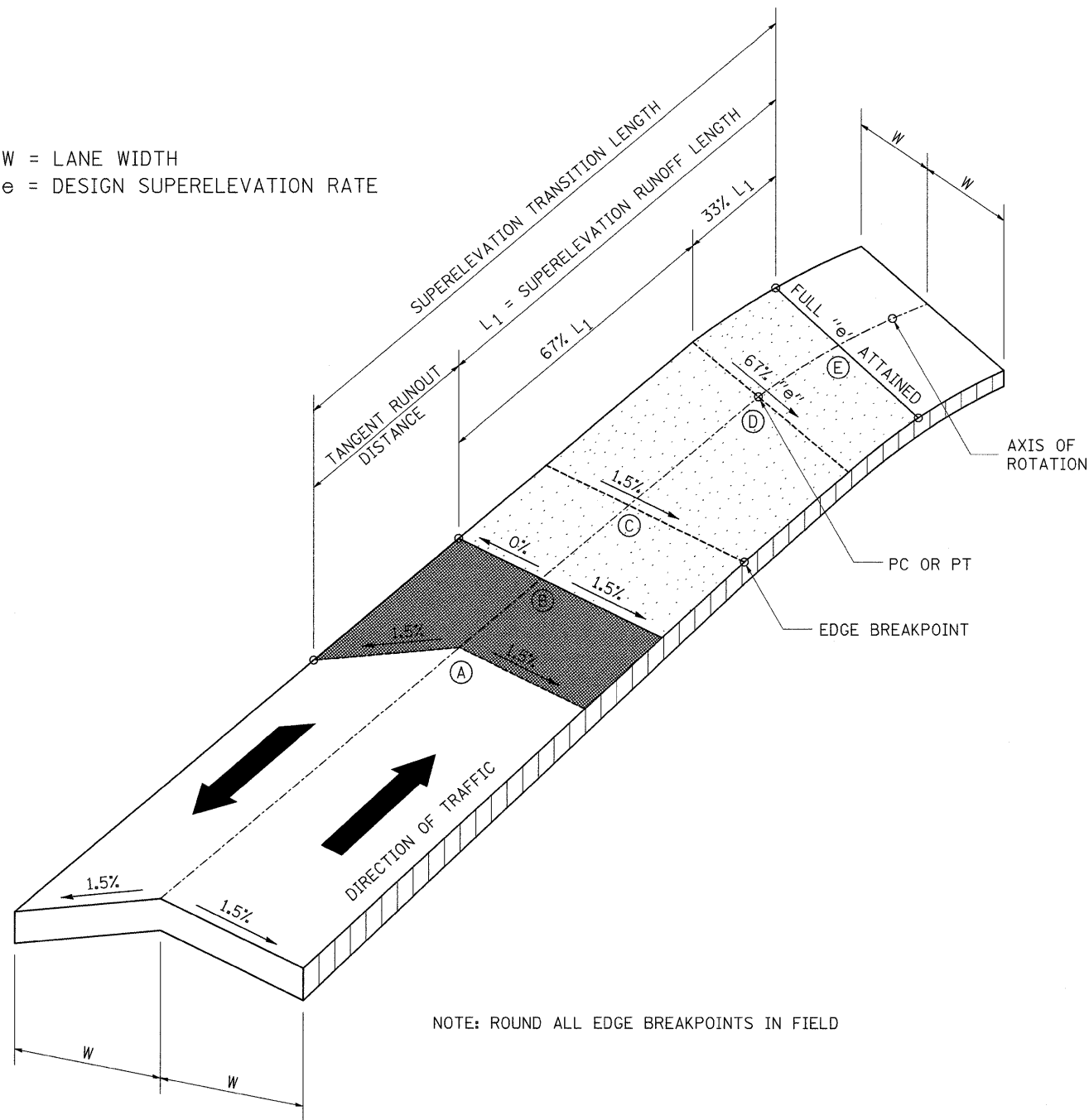


SUPERELEVATION TRANSITION ON TWO-LANE HIGHWAY

W = LANE WIDTH
e = DESIGN SUPERELEVATION RATE



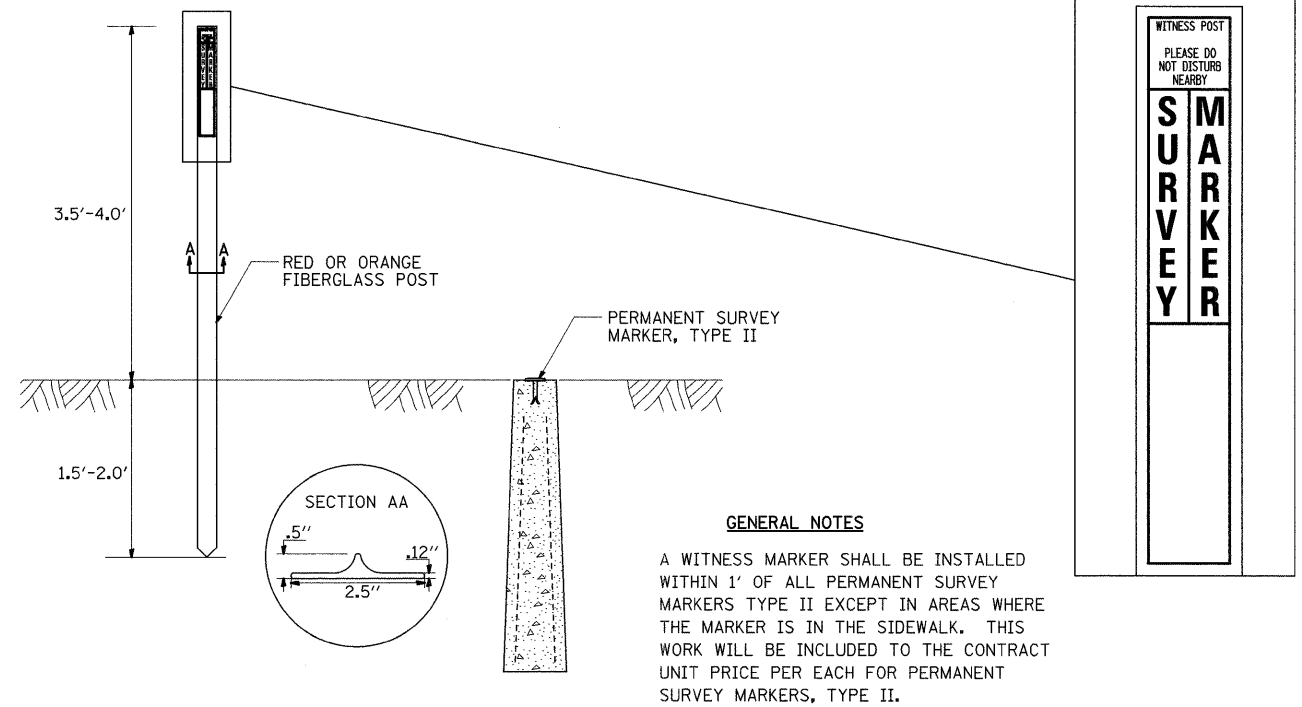
NOTE: ROUND ALL EDGE BREAKPOINTS IN FIELD

TRANSITION CURVE TABLE

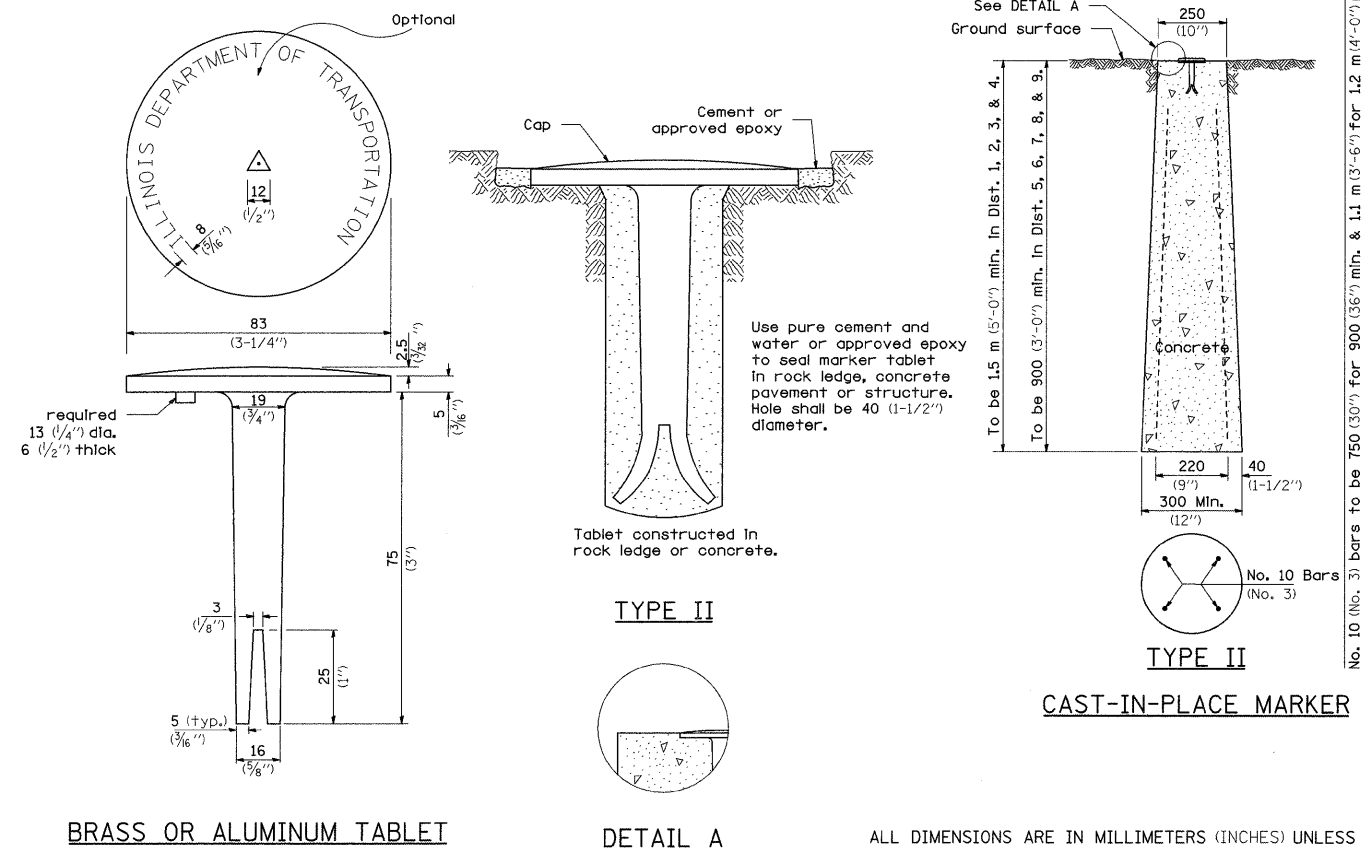
CURVE PI STA.	SUPERELEVATION "e"	W	SUPERELEVATION TRANSITION LENGTH	TANGENT RUNOUT DISTANCE	SUPERELEVATION RUNOFF LENGTH
238+19.18	4.00 %	19	223	61	162

REVISED - 11-09-06

WITNESS MARKER FOR PERMANENT SURVEY MARKERS, TYPE II



PERMANENT SURVEY MARKERS, TYPE II



BRASS OR ALUMINUM TABLET

DETAIL A

ALL DIMENSIONS ARE IN MILLIMETERS (INCHES) UNLESS OTHERWISE NOTED.

REVISED - 10-21-08	REGION 2 / DISTRICT 2 STANDARD			F.A.P. RTE. 754	SECTION 101M-1	COUNTY BOONE	TOTAL SHEETS 74	SHEET NO. 39
REVISED -	SCALE: 50.0000' / 1" SHEET NO. OF SHEETS STA. TO STA.			FED. ROAD DIST. NO. ILLINOIS FED. AID PROJECT		CONTRACT NO. 64E34		
REVISED -	LOT DATE = Wed Mar 10 09:56:20 2010			WITNESS MARKER & PERMANENT SURVEY MARKERS, TYPE II			66.2	