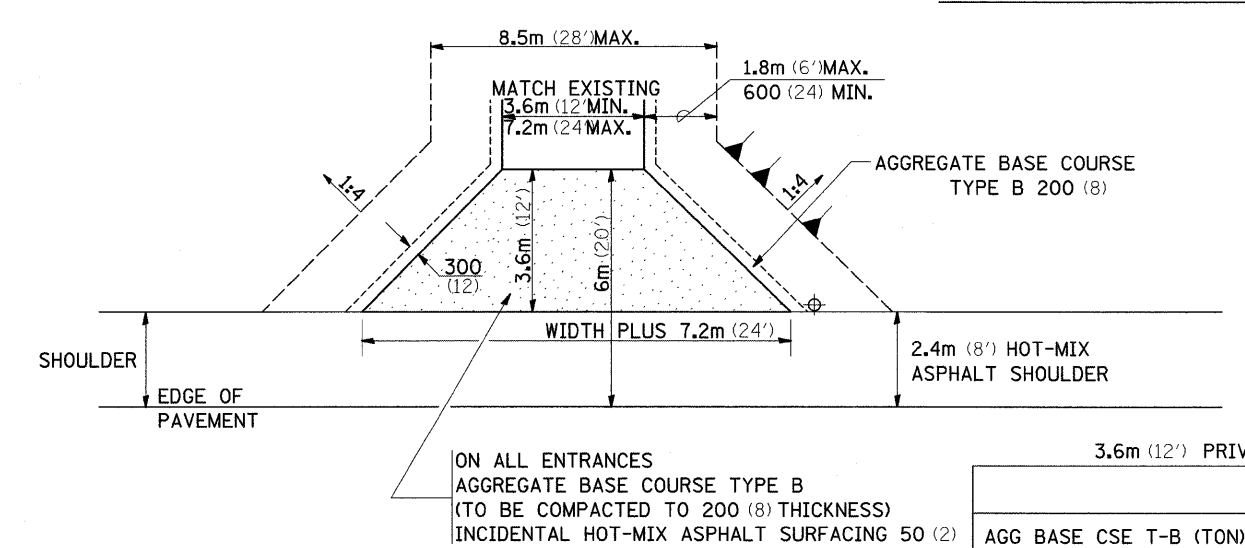
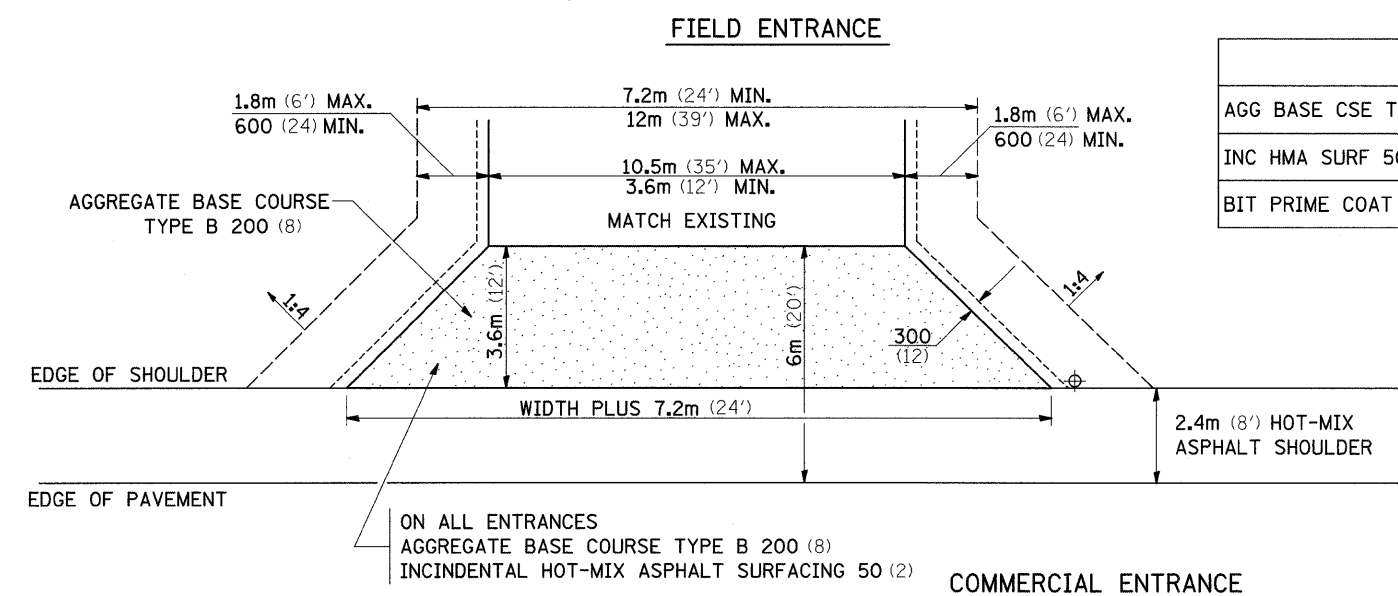
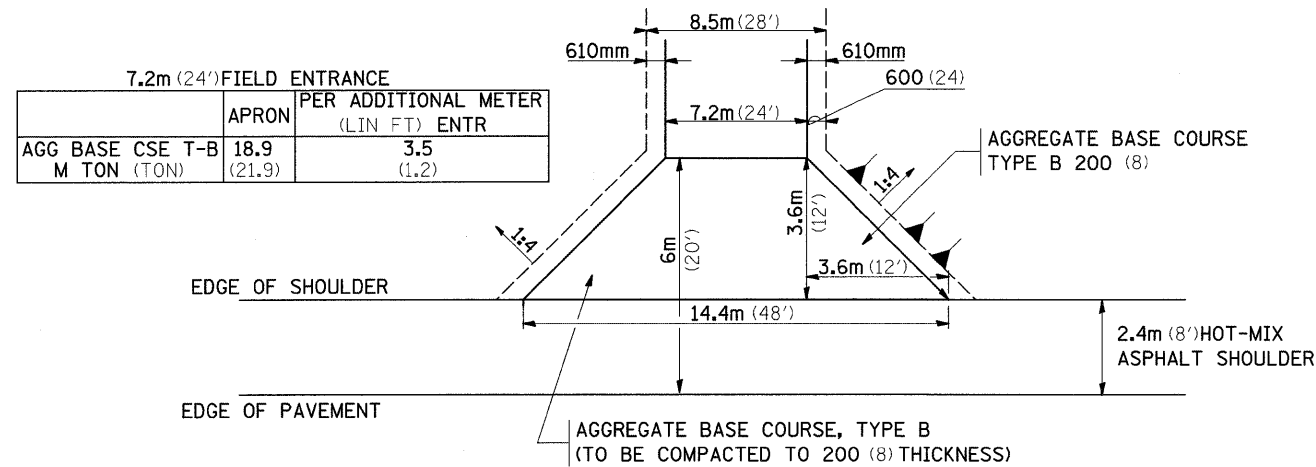


ENTRANCE AND SIDEROADS WITH 2.4m (8') HOT-MIX ASPHALT SHOULDERS

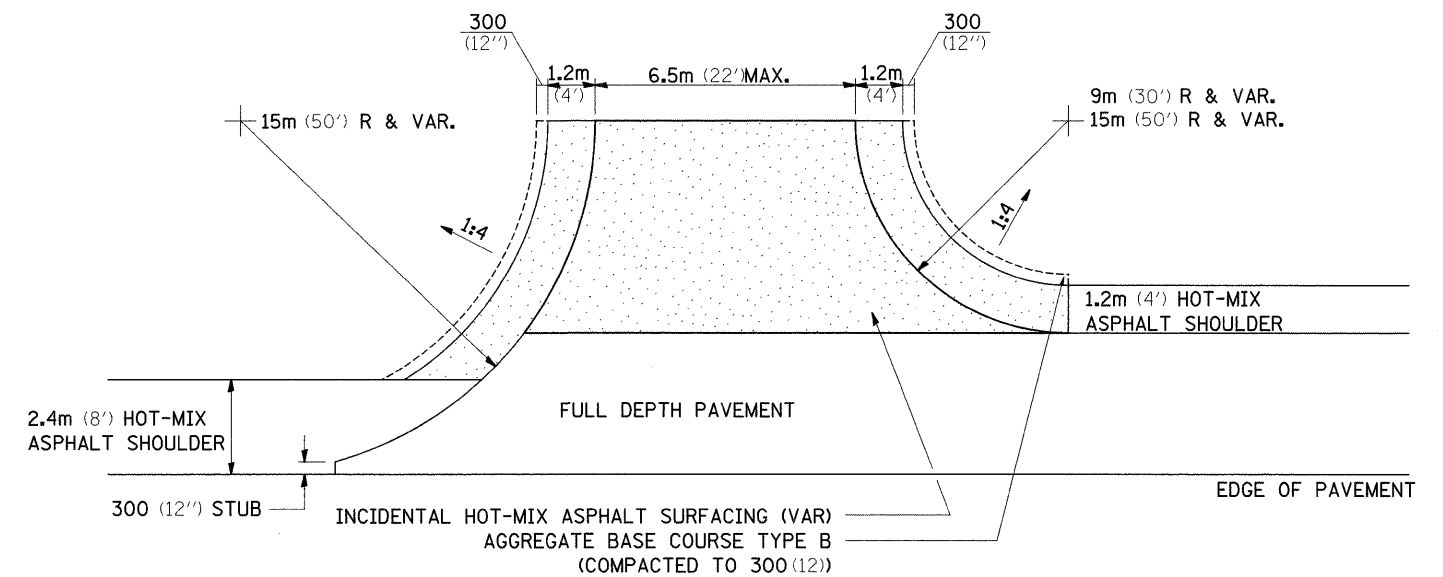


	COMMERCIAL ENTRANCE		PER METER ENTR (FOOT)	
	3.6m (12')	10.5m (35')	3.6m (12')	10.5m (35')
AGG BASE CSE T-B (TON)	14.3 (15.8)	27.0 (29.8)	0.64 (0.70)	1.70 (1.87)
INC HMA SURF 50 (2) (TON)	3.3 (3.6)	6.35 (7.0)	0.14 (0.15)	0.40 (0.44)
BIT PRIME COAT (TON)	0.042 (0.046)	0.082 (0.090)	0.002 (0.002)	0.005 (0.006)

	3.6m (12') PRIVATE ENTRANCE		PER METER ENTR (FOOT)	
	3.6m (12')	7.2m (24')	3.6m (12')	7.2m (24')
AGG BASE CSE T-B (TON)	14.3 (15.8)	21.0 (23.1)	0.64 (0.70)	1.20 (1.32)
INC HMA SURF 50 (2) (TON)	3.3 (3.6)	4.9 (5.4)	0.14 (0.15)	0.27 (0.30)
BIT PRIME COAT (TON)	0.042 (0.046)	0.063 (0.069)	0.002 (0.002)	0.004 (0.004)

NOTE

- ① ALL PE & CE ARE TO BE INCIDENTAL HOT-MIX ASPHALT SURFACED TO RIGHT OF WAY LINE. AREA BEHIND RIGHT OF WAY SHALL MATCH EXISTING SURFACE.
- ② FE ARE TO BE AGGREGATE TO RIGHT OF WAY OR TOUCH DOWN, WHICH EVER IS GREATEST.
- ③ QUANTITIES ARE CALCULATED WITH 2.4m HOT-MIX ASPHALT SHOULDER IN PLACE. AGGREGATE QUANTITIES SHOWN ARE FOR NEW CONSTRUCTION.
- ④ EXCAVATION REQUIRED FOR PLACEMENT OF AGGREGATE BASE COURSE SHALL BE CONSIDERED INCLUDED TO THE AGGREGATE BASE COURSE.
- ⑤ ALL DIMENSIONS ARE IN MILLIMETERS (INCHES) UNLESS OTHERWISE NOTED.



FILE NAME =	USER NAME = goffjl	DESIGNED -	REVISED - 1-15-08	STATE OF ILLINOIS DEPARTMENT OF TRANSPORTATION	REGION 2 / DISTRICT 2 STANDARD	F.A.P. RTE.	SECTION	COUNTY	TOTAL SHEETS	SHEET NO.
ct\pw\work\VPWIDOT\GOFFJL\dms85448\ad898ap1.dgn	PLOT SCALE = 50.0000' / IN.	DRAWN -	REVISED -			754	101M-1	BOONE	74	42
PLOT DATE = Wed Mar 10 09:56:21 2010		CHECKED -	REVISED -			CONTRACT NO. 64E34				
		DATE -	REVISED -			SCALE: SHEET NO. OF SHEETS STA. TO STA.			FED. ROAD DIST. NO.	ILLINOIS FED. AID PROJECT