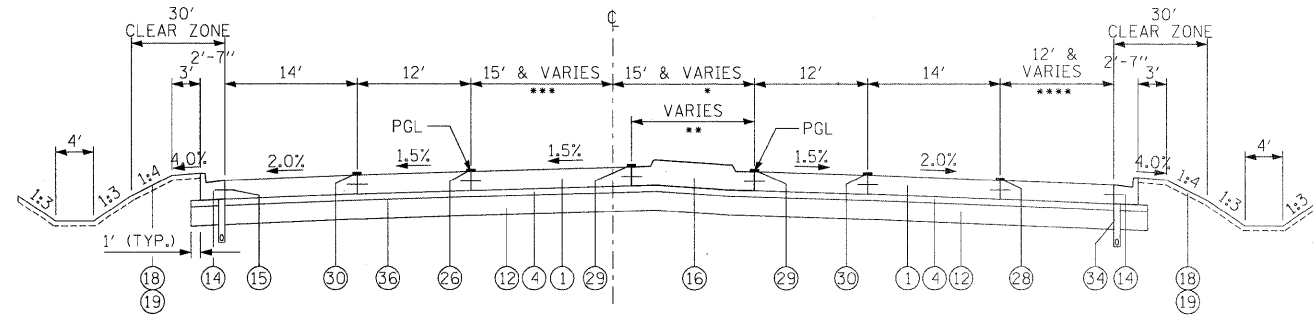
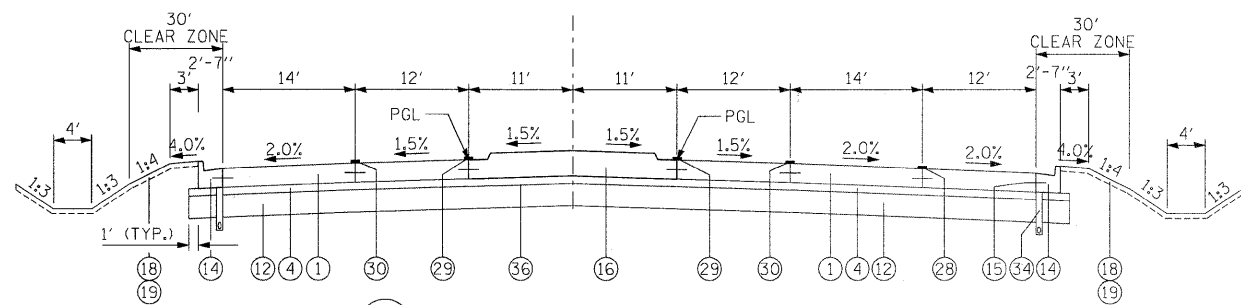


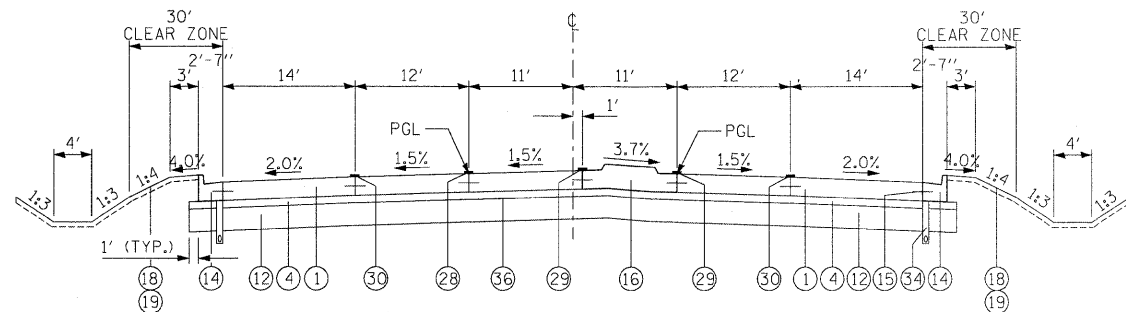
P-B4 PROPOSED BRISBIN ROAD  
 STA. 99+05.49 TO STA. 104+71.68 • PGL FROM STA. 100+00.00 TO STA. 104+46.08



P-B5 PROPOSED BRISBIN ROAD  
 STA. 104+71.68 TO STA. 108+00.00  
 • VARIES 15' TO 11' FROM STA. 105+59.57 TO STA. 107+39.57  
 \*\* VARIES 6' TO 22' FROM STA. 104+71.68 TO STA. 108+00.00  
 \*\*\* VARIES 15' TO 11' FROM STA. 106+20.00 TO STA. 108+00.00  
 \*\*\*\* VARIES 0' TO 12' FROM STA. 105+59.57 TO STA. 107+39.57



P-B6 PROPOSED BRISBIN ROAD  
 STA. 108+00.00 TO STA. 110+16.61



P-B7 PROPOSED BRISBIN ROAD  
 STA. 110+16.61 TO STA. 113+37.69  
 BRIDGE OMISSION STA. 113+37.69 TO STA. 116+62.15

EXISTING LEGEND:

- (A) EXISTING PCC PAVEMENT, 14"
- (B) EXISTING HOT-MIX ASPHALT PAVEMENT, 3"
- (C) EXISTING AGGREGATE SUBGRADE, 8"
- (D) EXISTING STABILIZED SUB-BASE, 6"
- (E) EXISTING POROUS GRANULAR EMBANKMENT, SUBGRADE, 12"
- (F) EXISTING AGGREGATE SHOULDER, 3"
- (G) EXISTING AGGREGATE SHOULDERS, TYPE "A", 8"
- (H) EXISTING STABILIZED SHOULDERS, 8"
- (I) EXISTING SUBBASE GRANULAR MATERIAL TYPE "A", 4"
- (J) EXISTING STABILIZED BASE COURSE, 9"
- (K) EXISTING BITUMINOUS CONCRETE BINDER COURSE, 1 1/2"
- (L) EXISTING BITUMINOUS CONCRETE SURFACE COURSE, 1 1/2"
- (M) EXISTING BITUMINOUS CONCRETE LEVELING BINDER, 5/8"
- (N) EXISTING BITUMINOUS CONCRETE SURFACE COURSE 1 3/8"
- (O) EXISTING AGGREGATE SHOULDERS, TYPE "B", 2"
- (P) EXISTING BITUMINOUS SURFACE TREATMENT

PROPOSED LEGEND:

- (1) PORTLAND CEMENT CONCRETE PAVEMENT 10 1/4" (JOINTED)
- (2) PORTLAND CEMENT CONCRETE SHOULDERS 10 1/4"
- (3) PORTLAND CEMENT CONCRETE SHOULDERS 14"
- (4) STABILIZED SUBBASE - HOT-MIX ASPHALT, 4"
- (6) HOT-MIX ASPHALT PAVEMENT (FULL DEPTH), 16 1/2"
- (7) HOT-MIX ASPHALT SURFACE COURSE, MIX "C", N50, 2"
- (8) HOT-MIX ASPHALT BASE COURSE, 6 3/4"
- (9) AGGREGATE SHOULDERS, TYPE B, 6"
- (10) HOT-MIX ASPHALT SHOULDERS, 8"
- (11) AGGREGATE SURFACE COURSE, TYPE A
- (12) AGGREGATE SUBGRADE 12"
- (13) SUB-BASE GRANULAR MATERIAL, TYPE C
- (14) COMBINATION CONCRETE CURB AND CUTTER, TYPE B-6.24
- (15) LONGITUDINAL CONSTRUCTION JOINT, NO. 8 EPOXY COATED TIE BARS 30" LONG AT 24" CENTERS
- (16) CONCRETE MEDIAN, TYPE SB-6.24
- (17) CORRUGATED MEDIAN
- (18) TOPSOIL EXCAVATION AND PLACEMENT
- (19) SEEDING, CLASS 2A OR SEEDING, CLASS 3 FOR SLOPES 1:3 OR STEEPER
- (20) HOT-MIX ASPHALT SURFACE REMOVAL, 1 1/4"
- (21) PAVEMENT REMOVAL
- (22) SHOULDER RUMBLE STRIP
- (23) STEEL PLATE BEAM GUARD RAIL, TYPE A
- (24) POLYUREA PAVEMENT MARKING TYPE II - LINE 4" (WHITE)
- (25) POLYUREA PAVEMENT MARKING TYPE II - LINE 4" (DOUBLE YELLOW @ 8" C-C)
- (26) POLYUREA PAVEMENT MARKING TYPE II - LINE 8" (WHITE SKIP-DASH 6'-2')
- (27) POLYUREA PAVEMENT MARKING TYPE II - LINE 4" (WHITE SKIP-DASH 6'-2')
- (28) POLYUREA PAVEMENT MARKING TYPE II - LINE 8" (WHITE)
- (29) POLYUREA PAVEMENT MARKING TYPE II - LINE 4" (YELLOW)
- (30) POLYUREA PAVEMENT MARKING TYPE II - LINE 6" (WHITE SKIP-DASH 30'-10')
- (32) POLYMERIZED HOT-MIX ASPHALT SURFACE COURSE, MIX "D", N90
- (33) POLYMERIZED LEVELING BINDER (MACHINE METHOD), N90
- (34) PIPE UNDERDRAINS 4" (MODIFIED)
- (35) GROOVING FOR RECESSED PAVEMENT MARKING 5"
- (36) BITUMINOUS MATERIALS/AGGREGATE PRIME COAT
- (37) HOT-MIX ASPHALT DRIVEWAY PAVEMENT, 8"
- (38) AGGREGATE BASE COURSE, TYPE B 4"
- (39) AGGREGATE SUBGRADE 18"
- (40) AGGREGATE SUBGRADE 24"
- (41) GEOTECHNICAL FABRIC FOR GROUND STABILIZATION
- (42) HOT-MIX ASPHALT BINDER COURSE, IL-19.0, N90

NOTES:

1. BRIDGE OMISSION STA. 113+37.69 TO STA. 116+62.15
2. SEE ROADWAY AND INTERSECTION DETAILS FOR EXACT LOCATION OF PROFILE GRADE LINE
3. BRISBIN ROAD MEDIAN CURB SHALL BE A DRY CURB (SLOPE IN THE SAME DIRECTION AS ADJACENT PAVEMENT IN ACCORDANCE WITH STANDARD 606001)
4. SEE PAVEMENT MARKING SHEETS FOR GROOVING LIMITS

FILE NAME =	USER NAME = .USER	DESIGNED - CGC	REVISED -	<b>STATE OF ILLINOIS DEPARTMENT OF TRANSPORTATION</b>	<b>BRISBIN ROAD TYPICAL SECTIONS</b>		F.A.U. RTE.	SECTION	COUNTY	TOTAL SHEETS	SHEET NO.
t:\1812\cadd\sheets\0366408-sht-typ.dgn		DRAWN - CGC	REVISED -		SCALE: NONE	SHEET NO. 11 OF 351 SHEETS	STA.	(32,47-4) HBK-4 & GIN	GRUNDY	351	11
PLOT SCALE = #SCALE#		CHECKED - AKK	REVISED -				TO STA.	CONTRACT NO. 66408			
PLOT DATE = 5/20/2010		DATE - 5/20/2010	REVISED -		ILLINOIS FED. AID PROJECT • FAI 80 & FAS 297 / FAU 392						