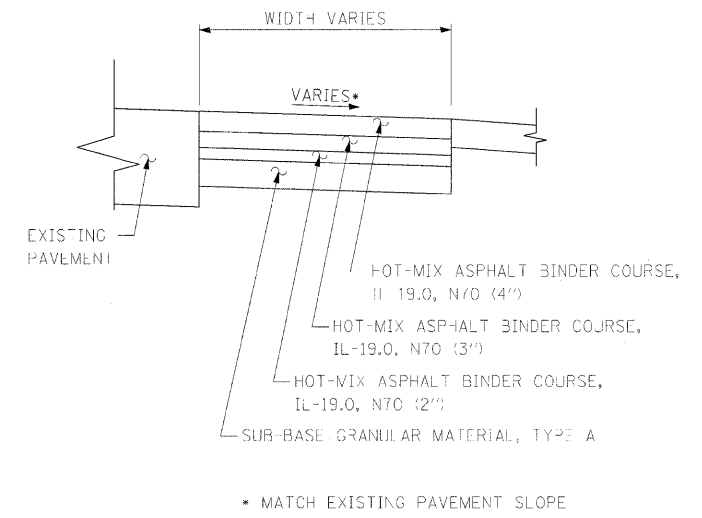


LEGEND:

- ① TEMPORARY PAVEMENT MARKING LINE, 4 INCHES (WHITE)
- ② TEMPORARY PAVEMENT MARKING LINE, 4 INCHES (DOUBLE YELLOW)
- ③ DRUM WITH STEADY BURNING LIGHT
- ④ DOUBLE VERTICAL PANELS (BACK TO BACK) WITH BI-DIRECTIONAL STEADY BURNING LIGHTS
- ⑤ TEMPORARY PAVEMENT (SEE DETAIL "A")
- ⑥ WORK ZONE
- ⑦ EXISTING PAVEMENT MARKING LINE
- ⑧ TEMPORARY CONCRETE BARRIER



FILE NAME =	USER NAME = .USER.	DESIGNED - JPW	REVISED -	STATE OF ILLINOIS DEPARTMENT OF TRANSPORTATION	MAINTENANCE OF TRAFFIC US-6 TYPICAL CROSS-SECTIONS		FAU 80 & FAS 297 / FAU 392		
t:\1812\CADD Sheets\0366408-shr-stag1.dgn	PLOT SCALE = #SCALE#	DRAWN - ECS	REVISED -		F.A.U. RTE.	SECTION	COUNTY	TOTAL SHEETS	SHEET NO.
	PLOT DATE = 5/20/2010	CHECKED - AKK	REVISED -		(32,47-4) HBK-4 & GIN)	GRUNDY	351	65	
		DATE - 5/20/2010	REVISED -		SCALE: NTS		SHEET NO. 65 OF 351 SHEETS		STA. TO STA.

ILLINOIS FED. AID PROJECT
 CONTRACT NO. 66408