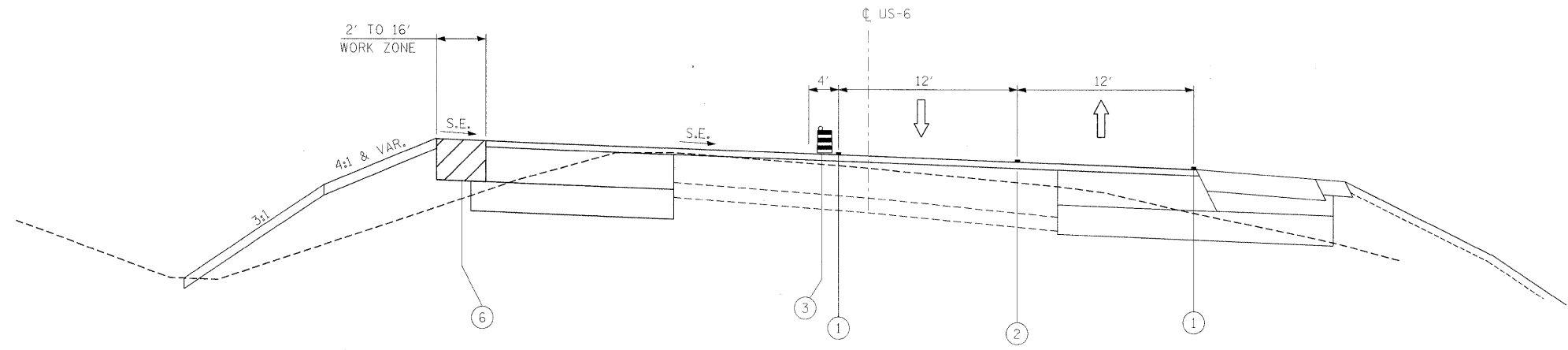


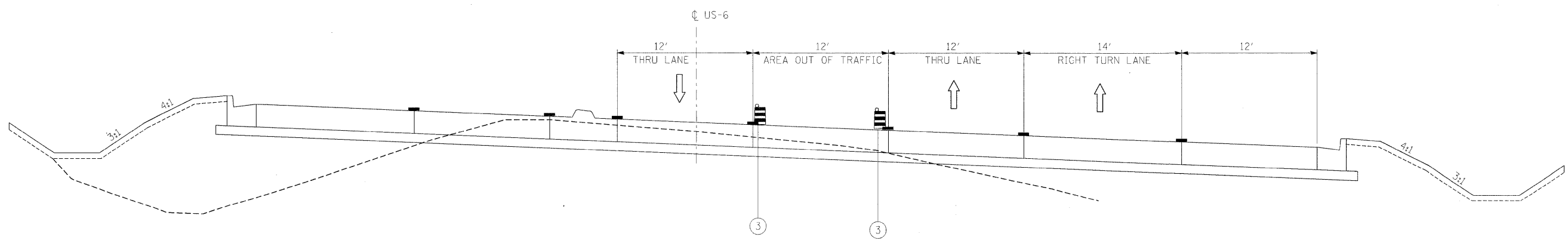
LEGEND:

- ① TEMPORARY PAVEMENT MARKING LINE, 4 INCHES (WHITE)
- ② TEMPORARY PAVEMENT MARKING LINE, 4 INCHES (DOUBLE YELLOW)
- ③ DRUM WITH STEADY BURNING LIGHT
- ④ DOUBLE VERTICAL PANELS (BACK TO BACK) WITH BI-DIRECTIONAL STEADY BURNING LIGHTS
- ⑤ TEMPORARY PAVEMENT
- ⑥ WORK ZONE
- ⑦ EXISTING PAVEMENT MARKING LINE
- ⑧ TEMPORARY CONCRETE BARRIER



US-6 STAGE 5

STA. 189+74.73 TO STA. 200+36.59
 STA. 207+14.40 TO STA. 215+03.29*
 *STA EQ. 212+70.73 BK = 213+09.62 AH)



US-6 STAGE 5

STA. 200+36.59 TO STA. 207+14.40

FILE NAME =	USER NAME = .USER.	DESIGNED - JPW	REVISED -	STATE OF ILLINOIS DEPARTMENT OF TRANSPORTATION	MAINTENANCE OF TRAFFIC US-6 TYPICAL CROSS-SECTIONS			F.A.U. RTE.	SECTION	COUNTY	TOTAL SHEETS	SHEET NO.
ts:\1812\CADD Sheets\0366408-shr-staging.dgn		DRAWN - ECS	REVISED -		SCALE: NTS	SHEET NO. 67 OF 351 SHEETS	STA.	TO STA.	(32,47-4) HBK-4 & C(IN)	GRUNDY	351	67
		CHECKED - AKK	REVISED -									
		DATE - 5/20/2010	REVISED -									
								CONTRACT NO. 66408		ILLINOIS FED. AID PROJECT		

• FAI 80 & FAS 297 / FAU 392