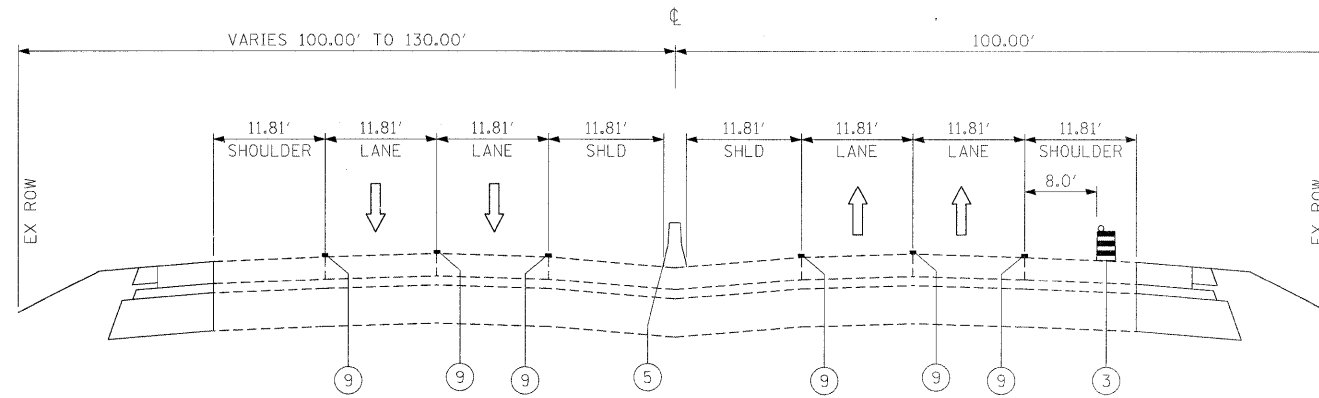


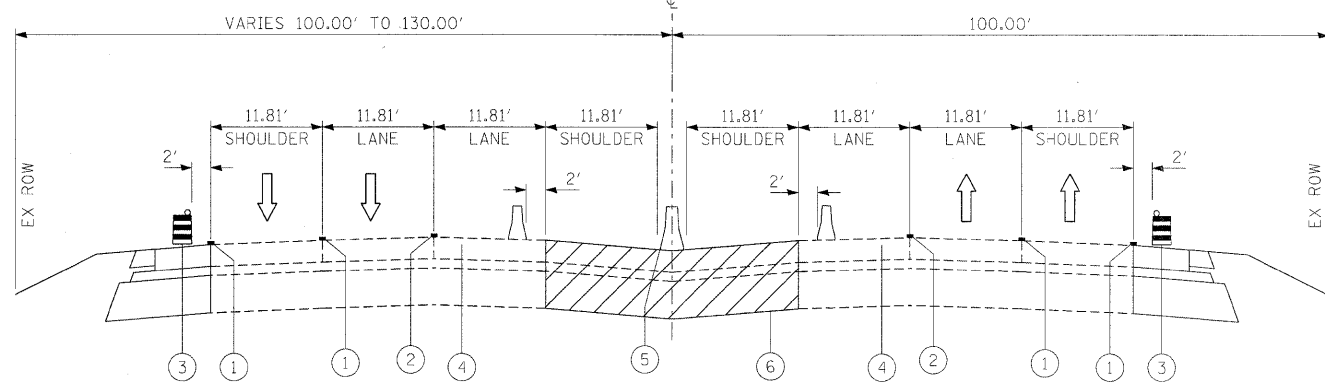
LEGEND:

- ① TEMPORARY PAVEMENT MARKING LINE, 4 INCHES (WHITE)
- ② TEMPORARY PAVEMENT MARKING LINE, 4 INCHES (YELLOW)
- ③ DRUM WITH STEADY BURNING LIGHT
- ④ TEMPORARY CONCRETE BARRIER
- ⑤ MEDIAN BARRIER
- ⑥ WORK ZONE
- ⑦ MEDIAN POSTS
- ⑧ IMPACT ATTENUATOR
- ⑨ EXISTING PAVEMENT MARKING LINE



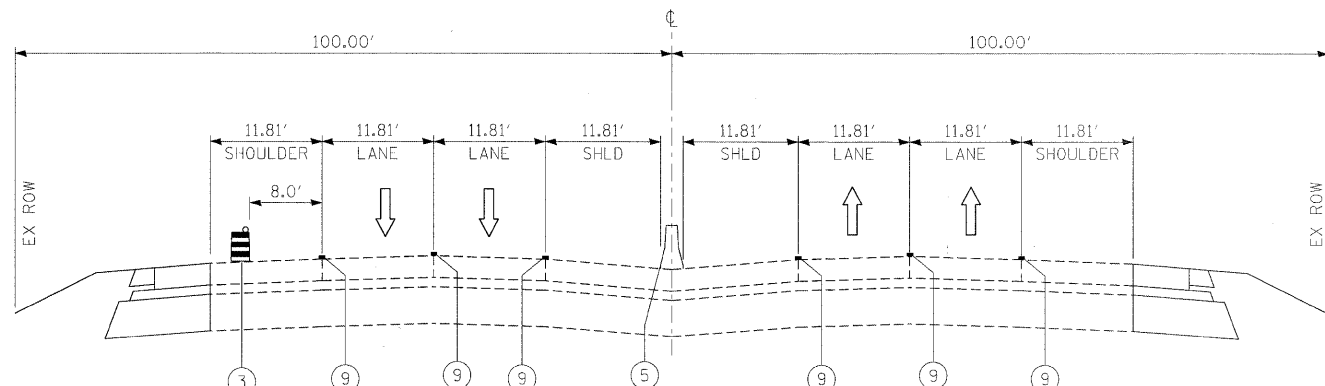
I-80 STAGE 5

STA. 1354+50.00 TO STA. 1387+00
 • PR SHOULDER STA 1361+00.00 TO STA 1384+04.74
 •• PR SHOULDER STA 1359+54.64 TO STA 1384+83.10



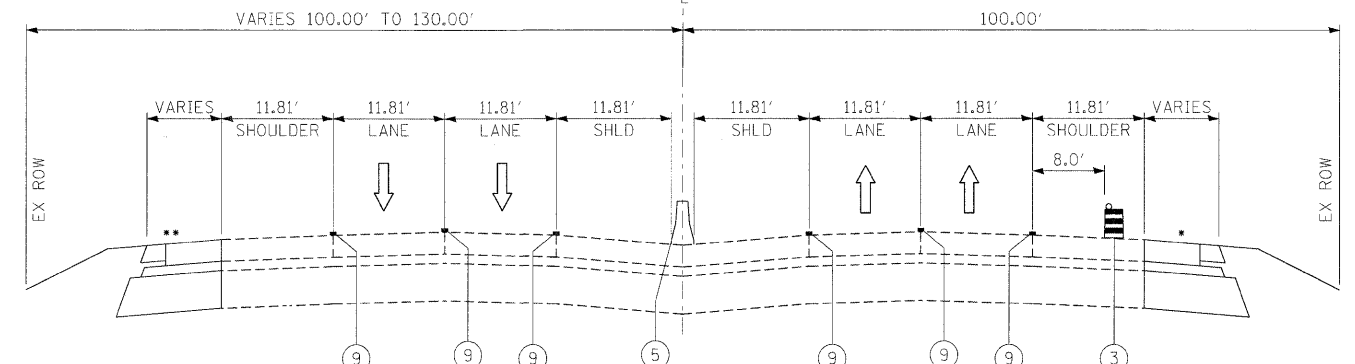
I-80 STAGE 5

STA. 1394+33.42 TO STA. 1400+00.00



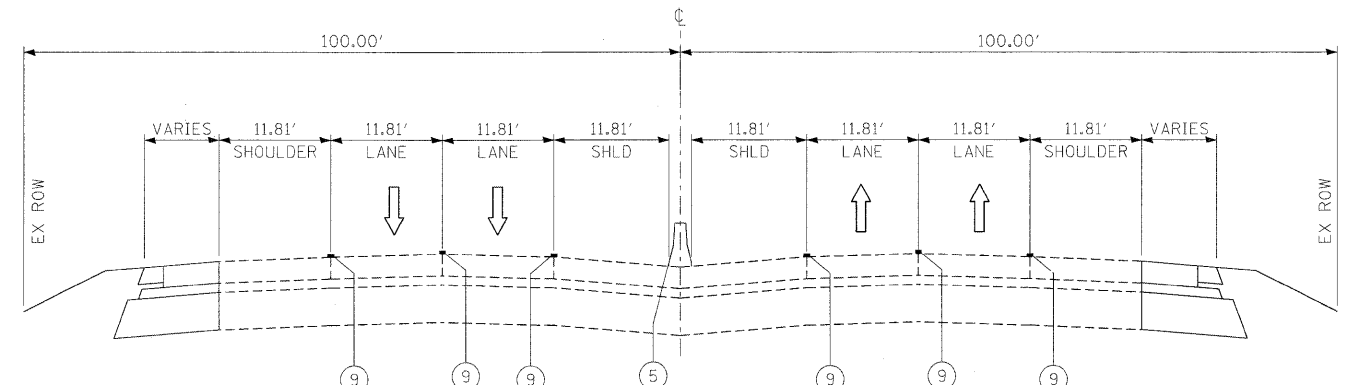
I-80 STAGE 5

STA. 1408+00.00 TO STA. 1439+00.00
 • PR SHOULDER 1412+30.72 TO STA 1437+00
 •• PR SHOULDER 1410+74.08 TO STA 1433+69.81



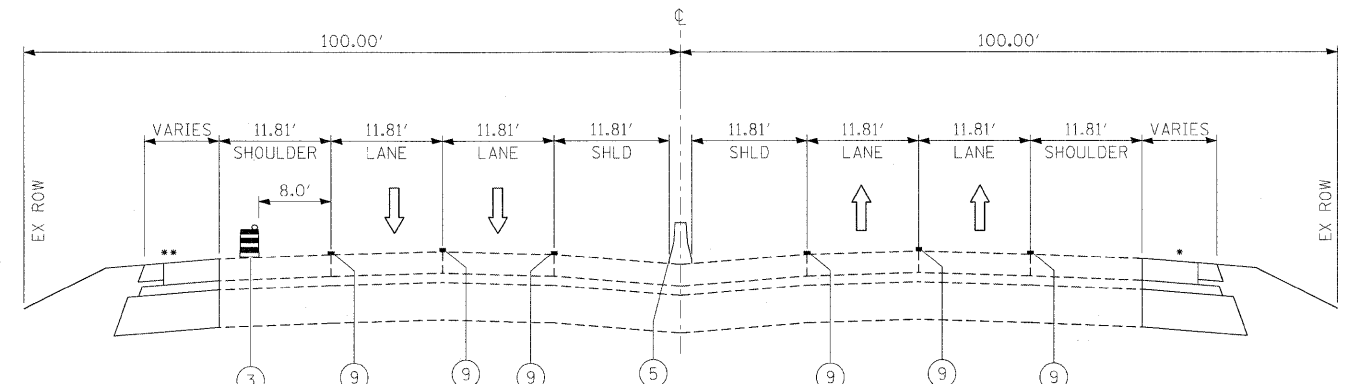
I-80 STAGE 7

STA. 1354+50.00 TO STA. 1387+00
 • PR SHOULDER STA 1361+00.00 TO STA 1384+04.74
 •• PR SHOULDER STA 1359+54.64 TO STA 1384+83.10



I-80 STAGE 7

STA. 1408+00.00 TO STA. 1439+00.00



I-80 STAGE 7

STA. 1408+00.00 TO STA. 1439+00.00
 • PR SHOULDER 1412+30.72 TO STA 1437+00
 •• PR SHOULDER 1410+74.08 TO STA 1433+69.81

FILE NAME = t:\1812\CA00 Sheets\0366408-shr-staging.dgn	USER NAME = .USER.	DESIGNED - JPW	REVISED -	STATE OF ILLINOIS DEPARTMENT OF TRANSPORTATION	MAINTENANCE OF TRAFFIC I-80 TYPICAL CROSS-SECTIONS	F.A.U. RTE.	SECTION	COUNTY	TOTAL SHEETS	SHEET NO.
PLOT SCALE = #SCALE#	CHECKED - AKK	REVISOR -	REVISOR -			(32,47-4) HBK-4 & GIN	GRUNDY	351	72	
PLOT DATE = 5/20/2010	DATE - 5/20/2010	REVISOR -	REVISOR -			CONTRACT NO. 66408		ILLINOIS FED. AID PROJECT		
						SCALE: NTS	SHEET NO. 72 OF 351 SHEETS	STA. TO STA.		