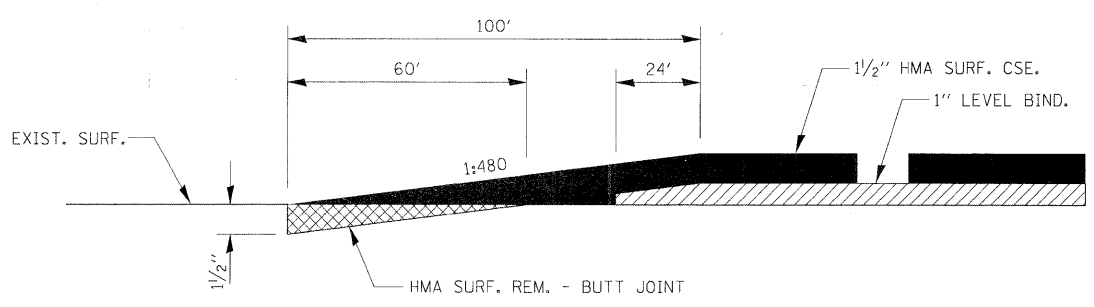


NOTE: TO BE USED AT ALL END SECTIONS

NOTE: PRC FLARED END SECTION SHOWN. TREATMENT SAME FOR OTHER END SECTIONS.

**DETAIL OF EROSION CONTROL BLANKET LINING AROUND END SECTION**

251-2

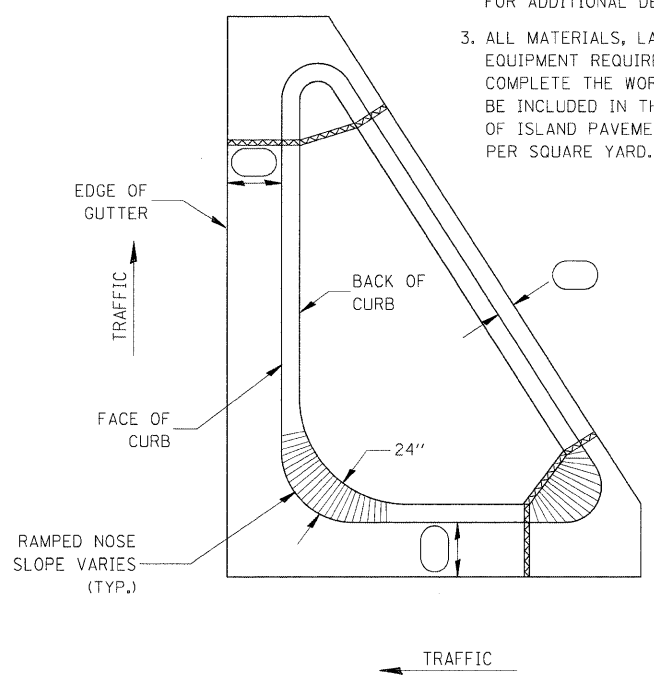


**BUTT JOINT DETAILS**

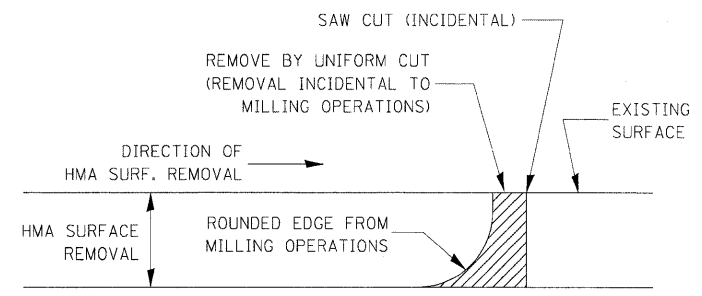
406-11

**GENERAL NOTES:**

1. THE CURB AND GUTTER CONFIGURATION SHALL BE M-4.24.
2. SEE STD. 606001 & AND 606301 FOR ADDITIONAL DETAILS.
3. ALL MATERIALS, LABOR, AND EQUIPMENT REQUIRED TO COMPLETE THE WORK SHALL BE INCLUDED IN THE COST OF ISLAND PAVEMENT (SPECIAL) PER SQUARE YARD.



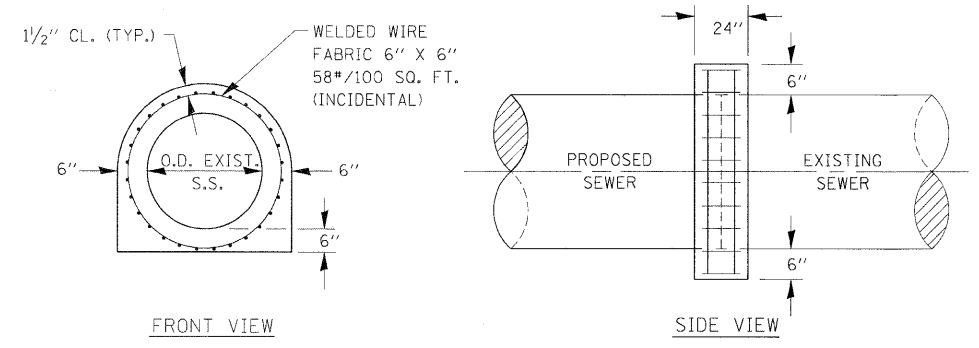
606-1



NOTE: WHEN MILLING OPERATIONS PRODUCE A ROUNDED EDGE, THEN A SAW CUT SHALL BE USED TO MANUFACTURE A PERPENDICULAR EDGE AS SHOWN IN THE DETAIL. THE ENGINEER SHALL BE THE SOLE JUDGE CONCERNING THE USE OF THIS DETAIL

**HMA DETAIL AT BUTT JOINTS**

406-8



**CONCRETE COLLAR FOR SEWER CONNECTION**

550-1

FILE NAME =	USER NAME = .USER.	DESIGNED - CGC	REVISED -	<b>STATE OF ILLINOIS DEPARTMENT OF TRANSPORTATION</b>	<b>DISTRICT DETAILS</b>			F.A.U. RTE.	SECTION	COUNTY	TOTAL SHEETS	SHEET NO.
t:\1812\cadd sheets\0366408-sht-detail.dgn		DRAWN - CGC	REVISED -					• (32,47-4) HKB-4 & G(N)	GRUNDY	351	155	
PLOT SCALE = #SCALE#		CHECKED - AKK	REVISED -		SCALE: AS NOTED	SHEET NO. 155 OF 351 SHEETS	STA.	TO STA.	CONTRACT NO. 66408			
PLOT DATE = 5/19/2010		DATE - 5/19/2010	REVISED -		ILLINOIS FED. AID PROJECT							